

## Operation Manual

### R-Series V SSI

Magnetostrictive Linear Position Sensors



**THE NEW GENERATION**

## Table of contents

<b>1. Introduction</b>	<b>4</b>
1.1 Purpose and use of this manual	4
1.2 Used symbols and warnings	4
<b>2. Safety instructions</b>	<b>4</b>
2.1 Intended use	4
2.2 Foreseeable misuse	4
2.3 Installation, commissioning and operation	5
2.4 Safety instructions for use in explosion-hazardous areas	5
2.5 Warranty	5
2.6 Return	5
<b>3. Identification</b>	<b>6</b>
3.1 Order code of Temposonics® RP5	6
3.2 Order code of Temposonics® RH5	8
3.3 Order code of Temposonics® RM5	10
3.4 Order code of Temposonics® RF5	12
3.5 Order code of Temposonics® RFV	14
3.6 Order code of Temposonics® RD5 (complete sensor “RD5 kit”)	16
3.7 Order code of Temposonics® RDV	19
3.8 Nameplate	21
3.9 Approvals	21
3.10 Scope of delivery	21
<b>4. Product description</b>	<b>22</b>
4.1 Functionality and system design	22
4.2 Installation and design of Temposonics® RP5	23
4.3 Installation and design of Temposonics® RH5	25
4.4 Installation and design of Temposonics® RM5	28
4.5 Installation and design of Temposonics® RF5	30
4.6 Installation and design of Temposonics® RFV	35
4.7 Installation and design of Temposonics® RD5	40
4.8 Installation and design of Temposonics® RDV	55
4.9 Magnet installation	61
4.10 Alignment of the magnet with the option “Internal linearization”	67
4.11 Replacement of base unit	69
4.12 Electrical connection	72
4.13 Frequently ordered accessories for Temposonics® RP5	74
4.14 Frequently ordered accessories for Temposonics® RH5	75
4.15 Frequently ordered accessories for Temposonics® RM5	76
4.16 Frequently ordered accessories for Temposonics® RF5	77
4.17 Frequently ordered accessories for Temposonics® RFV	79
4.18 Frequently ordered accessories for Temposonics® RD5	81
4.19 Frequently ordered accessories for Temposonics® RDV	83
4.20 Frequently ordered accessories for SSI output	85
<b>5. Commissioning</b>	<b>87</b>
5.1 Introduction	87
5.2 LED status	88
5.3 Programming and configuration	89

<b>6. Maintenance and troubleshooting</b> .....	<b>94</b>
6.1 Error conditions, troubleshooting.....	94
6.2 Maintenance .....	94
6.3 Repair.....	94
6.4 List of spare parts .....	94
6.5 Transport and storage .....	94
<b>7. Removal from service/dismantling</b> .....	<b>94</b>
<b>8. Technical data</b> .....	<b>95</b>
8.1 Technical data of Temposonics® RP5 .....	95
8.2 Technical data of Temposonics® RH5.....	97
8.3 Technical data of Temposonics® RM5 .....	99
8.4 Technical data of Temposonics® RF5.....	101
8.5 Technical data of Temposonics® RFV.....	103
8.6 Technical data of Temposonics® RD5.....	105
8.7 Technical data of Temposonics® RDV.....	107
<b>9. Appendix I – Safety Declaration</b> .....	<b>109</b>
<b>10. Appendix II – Cylinder port details</b> .....	<b>110</b>
<b>11. Glossary</b> .....	<b>111z</b>

## 1. Introduction

### 1.1 Purpose and use of this manual

Before starting the operation of Temposonics® position sensors, read this documentation thoroughly and follow the safety information. Keep this manual for future reference!

The content of this technical documentation and of its appendices is intended to provide information on mounting, installation and commissioning by qualified automation personnel <sup>1</sup> or instructed service technicians who are familiar with the project planning and dealing with Temposonics® sensors.

### 1.2 Used symbols and warnings

Warnings are intended for your personal safety and for avoidance of damage to the described product or connected devices. In this documentation, safety information and warnings to avoid danger that might affect the life and health of operating or service personnel or cause material damage are highlighted by the pictogram defined below.

Symbol	Meaning
<b>NOTICE</b>	This symbol is used to point to situations that may lead to material damage, but not to personal injury.

## 2. Safety instructions

### 2.1 Intended use

This product may be used only for the applications defined under item 1 and only in conjunction with the third-party devices and components recommended or approved by Temposonics. As a prerequisite of proper and safe operation the product requires correct transport, storage, mounting and commissioning and must be operated with utmost care.

- The sensor systems of all Temposonics® series are intended exclusively for measurement tasks encountered in industrial, commercial and laboratory applications. The sensors are considered as system accessories and must be connected to suitable evaluation electronics, e.g. a PLC, IPC, indicator or other electronic control unit.

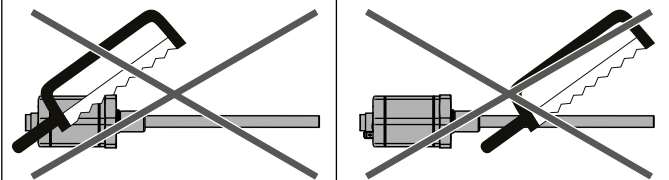
<sup>1/</sup> The term "qualified technical personnel" characterizes persons who:

- are familiar with the safety concepts of automation technology applicable to the particular project
- are competent in the field of electromagnetic compatibility (EMC)
- have received adequate training for commissioning and service operations

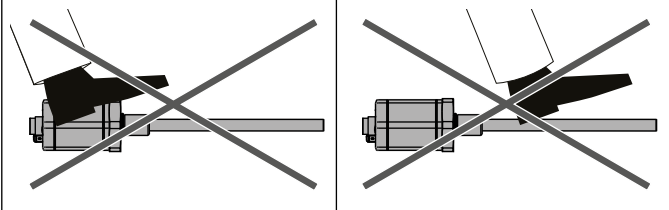
### 2.2 Foreseeable misuse

Foreseeable misuse	Consequence
Wrong sensor connection	The sensor will not work properly or can be damaged
Operate the sensor out of the operating temperature range	No signal output – the sensor can be damaged
Power supply is out of the defined range	Signal output is wrong/ no signal output/ the sensor will be damaged
Position measurement is influenced by an external magnetic field	Signal output is wrong
Cables are damaged	Short circuit – the sensor can be damaged/sensor does not respond
Spacers are missing/ installed in a wrong order	Error in position measurement
Wrong connection of ground/shield	Signal output is disturbed – the electronics can be damaged
Use of a magnet that is not specified by Temposonics	Error in position measurement
Sensor is exposed to overvoltage/ electrostatic discharge (e.g., welding work, electrostatically supported coating, etc.)	The sensor can be damaged

**Do not alter the sensor afterwards.**  
→ The sensor might be damaged.



**Do not step on the sensor.**  
→ The sensor might be damaged.



- are familiar with the operation of the device and know the information required for correct operation provided in the product documentation

### 2.3 Installation, commissioning and operation

The position sensors must be used only in technically safe condition. To maintain this condition and to ensure safe operation, installation, connection and service, work may be performed only by qualified technical personnel. If danger of injury to persons or of damage to operating equipment is caused by sensor failure or malfunction, additional safety measures such as plausibility checks, limit switches, EMERGENCY STOP systems, protective devices etc. are required. In the event of trouble, shut down the sensor and protect it against accidental operation.

#### Safety instructions for commissioning

To maintain the sensor's operability, it is mandatory to follow the instructions given below.

1. Protect the sensors against mechanical damage during installation and operation.
2. Do not open or dismantle the sensors.
3. Connect the sensors very carefully and pay attention to the polarity of connections and power supply.
4. Use only approved power supplies.
5. Ensure the sensor is operating within the defined limits for supply voltage, environmental conditions, etc..
6. Check the function of the sensors regularly and provide documentation of the checks.
7. Before applying power, ensure that nobody's safety is jeopardized by starting machines.

### 2.4 Safety instructions for use in explosion-hazardous areas

The sensors are not suitable for operation in explosion-hazardous areas.

### 2.5 Warranty

Temposonics grants a warranty period<sup>2</sup> for the position sensors and supplied accessories relating to material defects and faults that occur despite correct use in accordance with the intended application. The Temposonics obligation is limited to repair or replacement of any defective part of the unit. No warranty can be provided for defects that are due to improper use or above average stress of the product as well as for wear parts. Under no circumstances will Temposonics accept liability in the event of offense against the warranty rules, no matter if these have been assured or expected, even in case of fault or negligence of the company.

Temposonics explicitly excludes any further warranties. Neither the company's representatives, agents, dealers nor employees are authorized to increase or change the scope of warranty.

### 2.6 Return

For diagnostic purposes, the sensor can be returned to Temposonics or a repair facility explicitly authorized by Temposonics. Any shipment cost is the responsibility of the sender<sup>2</sup>. For a corresponding form, see chapter "9. Appendix I – Safety Declaration" on page 109.

#### NOTICE

When returning sensors, place protective caps on male and female connectors of the sensor. For pigtail cables, place the cable ends in a static shielding bag for electrostatic discharge (ESD) protection. Fill the outer packaging around the sensor completely to prevent damage during transport.

<sup>2/</sup> See also applicable Temposonics terms of sales and delivery on:  
[www.temposonics.com](http://www.temposonics.com)

### 3. Identification

#### 3.1 Order code of Temposonics® RP5

1	2	3	4	5	6	7	8	9	10	11	12	13	14	15	16	17	18	19	20	21	22	23	24	25	26	27	
R	P	5								0					1	S											
a			b	c	d					e	f			g	h	i	j	k	l	m	n	o					
																							optional				

<b>a</b>	<b>Sensor model</b>		
R	P	5	Profile

<b>b</b>	<b>Design</b>
G	Magnet slider backlash free (part no. 253 421), suitable for internal linearization
L	Block magnet L (part no. 403 448)
M	U-magnet OD33 (part no. 251 416-2), suitable for internal linearization
N	Magnet slider longer ball-jointed arm (part no. 252 183), suitable for internal linearization
O	No position magnet
S	Magnet slider joint at top (part no. 252 182), suitable for internal linearization
V	Magnet slider joint at front (part no. 252 184), suitable for internal linearization

<b>c</b>	<b>Mechanical options</b>
A	Standard
V	Fluorelastomer seals for the sensor electronics housing

<b>d</b>	<b>Stroke length</b>				
X	X	X	X	M	0025...6350 mm
<b>Standard stroke length (mm)</b>		<b>Ordering steps</b>			
25... 500 mm		25 mm			
500...2500 mm		50 mm			
2500...5000 mm		100 mm			
5000...6350 mm		250 mm			
X	X	X	X	U	001.0...250.0 in.
<b>Standard stroke length (in.)</b>		<b>Ordering steps</b>			
1... 20 in.		1.0 in.			
20...100 in.		2.0 in.			
100...200 in.		4.0 in.			
200...250 in.		10.0 in.			
Non-standard stroke lengths are available; must be encoded in 5 mm/0.1 in. increments.					

<b>e</b>	<b>Number of magnets</b>	
0	X	01...02 position(s) (1...2 magnet(s))

<b>f</b>	<b>Connection type</b>
----------	------------------------

<b>Connector</b>					
D	7	0	M16 male connector (7 pin)		
D	8	4	M12 male connector (8 pin)		

<b>Angled cable outlet</b>					
B	X	X	XX m/ft. PUR cable (part no. 530 175) B01...B30 (1...30 m/3...99 ft.) (Note the temperature range of the cable!) See "Frequently ordered accessories" for cable specifications		
E	X	X	XX m/ft. PVC cable (part no. 530 032) E01...E30 (1...30 m/3...99 ft.) See "Frequently ordered accessories" for cable specifications		
G	X	X	XX m/ft. FEP cable (part no. 530 157) G01...G30 (1...30 m/3...99 ft.) See "Frequently ordered accessories" for cable specifications		
L	X	X	XX m/ft. PUR cable (part no. 530 052) L01...L30 (1...30 m/3...99 ft.) (Note the temperature range of the cable!) See "Frequently ordered accessories" for cable specifications		
U	X	X	XX m/ft. Silicone cable (part no. 530 176) U01...U30 (1...30 m/3...99 ft.) See "Frequently ordered accessories" for cable specifications		

<b>Straight cable outlet</b>					
H	X	X	XX m/ft. PUR cable (part no. 530 052) H01...H30 (1...30 m/3...99 ft.) (Note the temperature range of the cable!) See "Frequently ordered accessories" for cable specifications		
P	X	X	XX m/ft. PUR cable (part no. 530 175) P01...P30 (1...30 m/3...99 ft.) (Note the temperature range of the cable!) See "Frequently ordered accessories" for cable specifications		
R	X	X	XX m/ft. PVC cable (part no. 530 032) R01...R30 (1...30 m/3...99 ft.) See "Frequently ordered accessories" for cable specifications		
T	X	X	XX m/ft. FEP cable (part no. 530 112) T01...T30 (1...30 m/3...99 ft.) See "Frequently ordered accessories" for cable specifications		

Encode in meters if using metric stroke length.  
Encode in feet if using US customary stroke length.

g	System
1	Standard

h	Output
S	SSI

i	Function
1	Position
2	Differential measurement (2 magnets and 1 output)
3	Velocity
4	Position and temperature in the sensor electronics housing; <b>NOTICE</b> In this case, only option 2 “24 bit” can be selected under l “Data length”.

j	Options
0	Standard
1	Internal linearization

k	Mode
1	Measuring direction forward, asynchronous mode
2	Measuring direction forward, synchronous mode 1
3	Measuring direction forward, synchronous mode 2
4	Measuring direction forward, synchronous mode 3
5	Measuring direction reverse, asynchronous mode
6	Measuring direction reverse, synchronous mode 1
7	Measuring direction reverse, synchronous mode 2
8	Measuring direction reverse, synchronous mode 3

l	Data length*
1	25 bit
2	24 bit
3	26 bit
A	24 bit + alarm bit + parity bit

m	Format
B	Binary
G	Gray

n	Resolution
1	5 µm
2	10 µm
3	50 µm
4	100 µm
5	20 µm
6	2 µm
7	0.1 µm*
8	1 µm
9	0.5 µm

o	Additional options (optional)
S 0 0 2	FIR filter (2 measurements)
S 0 0 4	FIR filter (4 measurements)
S 0 0 8	FIR filter (8 measurements)
S 0 0 A	No filter, error counter (4 cycles)
S 0 0 C	No filter, error counter (8 cycles)
S 0 0 D	No filter, error counter (10 cycles)
S 0 0 G	FIR filter (8 measurements), error counter (10 cycles)
S 0 0 J	IIR filter (filter grade 4)
S 0 0 K	IIR filter (filter grade 8)
S 0 0 N	IIR filter (filter grade 8), error counter (10 cycles)

**NOTICE**

- For the RP5, the magnet selected in b “Design” is included in the scope of delivery. Specify the number of magnets for your application. For differential measurements order the second magnet separately.
- The number of magnets is limited by the stroke length. The minimum allowed distance between magnets (i.e. front face of one to the front face of the next one) is 75 mm (3 in.).
- Use magnets of the same type for differential measurement.
- If the option for internal linearization in j “Options” is chosen, select a suitable magnet.

\*/ The stroke length of the sensor influences the choice of resolution and data length. See glossary under “Resolution and data length depending on stroke length”.

### 3.2 Order code of Temposonics® RH5

1	2	3	4	5	6	7	8	9	10	11	12	13	14	15	16	17	18	19	20	21	22	23	24	25	26	27			
R	H	5								0					1	S													
a			b		c		d					e		f			g	h	i	j	k	l	m	n	o				
optional																													

<b>a</b>	<b>Sensor model</b>		
R	H	5	Rod

<b>b</b>	<b>Design</b>
B	Base unit (only for replacement)
J	Threaded flange M22×1.5-6g (rod Ø 12.7 mm), stroke length: 25...5900 mm (1...232 in.)
M	Threaded flange M18×1.5-6g (standard)
S	Threaded flange ¾"-16 UNF-3A (standard)
T	Threaded flange ¾"-16 UNF-3A (with raised-face)

<b>c</b>	<b>Mechanical options</b>
A	Standard
B	Bushing on rod end (only for design »M«, »S« & »T«)
F	Flexible sensing element (only for design »B«, »M«, »S« & »T«)
M	Thread M4 at rod end (only for design »M«, »S« & »T«)
V	Fluorelastomer seals for the sensor electronics housing

<b>d</b>	<b>Stroke length</b>				
X	X	X	X	M	0025...7620 mm
<b>Standard stroke length (mm)</b>		<b>Ordering steps</b>			
25... 500 mm		5 mm			
500... 750 mm		10 mm			
750...1000 mm		25 mm			
1000...2500 mm		50 mm			
2500...5000 mm		100 mm			
5000...7620 mm		250 mm			
X	X	X	X	U	001.0...300.0 in.
<b>Standard stroke length (in.)</b>		<b>Ordering steps</b>			
1... 20 in.		0.2 in.			
20... 30 in.		0.4 in.			
30... 40 in.		1.0 in.			
40...100 in.		2.0 in.			
100...200 in.		4.0 in.			
200...300 in.		10.0 in.			
Non-standard stroke lengths are available; must be encoded in 5 mm/0.1 in. increments.					

<b>e</b>	<b>Number of magnets</b>	
0	X	01...02 position(s) (1...2 magnet(s))

<b>f</b>	<b>Connection type</b>		
<b>Connector</b>			
D	7	0	M16 male connector (7 pin)
D	8	4	M12 male connector (8 pin)
<b>Angled cable outlet</b>			
B	X	X	XX m/ft. PUR cable (part no. 530 175) B01...B30 (1...30 m/3...99 ft.) (Note the temperature range of the cable!) See "Frequently ordered accessories" for cable specifications
E	X	X	XX m/ft. PVC cable (part no. 530 032) E01...E30 (1...30 m/3...99 ft.) See "Frequently ordered accessories" for cable specifications
G	X	X	XX m/ft. FEP cable (part no. 530 157) G01...G30 (1...30 m/3...99 ft.) See "Frequently ordered accessories" for cable specifications
L	X	X	XX m/ft. PUR cable (part no. 530 052) L01...L30 (1...30 m/3...99 ft.) (Note the temperature range of the cable!) See "Frequently ordered accessories" for cable specifications
U	X	X	XX m/ft. Silicone cable (part no. 530 176) U01...U30 (1...30 m/3...99 ft.) See "Frequently ordered accessories" for cable specifications
<b>Straight cable outlet</b>			
H	X	X	XX m/ft. PUR cable (part no. 530 052) H01...H30 (1...30 m/3...99 ft.) (Note the temperature range of the cable!) See "Frequently ordered accessories" for cable specifications
P	X	X	XX m/ft. PUR cable (part no. 530 175) P01...P30 (1...30 m/3...99 ft.) (Note the temperature range of the cable!) See "Frequently ordered accessories" for cable specifications
R	X	X	XX m/ft. PVC cable (part no. 530 032) R01...R30 (1...30 m/3...99 ft.) See "Frequently ordered accessories" for cable specifications
T	X	X	XX m/ft. FEP cable (part no. 530 112) T01...T30 (1...30 m/3...99 ft.) See "Frequently ordered accessories" for cable specifications
Encode in meters if using metric stroke length. Encode in feet if using US customary stroke length.			

g	System
1	Standard

h	Output
S	SSI

i	Function
1	Position
2	Differential measurement (2 magnets and 1 output)
3	Velocity
4	Position and temperature in the sensor electronics housing; <b>NOTICE</b> In this case, only option 2 "24 bit" can be selected under 1 "Data length".

j	Options
0	Standard
1	Internal linearization

k	Mode
1	Measuring direction forward, asynchronous mode
2	Measuring direction forward, synchronous mode 1
3	Measuring direction forward, synchronous mode 2
4	Measuring direction forward, synchronous mode 3
5	Measuring direction reverse, asynchronous mode
6	Measuring direction reverse, synchronous mode 1
7	Measuring direction reverse, synchronous mode 2
8	Measuring direction reverse, synchronous mode 3

l	Data length*
1	25 bit
2	24 bit
3	26 bit
A	24 bit + alarm bit + parity bit

m	Format
B	Binary
G	Gray

n	Resolution
1	5 µm
2	10 µm
3	50 µm
4	100 µm
5	20 µm
6	2 µm
7	0.1 µm*
8	1 µm
9	0.5 µm

o	Additional options (optional)
S 0 0 2	FIR filter (2 measurements)
S 0 0 4	FIR filter (4 measurements)
S 0 0 8	FIR filter (8 measurements)
S 0 0 A	No filter, error counter (4 cycles)
S 0 0 C	No filter, error counter (8 cycles)
S 0 0 D	No filter, error counter (10 cycles)
S 0 0 G	FIR filter (8 measurements), error counter (10 cycles)
S 0 0 J	IIR filter (filter grade 4)
S 0 0 K	IIR filter (filter grade 8)
S 0 0 N	IIR filter (filter grade 8), error counter (10 cycles)

**NOTICE**

- Specify the number of magnets for your application and order the magnets separately.
- The number of magnets is limited by the stroke length. The minimum allowed distance between magnets (i.e. front face of one to the front face of the next one) is 75 mm (3 in.).
- Use magnets of the same type for differential measurement.
- If the option for internal linearization in j "Options" is chosen, select a suitable magnet.
- The internal linearization 1 in j "Options" is not available with the flexible sensing element F in c "Mechanical options".

\*/ The stroke length of the sensor influences the choice of resolution and data length. See glossary under "Resolution and data length depending on stroke length".

### 3.3 Order code of Temposonics® RM5

1	2	3	4	5	6	7	8	9	10	11	12	13	14	15	16	17	18	19	20	21	22	23	24	25	26	27	
R	M	5		A						0					1	S											
a			b	c	d					e	f			g	h	i	j	k	l	m	n	o					

optional

<b>a</b>	<b>Sensor model</b>
R M 5	Super shield housing

<b>b</b>	<b>Design</b>
B	Base unit (only for replacement/only with connection type D84)
M	Threaded flange M18×1.5-6g (standard)
S	Threaded flange ¾"-16 UNF-3A (standard)

<b>c</b>	<b>Mechanical options</b>
A	Standard

<b>d</b>	<b>Stroke length</b>
X X X X M	0025...7615 mm
<b>Standard stroke length (mm)</b>	<b>Ordering steps</b>
25... 500 mm	5 mm
500... 750 mm	10 mm
750...1000 mm	25 mm
1000...2500 mm	50 mm
2500...5000 mm	100 mm
5000...7615 mm	250 mm

X X X X U	001.0...299.8 in.
<b>Standard stroke length (in.)</b>	<b>Ordering steps</b>
1... 20 in.	0.2 in.
20... 30 in.	0.4 in.
30... 40 in.	1.0 in.
40...100 in.	2.0 in.
100...200 in.	4.0 in.
200...299.8 in.	10.0 in.

Non-standard stroke lengths are available; must be encoded in 5 mm/0.1 in. increments.

<b>e</b>	<b>Number of magnets</b>
0 X	01...02 position(s) (1...2 magnet(s))

<b>f</b>	<b>Connection type</b>
D 8 4	M12 male connector (8 pin) (only for RM5-B)
H X X	XX m/ft. PUR cable (part no. 530 052) H01...H30 (1...30 m/3...99 ft.) (Note the temperature range of the cable!) See "Frequently ordered accessories" for cable specifications
P X X	XX m/ft. PUR cable (part no. 530 175) P01...P30 (1...30 m/3...99 ft.) (Note the temperature range of the cable!) See "Frequently ordered accessories" for cable specifications
R X X	XX m/ft. PVC cable (part no. 530 032) R01...R30 (1...30 m/3...99 ft.) See "Frequently ordered accessories" for cable specifications
T X X	XX m/ft. FEP cable (part no. 530 112) T01...T30 (1...30 m/3...99 ft.) See "Frequently ordered accessories" for cable specifications

<b>g</b>	<b>System</b>
1	Standard

<b>h</b>	<b>Output</b>
S	SSI

<b>i</b>	<b>Function</b>
1	Position
2	Differential measurement (2 magnets and 1 output)
3	Velocity
4	Position and temperature in the sensor electronics housing; <b>NOTICE</b> In this case, only option <b>2</b> "24 bit" can be selected under <b>l</b> "Data length".

<b>j</b>	<b>Options</b>
0	Standard
1	Internal linearization

k	Mode
1	Measuring direction forward, asynchronous mode
2	Measuring direction forward, synchronous mode 1
3	Measuring direction forward, synchronous mode 2
4	Measuring direction forward, synchronous mode 3
5	Measuring direction reverse, asynchronous mode
6	Measuring direction reverse, synchronous mode 1
7	Measuring direction reverse, synchronous mode 2
8	Measuring direction reverse, synchronous mode 3

l	Data length*
1	25 bit
2	24 bit
3	26 bit
A	24 bit + alarm bit + parity bit

m	Format
B	Binary
G	Gray

n	Resolution
1	5 µm
2	10 µm
3	50 µm
4	100 µm
5	20 µm
6	2 µm
7	0.1 µm*
8	1 µm
9	0.5 µm

o	Additional options (optional)
S 0 0 2	FIR filter (2 measurements)
S 0 0 4	FIR filter (4 measurements)
S 0 0 8	FIR filter (8 measurements)
S 0 0 A	No filter, error counter (4 cycles)
S 0 0 C	No filter, error counter (8 cycles)
S 0 0 D	No filter, error counter (10 cycles)
S 0 0 G	FIR filter (8 measurements), error counter (10 cycles)
S 0 0 J	IIR filter (filter grade 4)
S 0 0 K	IIR filter (filter grade 8)
S 0 0 N	IIR filter (filter grade 8), error counter (10 cycles)

#### NOTICE

- Specify the number of magnets for your application and order the magnets separately.
- The number of magnets is limited by the stroke length. The minimum allowed distance between magnets (i.e. front face of one to the front face of the next one) is 75 mm (3 in.).
- Use magnets of the same type for differential measurement.
- If the option for internal linearization in **i** "Options" is chosen, select a suitable magnet.

\* / The stroke length of the sensor influences the choice of resolution and data length. See glossary under "Resolution and data length depending on stroke length".



g	System
1	Standard

h	Output
S	SSI

i	Function
1	Position
2	Differential measurement (2 magnets and 1 output)
3	Velocity
4	Position and temperature in the sensor electronics housing; <b>NOTICE</b> In this case, only option <b>2</b> "24 bit" can be selected under <b>l</b> "Data length".

j	Options
0	Standard

k	Mode
1	Measuring direction forward, asynchronous mode
2	Measuring direction forward, synchronous mode 1
3	Measuring direction forward, synchronous mode 2
4	Measuring direction forward, synchronous mode 3
5	Measuring direction reverse, asynchronous mode
6	Measuring direction reverse, synchronous mode 1
7	Measuring direction reverse, synchronous mode 2
8	Measuring direction reverse, synchronous mode 3

l	Data length*
1	25 bit
2	24 bit
3	26 bit
A	24 bit + alarm bit + parity bit

m	Format
B	Binary
G	Gray

n	Resolution
1	5 µm
2	10 µm
3	50 µm
4	100 µm
5	20 µm
6	2 µm
7	0.1 µm*
8	1 µm*
9	0.5 µm*

o	Additional options (optional)
S 0 0 2	FIR filter (2 measurements)
S 0 0 4	FIR filter (4 measurements)
S 0 0 8	FIR filter (8 measurements)
S 0 0 A	No filter, error counter (4 cycles)
S 0 0 C	No filter, error counter (8 cycles)
S 0 0 D	No filter, error counter (10 cycles)
S 0 0 G	FIR filter (8 measurements), error counter (10 cycles)
S 0 0 J	IIR filter (filter grade 4)
S 0 0 K	IIR filter (filter grade 8)
S 0 0 N	IIR filter (filter grade 8), error counter (10 cycles)

**NOTICE**

- Specify the number of magnets for your application and order the magnets separately.
- The number of magnets is limited by the stroke length. The minimum allowed distance between magnets (i.e. front face of one to the front face of the next one) is 75 mm (3 in.).
- Use magnets of the same type for differential measurement.
- The sensor is without rod assembly. Always insert the flexible sensor rod in a support tube (e.g. sensor rod HD/HL/HP or HFP profile).

\*/ The stroke length of the sensor influences the choice of resolution and data length. See glossary under "Resolution and data length depending on stroke length".



g	System
1	Standard

h	Output
S	SSI

i	Function
1	Position
2	Differential measurement (2 magnets and 1 output)
3	Velocity
4	Position and temperature in the sensor electronics housing; <b>NOTICE</b> In this case, only option <b>2</b> “24 bit” can be selected under <b>l</b> “Data length”.

j	Options
0	Standard

k	Mode
1	Measuring direction forward, asynchronous mode
2	Measuring direction forward, synchronous mode 1
3	Measuring direction forward, synchronous mode 2
4	Measuring direction forward, synchronous mode 3
5	Measuring direction reverse, asynchronous mode
6	Measuring direction reverse, synchronous mode 1
7	Measuring direction reverse, synchronous mode 2
8	Measuring direction reverse, synchronous mode 3

l	Data length*
1	25 bit
2	24 bit
3	26 bit
A	24 bit + alarm bit + parity bit

m	Format
B	Binary
G	Gray

n	Resolution
1	5 µm
2	10 µm
3	50 µm
4	100 µm
5	20 µm
6	2 µm
7	0.1 µm*
8	1 µm*
9	0.5 µm*

o	Additional options (optional)
S 0 0 2	FIR filter (2 measurements)
S 0 0 4	FIR filter (4 measurements)
S 0 0 8	FIR filter (8 measurements)
S 0 0 A	No filter, error counter (4 cycles)
S 0 0 C	No filter, error counter (8 cycles)
S 0 0 D	No filter, error counter (10 cycles)
S 0 0 G	FIR filter (8 measurements), error counter (10 cycles)
S 0 0 J	IIR filter (filter grade 4)
S 0 0 K	IIR filter (filter grade 8)
S 0 0 N	IIR filter (filter grade 8), error counter (10 cycles)

**NOTICE**

- Specify the number of magnets for your application and order the magnets separately.
- The number of magnets is limited by the stroke length. The minimum allowed distance between magnets (i.e. front face of one to the front face of the next one) is 75 mm (3 in.).
- Use magnets of the same type for differential measurement.
- RFV-B/M/S are without rod assembly. Always insert the flexible sensor rod in a support tube (e.g. sensor rod HD/HL/HP or HFP profile).

\* / The stroke length of the sensor influences the choice of resolution and data width. See glossary under “Resolution and data width depending on stroke length”.

### 3.6 Order code of Temposonics® RD5 (complete sensor “RD5 kit”)

1	2	3	4	5	6	7	8	9	10	11	12	13	14	15	16	17	18	19	20	21	22	23	24	25	26	27	28	29	30	31	32	33	34	
R	D	5	K														0					1	S		0									
a			b	c	d				e	f				g	h	i				j	k	l	m	n	o	p	q	r						

optional

a	Sensor model
R D 5	Detached sensor electronics

b	Sensor component
K	Kit includes both sensor rod and sensor electronics housing

c	Design
C	Threaded flange M18×1.5-6g (A/F 46)
D	Threaded flange ¾"-16 UNF-3A (A/F 46)
M	Threaded flange M18×1.5-6g (A/F 25)
S	Pressure fit flange Ø 26.9 mm f6
T	Threaded flange ¾"-16 UNF-3A (A/F 25)

d	Sensor rod cable type and length
J X X X X	FEP cable, length in centimeters (range 0007...2000 cm). See historical available*, or select length from: 0020, 0030, 0080, 0300, 0500, 1000, 1500 or 2000 cm.
K X X X X	PUR cable, length in centimeters (range 0007...0115 cm). See historical available*, or select length from: 0020, 0030 or 0080 cm.
W X X X X	6 single wires, length in centimeters (range 0007...0050 cm). Select length from: 0007, 0010, 0015, 0020, 0030, 0040 or 0050 cm.

\*Historical lengths available:

0007 cm	0023 cm	0040 cm	0115 cm
0010 cm	0025 cm	0060 cm	
0017 cm	0035 cm	0100 cm	

Non-standard lengths for cable/wires are available; must be encoded in 1 cm increments and within the specified range

e	Sensor rod connector type
E	Flat connector (maximum cable length on the sensor rod: 50 cm)
G	M12 connector (only for sensor rod cable type »J« and »K«)
S	M16 connector (only for sensor rod cable type »J« and »K«)
W	M12 square panel mount connector (only for sensor rod cable type »W«) Requires RD5-C joining cable (ordered separately)

f	Stroke length
X X X X M	Flange »S«: 0025...2540 mm Flange »C«, »D«, »M«, »T«: 0025...5080 mm

Stroke length (mm)	Ordering steps
25... 500 mm	5 mm
500... 750 mm	10 mm
750...1000 mm	25 mm
1000...2500 mm	50 mm
2500...5080 mm	100 mm

X X X X U	Flange »S«: 001.0...100.0 in. Flange »C«, »D«, »M«, »T«: 001.0...200.0 in.
-----------	---

Stroke length (in.)	Ordering steps
1... 20 in.	0.2 in.
20... 30 in.	0.4 in.
30... 40 in.	1.0 in.
40...100 in.	2.0 in.
100...200 in.	4.0 in.

Non-standard stroke lengths are available; must be encoded in 5 mm/0.1 in. increments

g	Sensor electronics mounting block with mating connector
B	Classic mounting block with bottom connection and flat mating connector (only for sensor rod connector type »E«)
E	Compact mounting block with bottom connection and flat mating connector (only for sensor rod connector type »E«)
G	Compact mounting block with side M12 mating connector (only for sensor rod connector type »G« and »W«)
S	Classic mounting block with side M16 mating connector (only for sensor rod connector type »S«)

h	Number of magnets
0 X	01...02 position(s) (1...2 magnet(s))

i		Connection type
<b>Connector</b>		
<b>D</b>	<b>7</b>	<b>0</b> M16 male connector (7 pin)
<b>D</b>	<b>8</b>	<b>4</b> M12 male connector (8 pin)
<b>Angled cable outlet</b>		
<b>B</b>	<b>X</b>	<b>X</b> XX m/ft. PUR cable (part no. 530 175) B01...B30 (1...30 m)/ B03...B99 (3...99 ft.) (Note the temperature range of the cable!) See "Frequently ordered accessories" for cable specifications
<b>E</b>	<b>X</b>	<b>X</b> XX m/ft. PVC cable (part no. 530 032) E01...E30 (1...30 m)/ E03...E99 (3...99 ft.) See "Frequently ordered accessories" for cable specifications
<b>G</b>	<b>X</b>	<b>X</b> XX m/ft. FEP cable (part no. 530 157) G01...G30 (1...30 m)/ G03...G99 (3...99 ft.) See "Frequently ordered accessories" for cable specifications
<b>L</b>	<b>X</b>	<b>X</b> XX m/ft. PUR cable (part no. 530 052) L01...L30 (1...30 m)/L03...L99 (3...99 ft.) (Note the temperature range of the cable!) See "Frequently ordered accessories" for cable specifications
<b>U</b>	<b>X</b>	<b>X</b> XX m/ft. Silicone cable (part no. 530 176) U01...U30 (1...30 m)/U03...U99 (3...99 ft.) See "Frequently ordered accessories" for cable specifications
<b>Straight cable outlet</b>		
<b>H</b>	<b>X</b>	<b>X</b> XX m/ft. PUR cable (part no. 530 052) H01...H30 (1...30 m)/H03...H99 (3...99 ft.) (Note the temperature range of the cable!) See "Frequently ordered accessories" for cable specifications
<b>P</b>	<b>X</b>	<b>X</b> XX m/ft. PUR cable (part no. 530 175) P01...P30 (1...30 m)/P03...P99 (3...99 ft.) (Note the temperature range of the cable!) See "Frequently ordered accessories" for cable specifications
<b>R</b>	<b>X</b>	<b>X</b> XX m/ft. PVC cable (part no. 530 032) R01...R30 (1...30 m)/R03...R99 (3...99 ft.) See "Frequently ordered accessories" for cable specifications
<b>T</b>	<b>X</b>	<b>X</b> XX m/ft. FEP cable (part no. 530 112) T01...T30 (1...30 m)/T03...T99 (3...99 ft.) See "Frequently ordered accessories" for cable specifications
Encode in meters if using metric stroke length. Encode in feet if using US customary stroke length.		
<b>j System</b>		
<b>1</b>	Standard	

k		Output
<b>S</b>	SSI	
<b>l Function</b>		
<b>1</b>	Position	
<b>2</b>	Differential measurement (2 magnets and 1 output)	
<b>3</b>	Velocity	
<b>4</b>	Position and temperature in the sensor electronics housing; <b>NOTICE</b> In this case, only option <b>2</b> "24 bit" can be selected under <b>o</b> "Data length".	
<b>m Options</b>		
<b>0</b>	Standard	
<b>n Mode</b>		
<b>1</b>	Measuring direction forward, asynchronous mode	
<b>2</b>	Measuring direction forward, synchronous mode 1	
<b>3</b>	Measuring direction forward, synchronous mode 2	
<b>4</b>	Measuring direction forward, synchronous mode 3	
<b>5</b>	Measuring direction reverse, asynchronous mode	
<b>6</b>	Measuring direction reverse, synchronous mode 1	
<b>7</b>	Measuring direction reverse, synchronous mode 2	
<b>8</b>	Measuring direction reverse, synchronous mode 3	
<b>o Data length*</b>		
<b>1</b>	25 bit	
<b>2</b>	24 bit	
<b>3</b>	26 bit	
<b>A</b>	24 bit + alarm bit + parity bit	
<b>p Format</b>		
<b>B</b>	Binary	
<b>G</b>	Gray	

\*/ The stroke length of the sensor influences the choice of resolution and data length.  
See glossary under "Resolution and data length depending on stroke length".

q	Resolution
1	5 µm
2	10 µm
3	50 µm
4	100 µm
5	20 µm
6	2 µm
7	0.1 µm*
8	1 µm
9	0.5 µm

r	Additional options (optional)			
S	0	0	2	FIR filter (2 measurements)
S	0	0	4	FIR filter (4 measurements)
S	0	0	8	FIR filter (8 measurements)
S	0	0	A	No filter, error counter (4 cycles)
S	0	0	C	No filter, error counter (8 cycles)
S	0	0	D	No filter, error counter (10 cycles)
S	0	0	G	FIR filter (8 measurements), error counter (10 cycles)
S	0	0	J	IIR filter (filter grade 4)
S	0	0	K	IIR filter (filter grade 8)
S	0	0	N	IIR filter (filter grade 8), error counter (10 cycles)

**NOTICE**

- Specify the number of magnets for your application and order the magnets separately.
- The number of magnets is limited by the stroke length.  
The minimum allowed distance between magnets (i.e. front face of one to the front face of the next one) is 75 mm (3 in.).
- Use magnets of the same type for differential measurement.

\* / The stroke length of the sensor influences the choice of resolution and data length.  
See glossary under "Resolution and data length depending on stroke length".

### 3.7 Order code of Temposonics® RDV

1	2	3	4	5	6	7	8	9	10	11	12	13	14	15	16	17	18	19	20	21	22	23	24	25	26	27	
R	D	V								0					1	S											
a			b	c	d					e		f			g	h	i	j	k	l	m	n	o				

optional

a	Design
R D V	Detached sensor electronics "classic"

b	Design
C	Threaded flange M18×1.5-6g (A/F 46)
D	Threaded flange ¾"-16 UNF-3A (A/F 46)
M	Threaded flange M18×1.5-6g (A/F 24)
S	Pressure fit flange Ø 26.9 mm f6
T	Threaded flange ¾"-16 UNF-3A (A/F 23)

c	Mechanical options
<b>For side cable entry</b>	
A	PUR cable with M16 connector, 250 mm length
B	PUR cable with M16 connector, 400 mm length
C	PUR cable with M16 connector, 600 mm length
<b>For bottom cable entry</b>	
2	Single wires with flat connector, 65 mm length
4	Single wires with flat connector, 170 mm length
5	Single wires with flat connector, 230 mm length
6	Single wires with flat connector, 350 mm length

d	Stroke length
X X X X M	Flange »S«: 0025...2540 mm Flange »C«, »D«, »M«, »T«: 0025...5080 mm
Stroke length (mm)	Ordering steps
25... 500 mm	5 mm
500... 750 mm	10 mm
750...1000 mm	25 mm
1000...2500 mm	50 mm
2500...5080 mm	100 mm
X X X X U	Flange »S«: 001.0...100.0 in. Flange »C«, »D«, »M«, »T«: 001.0...200.0 in.
Stroke length (in.)	Ordering steps
1... 20 in.	0.2 in.
20... 30 in.	0.4 in.
30... 40 in.	1.0 in.
40...100 in.	2.0 in.
100...200 in.	4.0 in.
Non standard stroke lengths are available; must be encoded in 5 mm/0.1 in. increments	

e	Number of magnets
0 X	01...02 position(s) (1...2 magnet(s))

f	Connection type
<b>Connector</b>	
D 7 0	M16 male connector (7 pin)
D 8 4	M12 male connector (8 pin)
<b>Angled cable outlet</b>	
B X X	XX m/ft. PUR cable (part no. 530 175) B01...B30 (1...30 m/3...99 ft.) (Note the temperature range of the cable!) See "Frequently ordered accessories" for cable specifications
E X X	XX m/ft. PVC cable (part no. 530 032) E01...E30 (1...30 m/3...99 ft.) See "Frequently ordered accessories" for cable specifications
G X X	XX m/ft. FEP cable (part no. 530 157) G01...G30 (1...30 m/3...99 ft.) See "Frequently ordered accessories" for cable specifications
L X X	XX m/ft. PUR cable (part no. 530 052) L01...L30 (1...30 m/3...99 ft.) (Note the temperature range of the cable!) See "Frequently ordered accessories" for cable specifications
U X X	XX m/ft. Silicone cable (part no. 530 176) U01...U30 (1...30 m/3...99 ft.) See "Frequently ordered accessories" for cable specifications
<b>Straight cable outlet</b>	
H X X	XX m/ft. PUR cable (part no. 530 052) H01...H30 (1...30 m/3...99 ft.) (Note the temperature range of the cable!) See "Frequently ordered accessories" for cable specifications
P X X	XX m/ft. PUR cable (part no. 530 175) P01...P30 (1...30 m/3...99 ft.) (Note the temperature range of the cable!) See "Frequently ordered accessories" for cable specifications
R X X	XX m/ft. PVC cable (part no. 530 032) R01...R30 (1...30 m/3...99 ft.) See "Frequently ordered accessories" for cable specifications
T X X	XX m/ft. FEP cable (part no. 530 112) T01...T30 (1...30 m/3...99 ft.) See "Frequently ordered accessories" for cable specifications
Encode in meters if using metric stroke length. Encode in feet if using US customary stroke length.	

g	System
1	Standard

h	Output
S	SSI

i	Function
1	Position
2	Differential measurement (2 magnets and 1 output)
3	Velocity
4	Position and temperature in the sensor electronics housing; <b>NOTICE</b> In this case, only option 2 "24 bit" can be selected under l "Data length".

j	Options
0	Standard
1	Internal linearization

k	Mode
1	Measuring direction forward, asynchronous mode
2	Measuring direction forward, synchronous mode 1
3	Measuring direction forward, synchronous mode 2
4	Measuring direction forward, synchronous mode 3
5	Measuring direction reverse, asynchronous mode
6	Measuring direction reverse, synchronous mode 1
7	Measuring direction reverse, synchronous mode 2
8	Measuring direction reverse, synchronous mode 3

l	Data length*
1	25 bit
2	24 bit
3	26 bit
A	24 bit + alarm bit + parity bit

m	Format
B	Binary
G	Gray

n	Resolution
1	5 µm
2	10 µm
3	50 µm
4	100 µm
5	20 µm
6	2 µm
7	0.1 µm*
8	1 µm
9	0.5 µm

o	Additional options (optional)
S 0 0 2	FIR filter (2 measurements)
S 0 0 4	FIR filter (4 measurements)
S 0 0 8	FIR filter (8 measurements)
S 0 0 A	No filter, error counter (4 cycles)
S 0 0 C	No filter, error counter (8 cycles)
S 0 0 D	No filter, error counter (10 cycles)
S 0 0 G	FIR filter (8 measurements), error counter (10 cycles)
S 0 0 J	IIR filter (filter grade 4)
S 0 0 K	IIR filter (filter grade 8)
S 0 0 N	IIR filter (filter grade 8), error counter (10 cycles)

**NOTICE**

- Specify the number of magnets for your application and order the magnets separately.
- The number of magnets is limited by the stroke length. The minimum allowed distance between magnets (i.e. front face of one to the front face of the next one) is 75 mm (3 in.).
- Use magnets of the same type for differential measurement.
- If the option for internal linearization in j "Options" is chosen, select a suitable magnet.

\* / The stroke length of the sensor influences the choice of resolution and data length. See glossary under "Resolution and data length depending on stroke length".

### 3.8 Nameplate

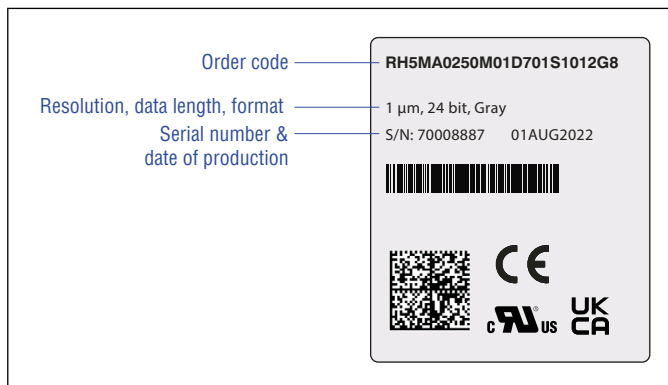


Fig. 1: Example of nameplate of R-Series V RH5 sensor with SSI output

### 3.9 Approvals

- CE declaration
- UKCA declaration
- UL certified

### 3.10 Scope of delivery

#### RP5 (profile sensor):

- Sensor
- Position magnet (not for RP5 with design »0«)
- 2 mounting clamps up to 1250 mm (50 in.) stroke length +  
1 mounting clamp for each 500 mm (20 in.) additional stroke length

#### RH5 (rod sensor):

- RH5-B: Base unit (without flange & rod assembly),  
3 × socket screws M4×59
- RH5-J/M/S/T: Sensor, O-ring

#### RM5 (sensor in super shield housing):

- RM5-B: Base unit (without flange & rod assembly),  
3 × socket screws M4×59
- RM5-M/S: Sensor, O-ring

#### RF5 (improved flexible rod sensor):

- RF5-B: Sensor (without flange & rod assembly),  
3 × socket screws M4×59

#### RFV (flexible rod sensor):

- RFV-B: Base unit (without flange & rod assembly),  
3 × socket screws M4×59
- RFV-M/S: Sensor (with flange & without rod assembly), O-ring

#### RD5 (improved sensor with detached electronics):

- RD5-K-C/D/M/T: Sensor, O-ring
- RD5-K-S: Sensor, O-ring, back-up ring
- RD5-R-C/D/M/T: Sensor, O-ring (see [page 49](#))
- RD5-R-S: Sensor, O-ring, back-up ring (see [page 49](#))
- RD5-E: As ordered (see [page 51](#))

#### RDV (sensor with detached electronics):

- RDV-C/D/M/T: Sensor, O-ring
- RDV-S: Sensor, O-ring, back-up ring

## 4. Product description

### 4.1 Functionality and system design

#### Product designation

- Position sensor Temposonics® R-Series V

#### Sensor model

- Temposonics® R-Series V RP5 (profile sensor)
- Temposonics® R-Series V RH5 (rod sensor)
- Temposonics® R-Series V RM5 (sensor in super shield housing)
- Temposonics® R-Series V RF5 (improved flexible rod sensor)
- Temposonics® R-Series V RFV (flexible rod sensor)
- Temposonics® R-Series V RD5 (improved sensor with detached electronics)
- Temposonics® R-Series V RDV (sensor with detached electronics)

#### Stroke length

- Temposonics® R-Series V RP5: 25... 6350 mm (1...250 in.)
- Temposonics® R-Series V RH5: 25... 7620 mm (1...300 in.)
- Temposonics® R-Series V RM5: 25... 7615 mm (1...299.8 in.)
- Temposonics® R-Series V RF5: 150...20,000 mm (6...787 in.)
- Temposonics® R-Series V RFV: 150...20,000 mm (6...787 in.)
- Temposonics® R-Series V RD5: 25... 5080 mm (1...200 in.)
- Temposonics® R-Series V RDV: 25... 5080 mm (1...200 in.)

#### Output signal

- SSI

#### Application

The Temposonics® position sensors are used for measurement and conversion of the length (position) variable in the fields of automated systems and mechanical engineering.

#### Principle of operation and system construction

The absolute, linear position sensors provided by Temposonics rely on the company's proprietary Temposonics® magnetostrictive technology, which can determine position with a high level of precision and robustness. Each Temposonics® position sensor consists of a ferromagnetic waveguide, a position magnet, a strain pulse converter and supporting electronics. The magnet, connected to the object in motion in the application, generates a magnetic field at its location on the waveguide. A short current pulse is applied to the waveguide. This creates a momentary radial magnetic field and torsional strain on the waveguide. The momentary interaction of the magnetic fields releases a torsional strain pulse that propagates the length of the waveguide. When the ultrasonic wave reaches the end of the waveguide it is converted into an electrical signal. Since the speed of the ultrasonic wave in the waveguide is precisely known, the time required to receive the return signal can be converted into a linear position measurement with both high accuracy and repeatability.

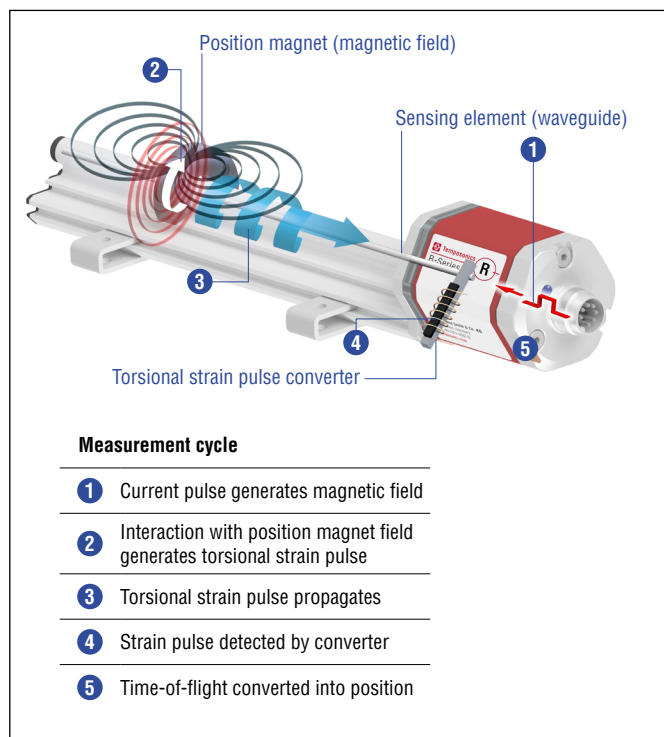


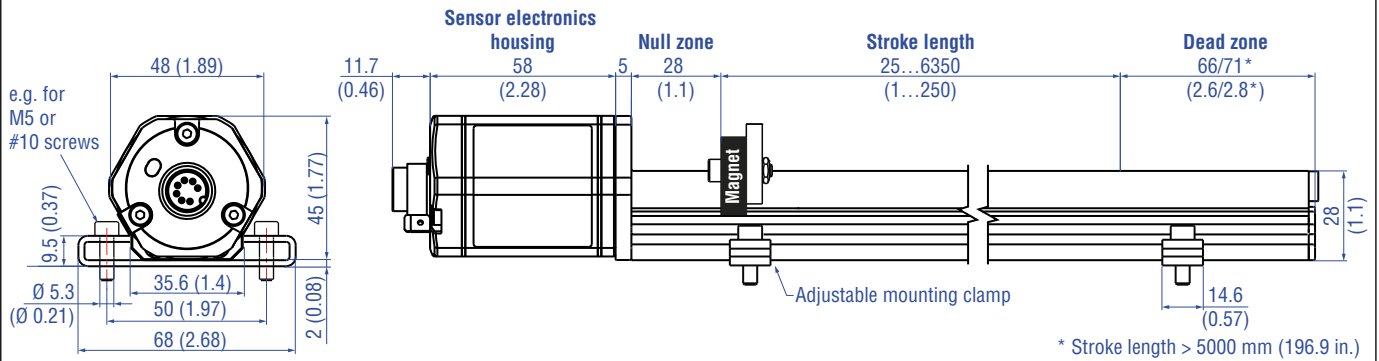
Fig. 2: Time-of-flight based magnetostrictive position sensing principle

#### Modular mechanical and electronic construction

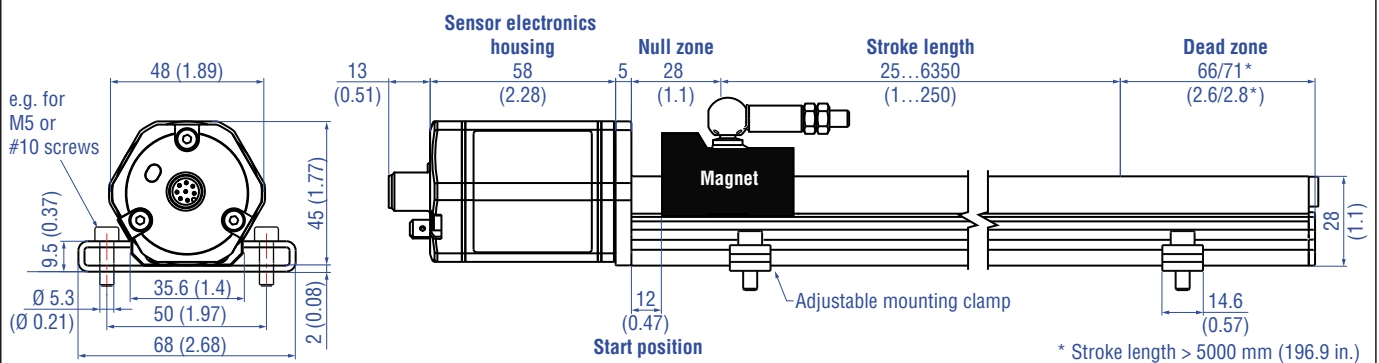
- The sensor profile or rod protects the inner sensor element.
- The sensor electronics housing, a rugged aluminum construction, contains the complete electronic interface with active signal conditioning.
- The external position magnet is a permanent magnet. Mounted on the mobile machine part, it travels along the sensor profile or rod and triggers the measurement through the sensor profile/rod wall.
- The sensor can be connected directly to a control system. Its electronics generates a strictly position-proportional signal output between start and end position.

4.2 Installation and design of Temposonics® RP5

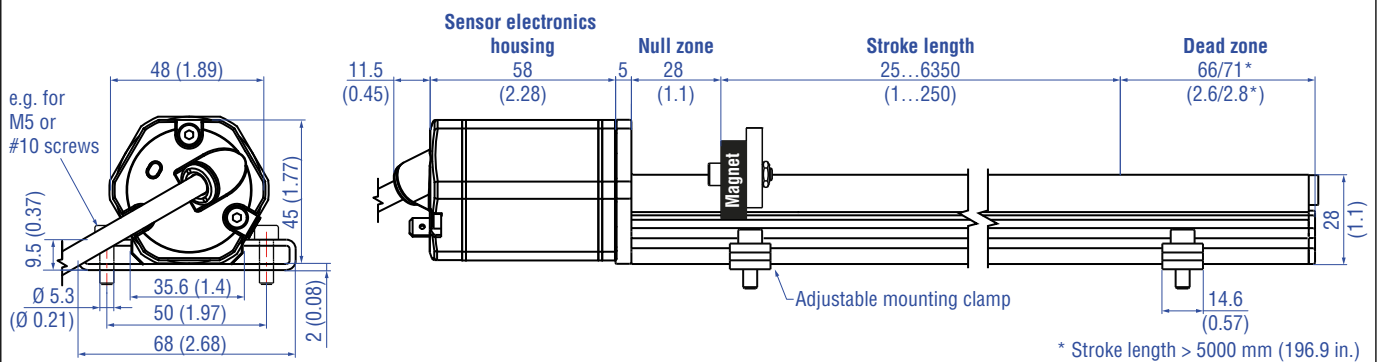
RP5-M, example: Connection type D70 (connector outlet)



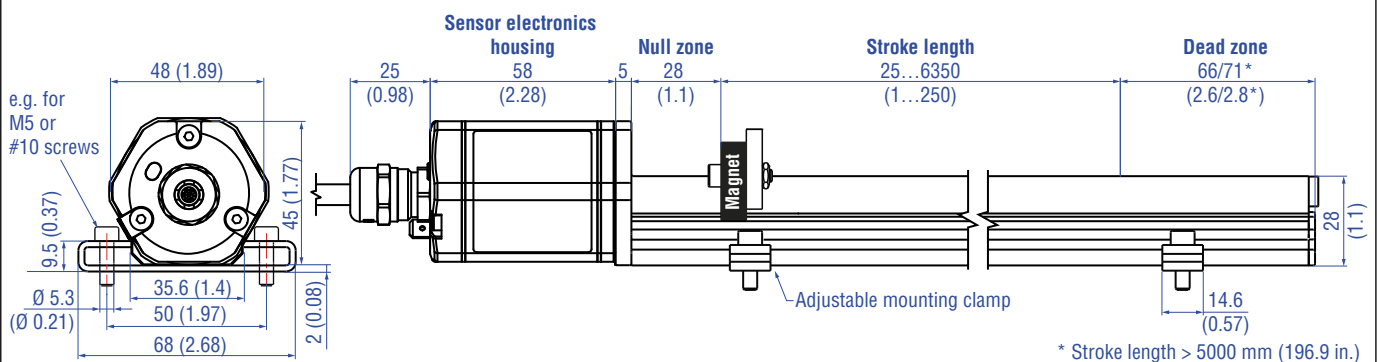
RP5-G/S, example: Connection type D84 (connector outlet)



RP5-M, example: Connection type BXX/EXX/GXX/LXX/UXX (angled cable outlet)



RP5-M, example: Connection type HXX/PXX/RXX/TXX (straight cable outlet)



Controlling design dimensions are in millimeters and measurements in ( ) are in inches

Fig. 3: Temposonics® RP5 with U-magnet/magnet slider

**Installation of RP5**

The position sensor can be installed in any position. Normally, the sensor is firmly installed and the position magnet is fastened to the mobile machine part. Thus it can travel along the sensor profile. The sensor is fitted on a flat machine surface using the mounting clamps (Fig. 4). A length-dependent number of these clamps are delivered with the sensor and must be distributed over the profile at regular distances. For fastening use M5×20 screws to DIN 6912 that should be tightened with a fastening torque of 5 Nm.

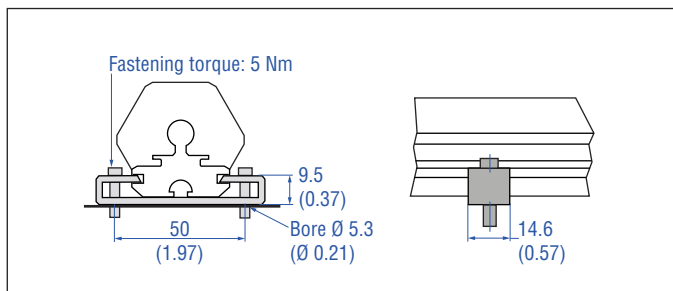


Fig. 4: Mounting clamps (part no. 400 802) with cylinder screw M5×20

**Alternative:**

If only limited space is available, the profile sensor can be mounted also via the T-rail in the profile bottom using a T-slot nut M5 (part no. 401 602) or a sliding block (Fig. 5).

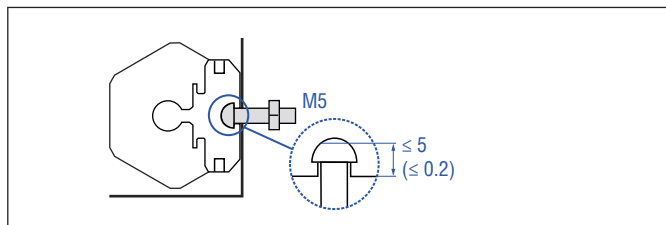
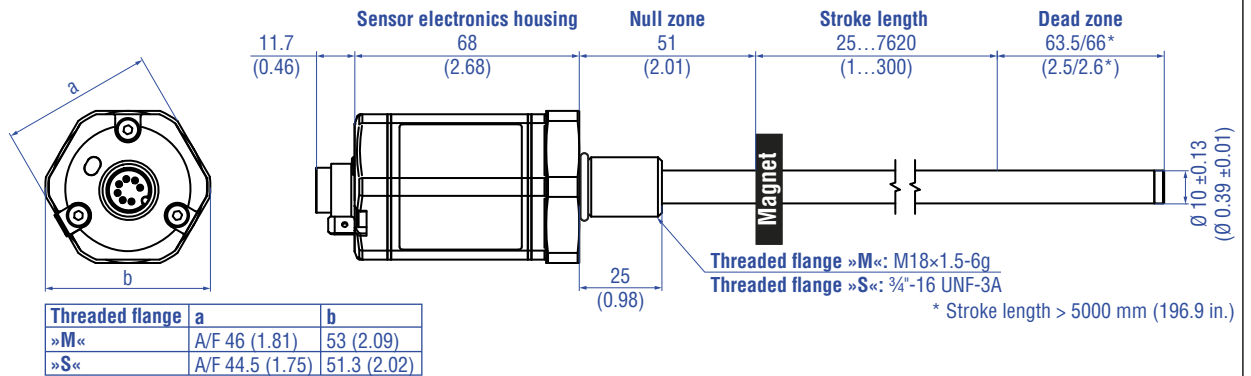


Fig. 5: T-slot nut M5 (part no. 401 602)

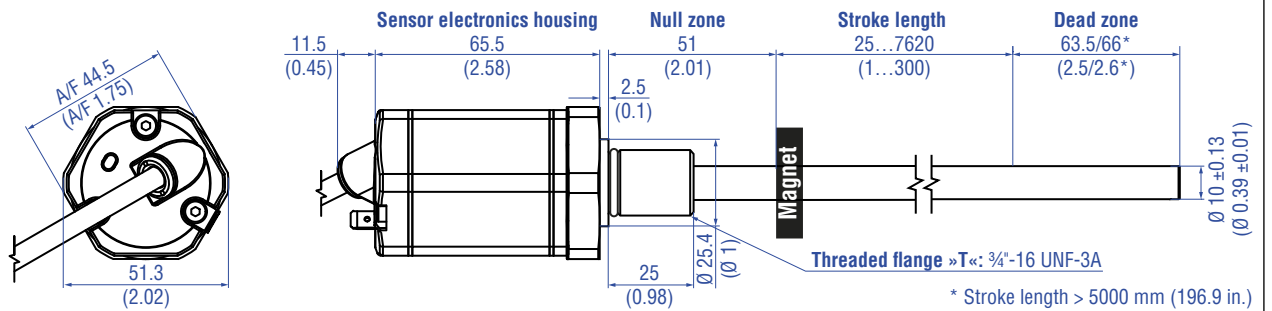
**NOTICE**  
 Take care to mount the sensor parallel to the axis of motion being measured to avoid damage to the magnet and sensor.

4.3 Installation and design of Temposonics® RH5

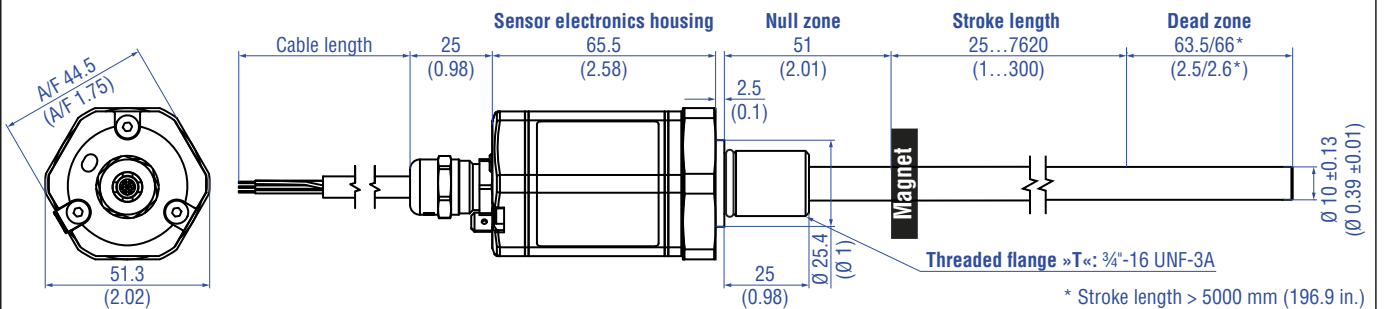
RH5-M/S-A/F/V – RH5 with threaded flange M18×1.5-6g or ¾"-16 UNF-3A, example: Connection type D70 (connector outlet)



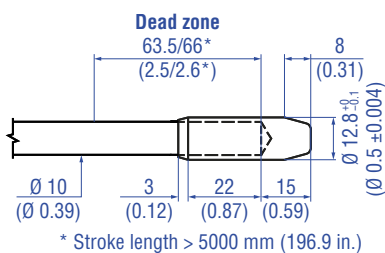
RH5-T-A/F/V – RH5 with threaded flange ¾"-16 UNF-3A with raised-face, example: Connection type BXX/EXX/GXX/LXX/UXX (angled cable outlet)



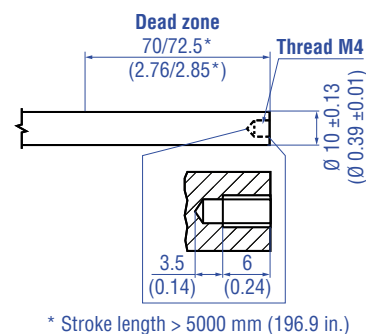
RH5-T-A/F/V – RH5 with threaded flange ¾"-16 UNF-3A with raised-face, example: Connection type HXX/PXX/RXX/TXX (straight cable outlet)



Mechanical option »B«: Bushing on rod end for threaded flange M18×1.5-6g or ¾"-16 UNF-3A



Mechanical option »M«: Thread M4 at rod end for threaded flange M18×1.5-6g or ¾"-16 UNF-3A



Controlling design dimensions are in millimeters and measurements in ( ) are in inches

Fig. 6: Temposonics® RH5 with ring magnet, part 1

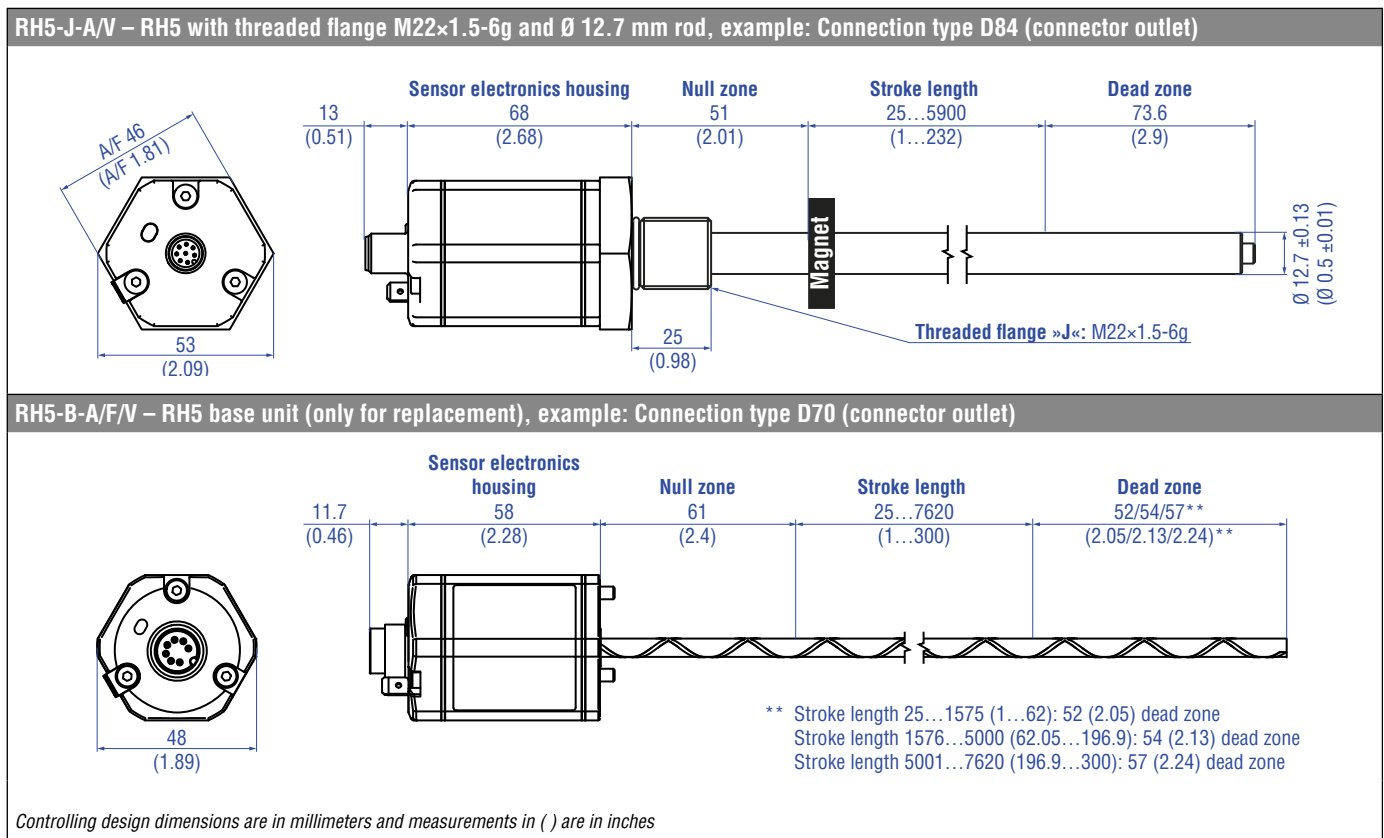


Fig. 7: Temposonics® RH5 with ring magnet, part 2

### Installation of RH5 with threaded flange

Fix the sensor rod via threaded flange M18×1.5-6g, M22×1.5-6g or ¾"-16 UNF-3A. Note the fastening torque shown in Fig. 8. Lightly oil the thread before tightening.

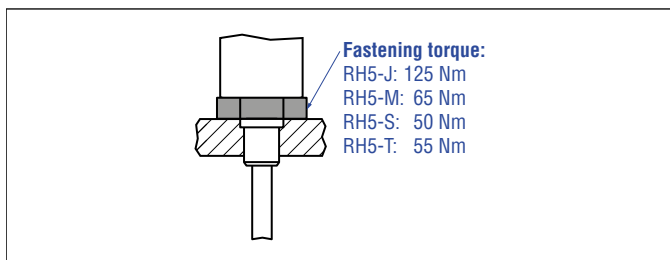


Fig. 8: Mounting example of threaded flange

### Installation of a rod-style sensor in a fluid cylinder

The rod-style version has been developed for direct stroke measurement in a fluid cylinder. Mount the sensor via threaded flange or a hex nut.

- Mounted on the face of the piston, the position magnet travels over the rod without touching it and indicates the exact position through the rod wall – independent of the hydraulic fluid.

- The pressure resistant sensor rod is installed into a bore in the piston rod.
- The base unit is mounted by means of three screws. It is the only part that needs to be replaced if servicing is required, i.e. the hydraulic circuit remains closed. For more information see chapter "4.11.1 Replacement of base unit on the RH5/RFV/RF5 model" on page 69.

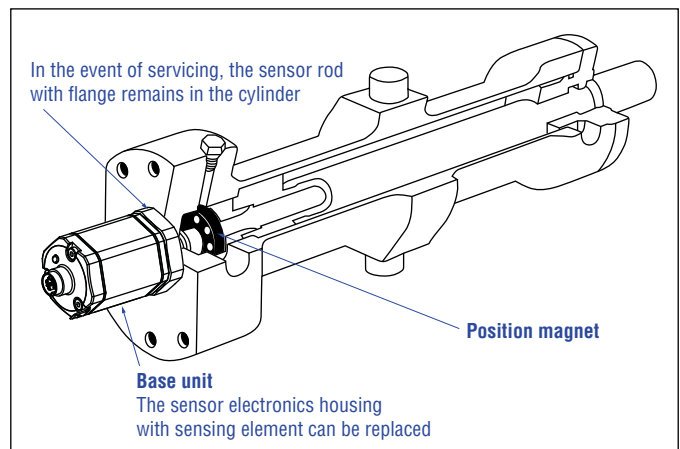


Fig. 9: Sensor in cylinder

### Hydraulics sealing

There are two ways to seal the flange contact surface (Fig. 10):

1. A sealing by using an O-ring (e.g. 22.4 × 2.65 mm (0.88 × 0.1 in.), 25.07 × 2.62 mm (0.99 × 0.1 in.)) in a cylinder end cap groove.
2. A sealing by using an O-ring in the flange undercut.
  - For threaded flange (3/4"-16 UNF-3A):  
O-ring 16.4 × 2.2 mm (0.65 × 0.09 in.) (part no. 560 315)
  - For threaded flange (M18×1.5-6g):  
O-ring 15.3 × 2.2 mm (0.60 × 0.09 in.) (part no. 401 133)
  - For threaded flange (M22×1.5-6g):  
O-ring 19.3 × 2.2 mm (0.76 × 0.09 in.) (part no. 561 337)

In the case of threaded flanges M18×1.5-6g or M22×1.5-6g, provide a screw hole based on ISO 6149-1 (Fig. 11). See ISO 6149-1 for further information.

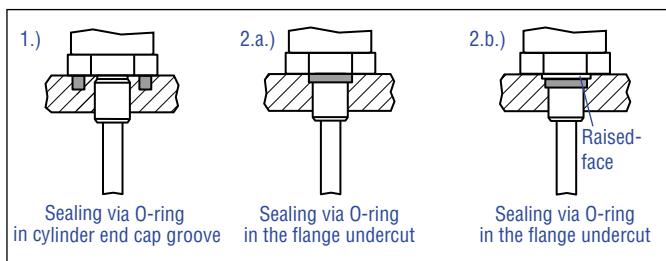


Fig. 10: Possibilities of sealing for threaded flange with flat face 1. + 2.a. (RH5-J/M/S) and with raised-face 2.b. (RH5-T)

- Seat the flange contact surface completely on the cylinder mounting surface.
- The cylinder manufacturer determines the pressure-resistant gasket (copper gasket, O-ring, etc.).
- The position magnet should not grind on the sensor rod.
- The piston rod drilling  
(RH5-M/S/T-A/F/M/V with rod Ø 10 mm: ≥ Ø 13 mm (≥ Ø 0.51 in.);  
RH5-M/S/T-B with rod Ø 10 mm: ≥ Ø 16 mm (≥ Ø 0.63 in.);  
RH5-J-A/V with rod Ø 12.7 mm: ≥ Ø 16 mm (≥ Ø 0.63 in.)) depends on the pressure and piston speed.
- Adhere to the information relating to operating pressure.
- Protect the sensor rod against wear.

Notice for metric threaded flanges									
Thread (d <sub>1</sub> ×P)	d <sub>2</sub>	d <sub>3</sub>	d <sub>4</sub>	d <sub>5</sub>	L <sub>1</sub>	L <sub>2</sub>	L <sub>3</sub>	L <sub>4</sub>	Z°
				+0.1 0	+0.4 0				±1°
<b>RH5-M-A/F/M/V</b>									
M18×1.5	55	≥ 13	24.5	19.8	2.4	28.5	2	26	15°
<b>RH5-M-B</b>									
M18×1.5	55	≥ 16	24.5	19.8	2.4	28.5	2	26	15°
<b>RH5-J-A/V</b>									
M22×1.5	55	≥ 16	27.5	23.8	2.4	28.5	2	26	15°

Controlling design dimensions are in millimeters

Fig. 11: Notice for metric threaded flange M18×1.5-6g/M22×1.5-6g based on DIN ISO 6149-1

#### 4.4 Installation and design of Temposonics® RM5

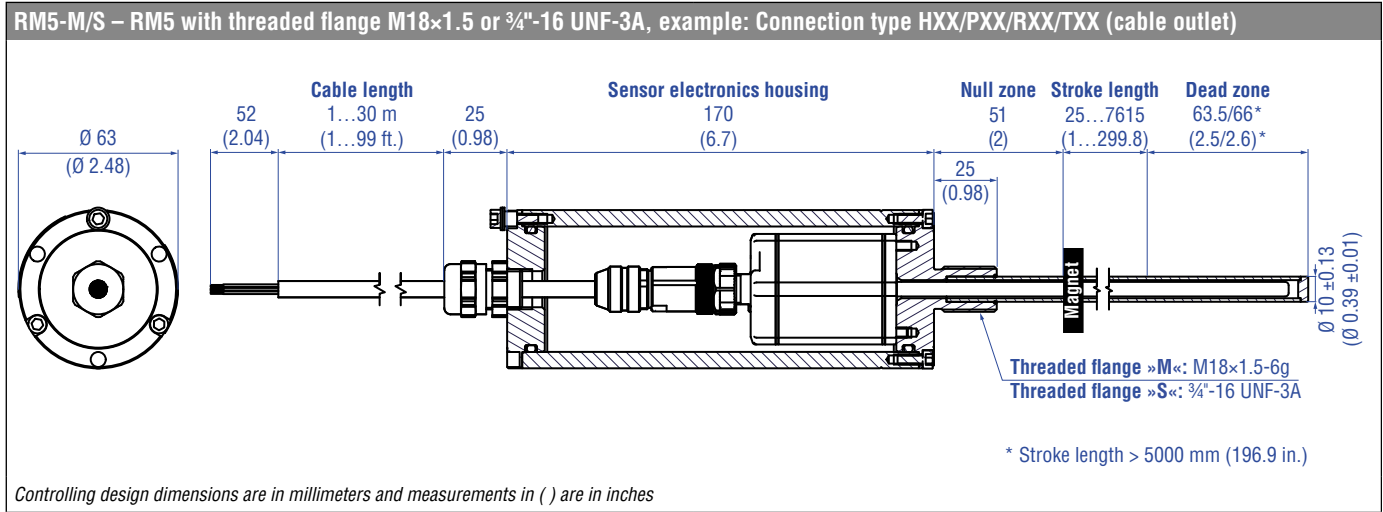


Fig. 12: Temposonics® RM5 with ring magnet

#### Installation of RM5 with threaded flange

Fix the sensor rod via threaded flange M18×1.5-6g or ¾"-16 UNF-3A. Note the fastening torque shown in Fig. 13. Lightly oil the thread before tightening.

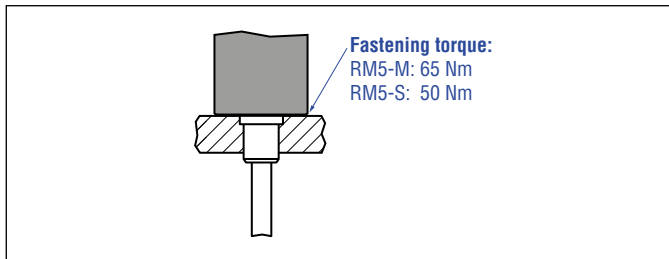


Fig. 13: Mounting example of threaded flange

#### Installation of a rod-style sensor in a fluid cylinder

The rod-style version has been developed for direct stroke measurement in a fluid cylinder. Mount the sensor via threaded flange or a hex nut.

- Mounted on the face of the piston, the position magnet travels over the rod without touching it and indicates the exact position through the rod wall – independent of the hydraulic fluid.
- The pressure resistant sensor rod is installed into a bore in the piston rod.
- The base unit inside the RM5 is mounted by means of three screws. It is the only part that needs to be replaced if servicing is required, i.e. the hydraulic circuit remains closed. For more information see chapter "4.11.2 Replacement of base unit on the RM5 model" on page 70.

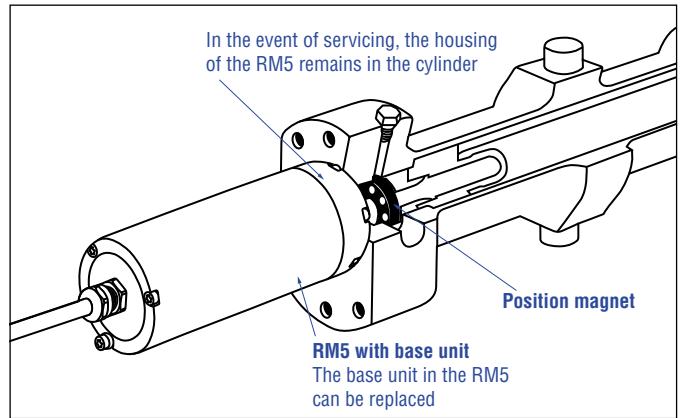


Fig. 14: RM5 sensor in cylinder

#### Hydraulics sealing

There are two ways to seal the flange contact surface (Fig. 15):

1. A sealing by using an O-ring (e.g. 22.4 × 2.65 mm (0.88 × 0.1 in.), 25.07 × 2.62 mm (0.99 × 0.1 in.)) in a cylinder end cap groove.
2. A sealing by using an O-ring in the flange undercut.

For threaded flange (¾"-16 UNF-3A):

O-ring 16.4 × 2.2 mm (0.65 × 0.09 in.) (part no. 560 315)

For threaded flange (M18×1.5-6g):

O-ring 15.3 × 2.2 mm (0.60 × 0.09 in.) (part no. 401 133)

In the case of threaded flange M18×1.5-6g provide a screw hole based on ISO 6149-1 (Fig. 16). See ISO 6149-1 for further information.

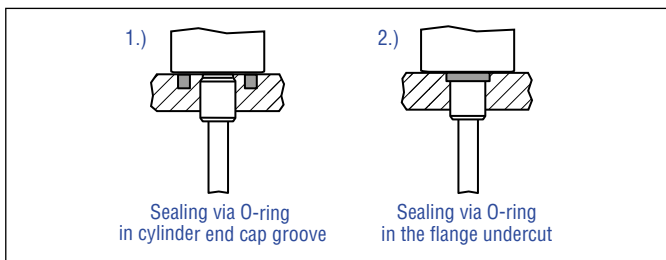


Fig. 15: Possibilities of sealing

- Seat the flange contact surface completely on the cylinder mounting surface.
- The cylinder manufacturer determines the pressure-resistant gasket (copper gasket, O-ring, etc.).
- The position magnet should not grind on the sensor rod.
- The piston rod drilling (RM5-M/S with rod  $\varnothing$  10 mm:  $\geq \varnothing$  13 mm ( $\geq \varnothing$  0.51 in.) depends on the pressure and piston speed.
- Adhere to the information relating to operating pressure.
- Protect the sensor rod against wear.

**Notice for metric threaded flanges**

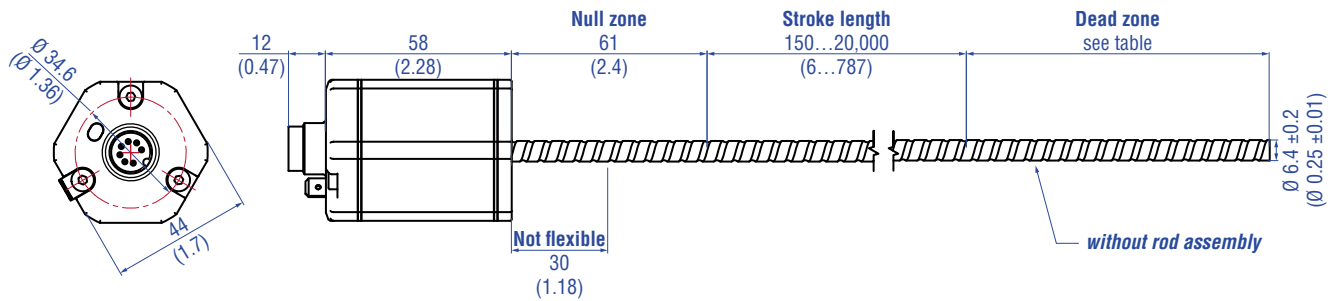
Thread ( $d_1 \times P$ )	$d_2$	$d_3$	$d_4$	$d_5$ +0.1 0	$L_1$ +0.4 0	$L_2$	$L_3$	$L_4$	$Z^\circ$ $\pm 1^\circ$
<b>RM5-M</b>									
M18×1.5	55	$\geq 13$	24.5	19.8	2.4	28.5	2	26	15°

Controlling design dimensions are in millimeters

Fig. 16: Notice for metric threaded flange M18×1.5-6g based on DIN ISO 6149-1

4.5 Installation and design of Temposonics® RF5

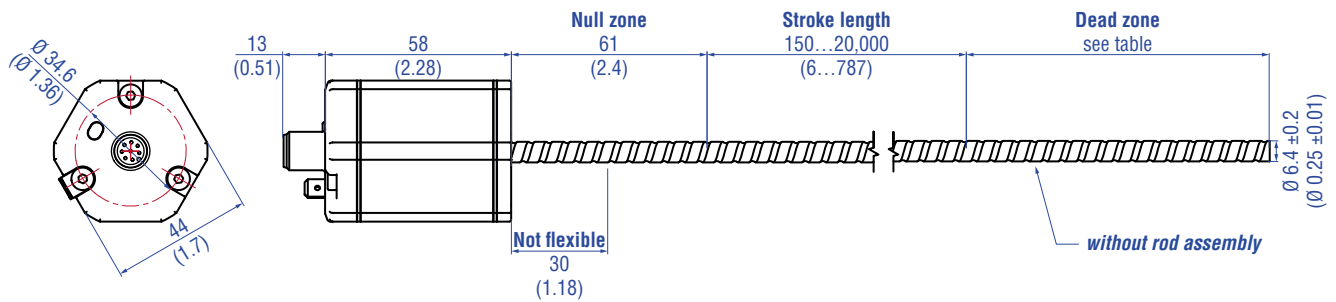
RF5-B – RF5 base unit (without flange & rod assembly), example: Connection type D70 (connector outlet)



Stroke length	Tolerance of total length	Dead zone
Up to 7620 mm (300.00 in.)	±5 mm (0.20 in.)	94 mm (3.70 in.)
Up to 10,000 mm (393.70 in.)	±10 mm (0.39 in.)	100 mm (3.94 in.)
Up to 15,000 mm (590.55 in.)	±15 mm (0.59 in.)	120 mm (4.72 in.)
Up to 20,000 mm (787.00 in.)	±20 mm (0.79 in.)	140 mm (5.51 in.)

Note: Tolerance of total length has no influence on the stroke length.

RF5-B – RF5 base unit (without flange & rod assembly), example: Connection type D84 (connector outlet)



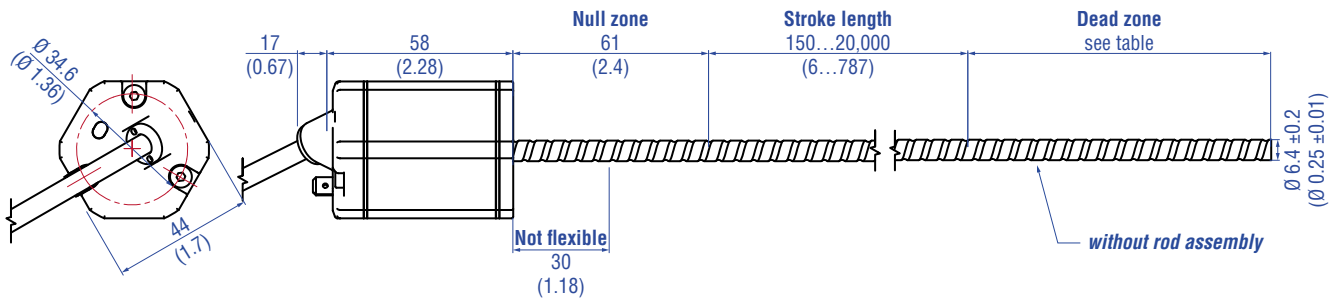
Stroke length	Tolerance of total length	Dead zone
Up to 7620 mm (300.00 in.)	±5 mm (0.20 in.)	94 mm (3.70 in.)
Up to 10,000 mm (393.70 in.)	±10 mm (0.39 in.)	100 mm (3.94 in.)
Up to 15,000 mm (590.55 in.)	±15 mm (0.59 in.)	120 mm (4.72 in.)
Up to 20,000 mm (787.00 in.)	±20 mm (0.79 in.)	140 mm (5.51 in.)

Note: Tolerance of total length has no influence on the stroke length.

Controlling design dimensions are in millimeters and measurements in ( ) are in inches

Fig. 17: Temposonics® RF5 base unit, part 1

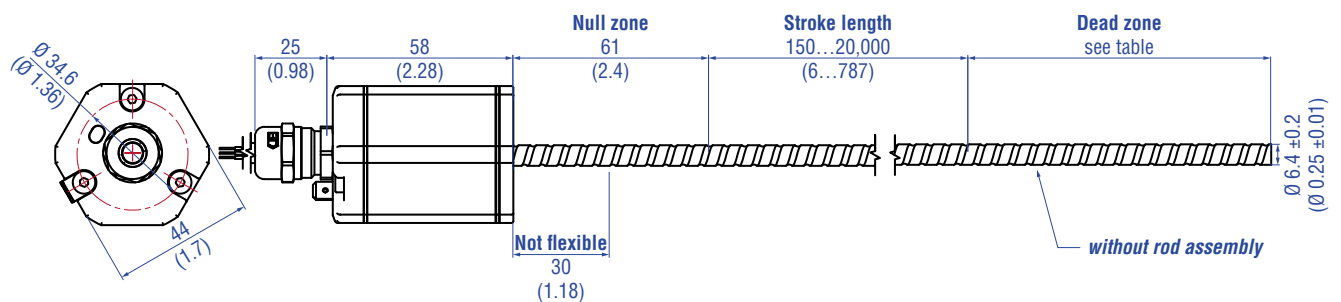
**RF5-B – RF5 base unit (without flange & rod assembly), example: Connection type BXX/EXX/GXX/LXX/UXX (angled cable outlet)**



Stroke length	Tolerance of total length	Dead zone
Up to 7620 mm (300.00 in.)	±5 mm (0.20 in.)	94 mm (3.70 in.)
Up to 10,000 mm (393.70 in.)	±10 mm (0.39 in.)	100 mm (3.94 in.)
Up to 15,000 mm (590.55 in.)	±15 mm (0.59 in.)	120 mm (4.72 in.)
Up to 20,000 mm (787.00 in.)	±20 mm (0.79 in.)	140 mm (5.51 in.)

**Note:** Tolerance of total length has no influence on the stroke length.

**RF5-B – RF5 base unit (without flange & rod assembly), example: Connection type HXX/PXX/RXX/TXX (straight cable outlet)**



Stroke length	Tolerance of total length	Dead zone
Up to 7620 mm (300.00 in.)	±5 mm (0.20 in.)	94 mm (3.70 in.)
Up to 10,000 mm (393.70 in.)	±10 mm (0.39 in.)	100 mm (3.94 in.)
Up to 15,000 mm (590.55 in.)	±15 mm (0.59 in.)	120 mm (4.72 in.)
Up to 20,000 mm (787.00 in.)	±20 mm (0.79 in.)	140 mm (5.51 in.)

**Note:** Tolerance of total length has no influence on the stroke length.

Controlling design dimensions are in millimeters and measurements in ( ) are in inches

Fig. 18: Temposonics® RF5 base unit, part 2

### Installation of RF5

Note the following information when mounting and handling an RF5 sensor:

1. Always insert the flexible sensor rod in a support tube (e.g. sensor rod HD/HL/HP or HFP profile). The support tube has to be made of non-magnetic material and has to have an inside diameter of minimum 9.4 mm (0.37 in.) (Fig. 19). The support tube can be straight or bent.
2. Do never bend beyond the minimum bending radius of 100 mm (3.94 in.).
3. Note the minimum distance to a spatial limitation of 150 mm (5.91 in.), when mounting/dismounting the sensor. The recommended distance is 200 mm (7.87 in.) (Fig. 20).
4. Note the non-flexible area of the sensor rod from the flange of 30 mm (1.18 in.) (for RF5-B).

**NOTICE**  
Bending radii < 100 mm (3.94 in.) during handling, installation or operation will damage the flexible sensor rod and thus impair the function of the sensor.

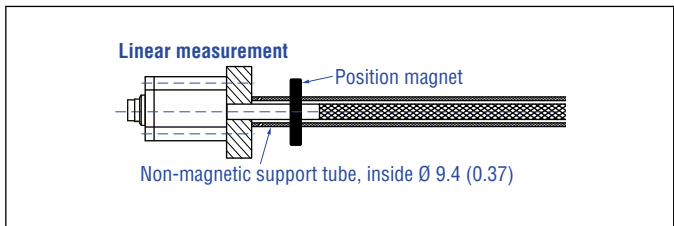


Fig. 19: Sensor with support tube

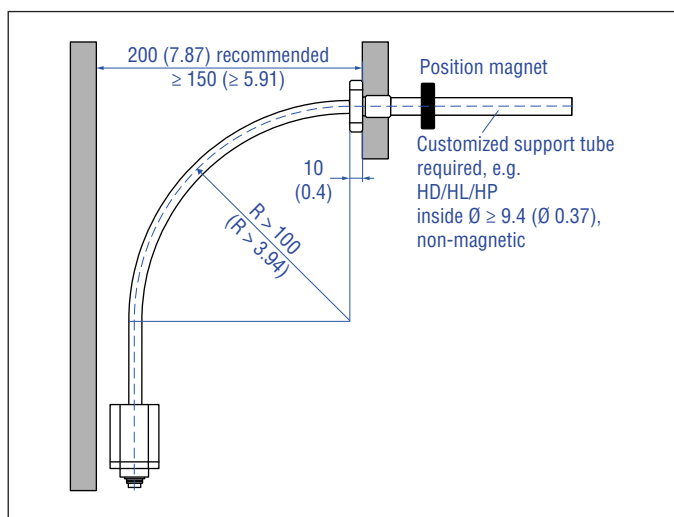


Fig. 20: Clearances for installation and handling

### Mounting an RF5 sensor

There are three ways to mount the RF5 sensor:

1. Installation of the RF5-B base unit in a support tube provided by the customer
2. Installation of the RF5-B base unit in a sensor rod HD/HL/HP or HFP profile
3. Installation of the RF5-B base unit with threaded flange M18x1.5-6g or threaded flange 3/4"-16 UNF-3A

These installation options are described below.

#### 1. Installation of the RF5-B base unit in a support tube provided by the customer

1. Insert the flexible sensor rod in a support tube.
2. When inserting the flexible sensor rod, hold it close to the flange and insert it slowly into the support tube (Fig. 21). This allows air in the support tube to escape.

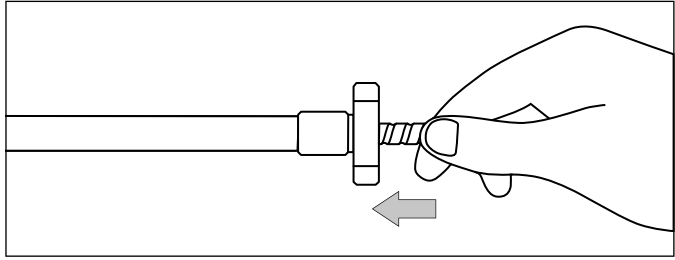


Fig. 21: Hold the flexible sensor rod close to the flange when inserting it

3. Mount the sensor electronics housing using the three M4x59 hexagon socket screws made of non-magnetic material. Tightening torque: 1.4 Nm (Fig. 22). Secure the screws before installation, e.g. with Loctite 243. Remove the three knurled nuts beforehand.

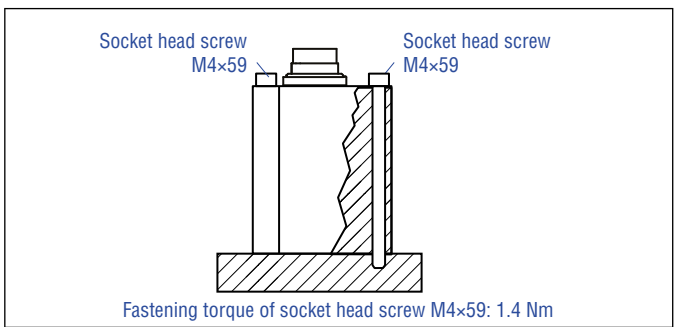


Fig. 22: Mounting with socket head screws M4x59

4. Ensure that the O-ring seal (part no. 562 003) is correctly inserted in the groove on the sensor electronics housing before inserting the base unit into the support tube and attaching the sensor electronics (Fig. 23).

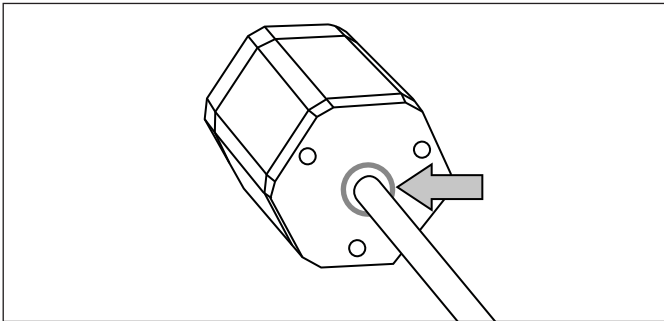


Fig. 23: Correct position of the O-ring in the groove of the sensor electronics housing

## 2. RF5-B with sensor rod HD/HL/HP or HFP profile (see “4.16 Frequently ordered accessories for Temposonics® RF5”)

Using the HD/HL/HP sensor rod or the HFP profile offers you the advantage that the flexible sensor rod is guided in a suitable protective tube.

1. When inserting the flexible sensor rod, hold it close to the flange and insert it slowly into the support tube (Fig. 21). This allows air in the support tube to escape.
2. Mount the sensor electronics housing to the sensor rod or HFP profile using three M4×59 hexagon socket screws made of non-magnetic material: Tightening torque: 1.4 Nm (Fig. 22). Secure the screws before installation, e.g. with Loctite 243. Remove the three knurled nuts beforehand.
3. Ensure that the O-ring seal (part no. 562 003) is correctly inserted in the groove on the sensor electronics before inserting the base unit into the support tube or the HFP profile and attaching the sensor electronics (Fig. 23).

Details on installing the sensor rod HD/HL/HP or the HFP profile follow.

### Installation of an RF5 sensor with sensor rod HD/HL/HP in a fluid cylinder

The rod-style version has been developed for direct stroke measurement in a fluid cylinder. Fix the sensor rod via threaded flange M18×1.5-6g or 3/4"-16 UNF-3A. Note the fastening torque shown in Fig. 24. Lightly oil the thread before tightening.

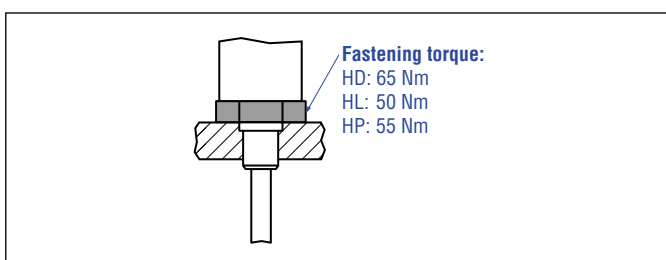


Fig. 24: Mounting example of threaded flange

- Mounted on the face of the piston, the position magnet travels over the rod without touching it and indicates the exact position through the rod wall – independent of the hydraulic fluid.
- The pressure resistant sensor rod is installed into a bore in the piston rod.
- The base unit is mounted by means of three screws. It is the only part that needs to be replaced if servicing is required, i.e. the hydraulic circuit remains closed. For more information see chapter “4.11.1 Replacement of base unit on the RH5/RFV/RF5 model” on page 69
- Seat the flange contact surface completely on the cylinder mounting surface.
- The cylinder manufacturer determines the pressure-resistant gasket (copper gasket, O-ring, etc.).
- The position magnet should not grind on the sensor rod.
- The piston rod drilling for RF5 sensors with sensor rod (outer diameter 12.7 mm (0.5 in.)) is  $\geq 16$  mm ( $\geq 0.63$  in.). The borehole depends on the pressure and piston speed.
- Adhere to the information relating to operating pressure.
- Protect the sensor rod against wear.

### Hydraulics sealing when using an RF5 sensor in a sensor rod HD/HL/HP

There are two ways to seal the flange contact surface (Fig. 25):

1. A sealing by using an O-ring  
(e.g. 22.4 × 2.65 mm (0.88 × 0.1 in.), 25.07 × 2.62 mm (0.99 × 0.1 in.)) in a cylinder end cap groove.
2. A sealing by using an O-ring in the flange undercut.  
For threaded flange (3/4"-16 UNF-3A) »S«: O-ring 16.4 × 2.2 mm (0.65 × 0.09 in.) (part no. 560 315)  
For threaded flange (M18×1.5-6g) »M«: O-ring 15.3 × 2.2 mm (0.60 × 0.09 in.) (part no. 401 133)

In the case of threaded flange M18×1.5-6g provide a screw hole based on ISO 6149-1 (Fig. 26). See ISO 6149-1 for further information.

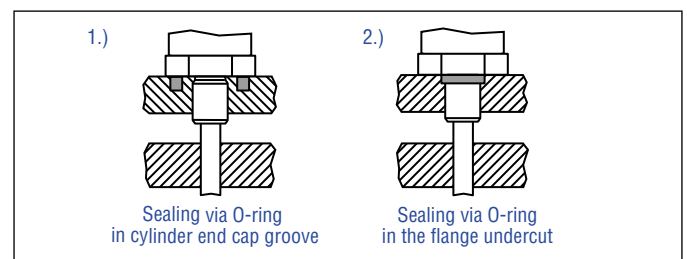


Fig. 25: Possibilities of sealing

Notice for metric threaded flanges									
Thread (d <sub>1</sub> ×P)	d <sub>2</sub>	d <sub>3</sub>	d <sub>4</sub>	d <sub>5</sub>	L <sub>1</sub>	L <sub>2</sub>	L <sub>3</sub>	L <sub>4</sub>	Z°
M18×1.5	55	≥ 16	24.5	19.8	2.4	28.5	2	26	15°

Optional sensor rod HD									
M18×1.5	55	≥ 16	24.5	19.8	2.4	28.5	2	26	15°

Controlling design dimensions are in millimeters

Fig. 26: Notice for metric threaded flange M18×1.5-6g based on DIN ISO 6149-1

### Installation of RF5 sensor with HFP profile

The RF5 sensor with HFP profile can be installed in any position. The HFP profile is firmly installed and the position magnet is fastened to the mobile machine part. Thus it can travel along the sensor profile. The sensor is fitted on a flat machine surface using the mounting clamps (Fig. 27). A length-dependent number of these clamps are delivered with the sensor and must be distributed over the profile at regular distances. For fastening use M5×20 screws to DIN 6912 that should be tightened with a fastening torque of 5 Nm.

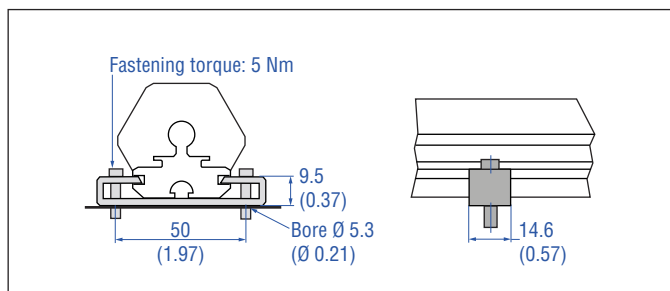


Fig. 27: Mounting clamps (part no. 400 802) with cylinder screw M5×20

### 3. RF5-B with threaded flange M18×1.5-6g (part no. 404 874) or threaded flange ¾"-16 UNF-3A (part no. 404 875)

Fix the sensor rod via threaded flange M18×1.5-6g or ¾"-16 UNF-3A.

Note the fastening torque:

- Threaded flange M18×1.5-6g (part no. 404 874): 65 Nm
- Threaded flange ¾"-16 UNF-3A (part no. 404 875): 50 Nm

Lightly oil the thread before tightening.

- Insert the flexible sensor rod in a support tube.
- When inserting the flexible sensor rod, hold it close to the flange and insert it slowly into the support tube (Fig. 21). This allows air in the support tube to escape.
- Mount the sensor via flange using the three M4×59 hexagon socket screws made of non-magnetic material. Tightening torque: 1.4 Nm (Fig. 22). Remove the three knurled nuts beforehand.
- Ensure that the O-ring seal (part no. 562 003) is correctly inserted in the groove on the sensor electronics housing before inserting the base unit into the support tube and attaching the sensor electronics (Fig. 23).

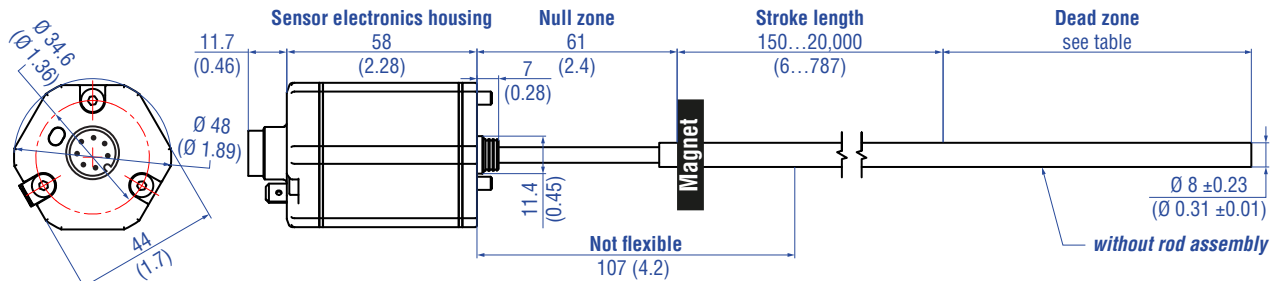
### NOTICE

To fulfill the requirements of EMC standards for emission and immunity the following points are necessary:

- The sensor electronics housing has to be connected to machine ground (Fig. 98).
- Embed the flexible sensor element in an appropriately shielded environment, e.g. in a sensor rod HD/HL/HP or HFP profile.

4.6 Installation and design of Temposonics® RFV

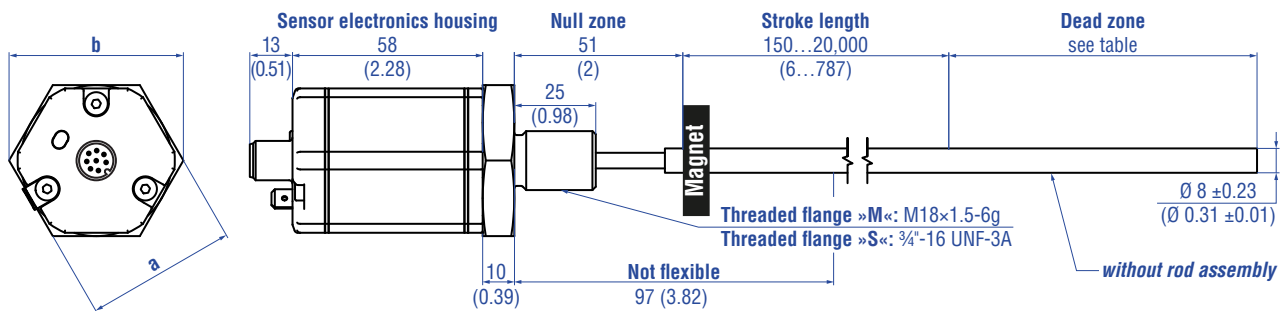
RFV-B – RFV base unit (without flange & rod assembly), example: Connection type D70 (connector outlet)



Stroke length	Tolerance of total length	Dead zone
Up to 7620 mm (300.00 in.)	+8 mm (0.31 in.)/ -5 mm (0.20 in.)	94 mm (3.70 in.)
Up to 10,000 mm (393.70 in.)	+15 mm (0.59 in.)/-15 mm (0.59 in.)	100 mm (3.94 in.)
Up to 15,000 mm (590.55 in.)	+15 mm (0.59 in.)/-30 mm (1.18 in.)	120 mm (4.72 in.)
Up to 20,000 mm (787.00 in.)	+15 mm (0.59 in.)/-45 mm (1.77 in.)	140 mm (5.51 in.)

Note: Tolerance of total length has no influence on the stroke length.

RFV-M/S – RFV with threaded flange M18×1.5-6g or 3/4"-16 UNF-3A (without rod assembly), example: Connection type D84 (connector outlet)



Threaded flange	a	b
»M«	A/F 46 (1.81)	53 (2.09)
»S«	A/F 44.5 (1.75)	51.3 (2.02)

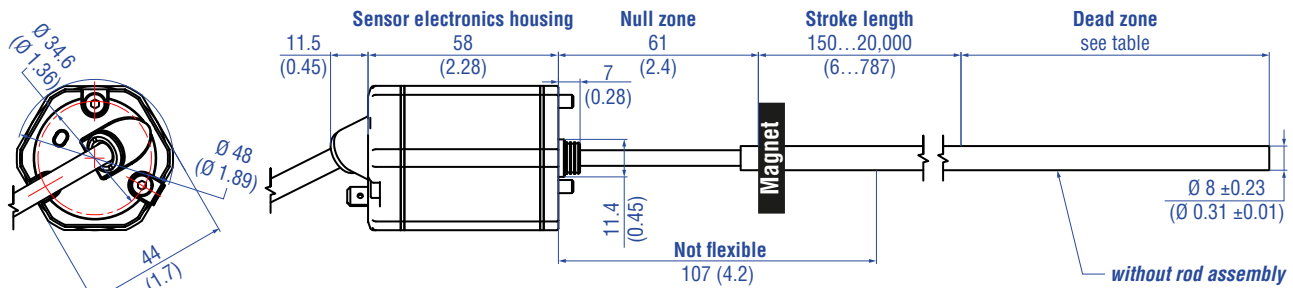
Stroke length	Tolerance of total length	Dead zone
Up to 7620 mm (300.00 in.)	+8 mm (0.31 in.)/ -5 mm (0.20 in.)	94 mm (3.70 in.)
Up to 10,000 mm (393.70 in.)	+15 mm (0.59 in.)/-15 mm (0.59 in.)	100 mm (3.94 in.)
Up to 15,000 mm (590.55 in.)	+15 mm (0.59 in.)/-30 mm (1.18 in.)	120 mm (4.72 in.)
Up to 20,000 mm (787.00 in.)	+15 mm (0.59 in.)/-45 mm (1.77 in.)	140 mm (5.51 in.)

Note: Tolerance of total length has no influence on the stroke length.

Controlling design dimensions are in millimeters and measurements in ( ) are in inches

Fig. 28: Temposonics® RFV with ring magnet, part 1

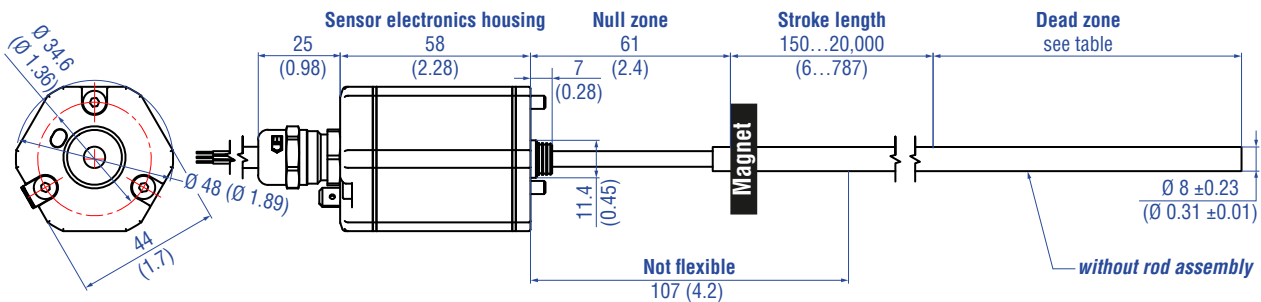
RFV-B – RFV base unit (without flange & rod assembly), example: Connection type BXX/EXX/GXX/LXX/UXX (angled cable outlet)



Stroke length	Tolerance of total length	Dead zone
Up to 7620 mm (300.00 in.)	+8 mm (0.31 in.)/ -5 mm (0.20 in.)	94 mm (3.70 in.)
Up to 10,000 mm (393.70 in.)	+15 mm (0.59 in.)/-15 mm (0.59 in.)	100 mm (3.94 in.)
Up to 15,000 mm (590.55 in.)	+15 mm (0.59 in.)/-30 mm (1.18 in.)	120 mm (4.72 in.)
Up to 20,000 mm (787.00 in.)	+15 mm (0.59 in.)/-45 mm (1.77 in.)	140 mm (5.51 in.)

Note: Tolerance of total length has no influence on the stroke length.

RFV-B – RFV base unit (without flange & rod assembly), example: Connection type HXX/PXX/RXX/TXX (straight cable outlet)



Stroke length	Tolerance of total length	Dead zone
Up to 7620 mm (300.00 in.)	+8 mm (0.31 in.)/ -5 mm (0.20 in.)	94 mm (3.70 in.)
Up to 10,000 mm (393.70 in.)	+15 mm (0.59 in.)/-15 mm (0.59 in.)	100 mm (3.94 in.)
Up to 15,000 mm (590.55 in.)	+15 mm (0.59 in.)/-30 mm (1.18 in.)	120 mm (4.72 in.)
Up to 20,000 mm (787.00 in.)	+15 mm (0.59 in.)/-45 mm (1.77 in.)	140 mm (5.51 in.)

Note: Tolerance of total length has no influence on the stroke length.

Controlling design dimensions are in millimeters and measurements in ( ) are in inches

Fig. 29: Temposonics® RFV with ring magnet, part 2

### Installation of RFV

Note the following information when mounting and handling an RFV sensor:

1. Always insert the flexible sensor rod in a support tube (e.g. sensor rod HD/HL/HP or HFP profile). The support tube has to be made of non-magnetic material and has to have an inside diameter of minimum 9.4 mm (0.37 in.) (Fig. 30). The support tube can be straight or bent.
2. Do never bend beyond the minimum bending radius of 250 mm (9.84 in.).
3. Note the minimum distance to a spatial limitation of 300 mm (11.81 in.), when mounting/dismounting the sensor. The recommended distance is 500 mm (20 in.) (Fig. 31).
4. Note the non-flexible area of the sensor rod from the flange of 107 mm (4.21 in.) (for RFV-B) respectively 97 mm (3.82 in.) (for RFV-M/S).

#### NOTICE

Smaller radiuses < 250 mm (9.84 in.) cause damage to the flexible sensor rod.

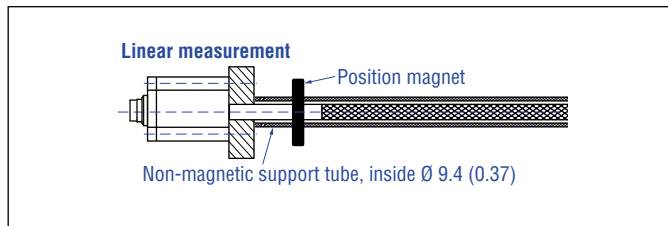


Fig. 30: Sensor with support tube

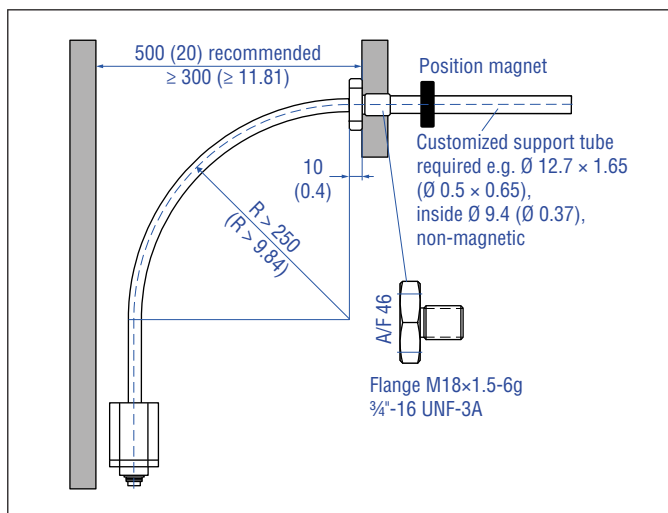


Fig. 31: Clearances for installation and handling

Controlling design dimensions are in millimeters and measurements in ( ) are in inches

### Mounting the RFV

#### 1. RFV-B

- Insert the flexible sensor rod in a support tube.
- Mount the sensor electronics housing by means of three non-magnetic socket head screws M4x59. Fastening torque: 1.4 Nm (Fig. 32). Secure the screws, e.g. using Loctite 243, before re-installing.

Recommendation: Seal the sensor via flange.

#### 2. RFV-B with sensor rod HD/HL/HP or HFP profile (see “Frequently ordered accessories”)

Advantage: The flexible sensor rod is inserted in a support tube.

- Mount the sensor electronics housing by means of three non-magnetic socket head screws M4x59. Fastening torque: 1.4 Nm (Fig. 32). Secure the screws, e.g. using Loctite 243, before re-installing.
- Installation details: see below

#### 3. RFV-M/S

- Insert the flexible sensor rod in a support tube.
- Mount the sensor via flange.
- Installation details: see below
- Please note that liquid can enter the sensor between the thread and the flexible rod.

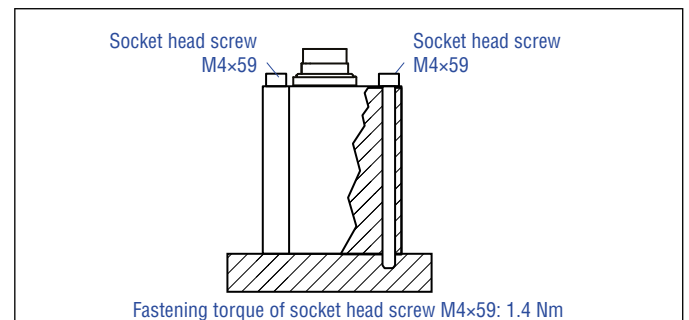


Fig. 32: Mounting with socket head screws M4x59

#### NOTICE

To fulfill the requirements of EMC standards for emission and immunity the following points are necessary:

- The sensor electronics housing has to be connected to machine ground (Fig. 98).
- Embed the flexible sensor element in an appropriately shielded environment, e.g. in a sensor rod HD/HL/HP or HFP profile.

**Installation of RFV with threaded flange »M«, »S«**

Fix the sensor rod via threaded flange M18×1.5-6g or ¾"-16 UNF-3A. Note the fastening torque shown in Fig. 33. Lightly oil the thread before tightening.

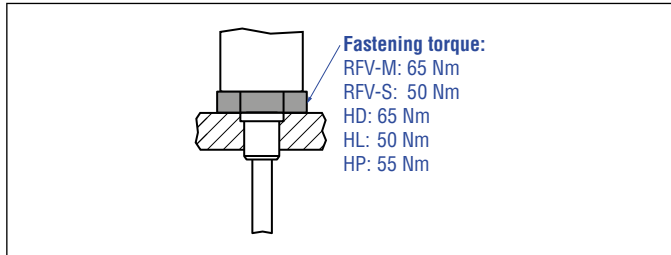


Fig. 33: Mounting example of threaded flange

**Installation of an RFV sensor with sensor rod HD/HL/HP in a fluid cylinder**

The rod-style version has been developed for direct stroke measurement in a fluid cylinder. Mount the sensor via threaded flange or a hex nut.

- Mounted on the face of the piston, the position magnet travels over the rod without touching it and indicates the exact position through the rod wall – independent of the hydraulic fluid.
- The pressure resistant sensor rod is installed into a bore in the piston rod.
- The base unit is mounted by means of three screws. It is the only part that needs to be replaced if servicing is required, i.e. the hydraulic circuit remains closed. Before inserting the base unit into the sensor rod HD/HL/HP, remove the red sealing at the transition between the sensor electronics housing and the flexible sensor rod (Fig. 34). For more information see chapter “4.11.1 Replacement of base unit on the RH5/RFV/RF5 model” on page 69.
- Seat the flange contact surface completely on the cylinder mounting surface.
- The cylinder manufacturer determines the pressure-resistant gasket (copper gasket, O-ring, etc.).
- The position magnet should not grind on the sensor rod.
- The piston rod drilling for RFV sensors with sensor rod (outer diameter 12.7 mm (0.5 in.)) is ≥ 16 mm (≥ 0.63 in.). The borehole depends on the pressure and piston speed.
- Adhere to the information relating to operating pressure.
- Protect the sensor rod against wear.

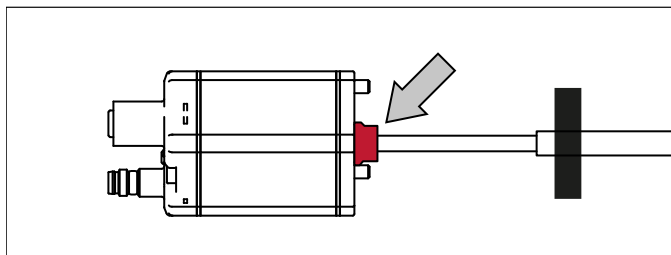


Fig. 34: Remove sealing before inserting into sensor rod HD/HL/HP

**Hydraulics sealing when using an RFV sensor in a sensor rod HD/HL/HP**

There are two ways to seal the flange contact surface (Fig. 35):

1. A sealing by using an O-ring (e.g. 22.4 × 2.65 mm (0.88 × 0.1 in.), 25.07 × 2.62 mm (0.99 × 0.1 in.)) in a cylinder end cap groove.
  2. A sealing by using an O-ring in the flange undercut.
- For threaded flange (¾"-16 UNF-3A) »S«: O-ring 16.4 × 2.2 mm (0.65 × 0.09 in.) (part no. 560 315)  
 For threaded flange (M18×1.5-6g) »M«: O-ring 15.3 × 2.2 mm (0.60 × 0.09 in.) (part no. 401 133)

In the case of threaded flange M18×1.5-6g provide a screw hole based on ISO 6149-1 (Fig. 36). See ISO 6149-1 for further information.

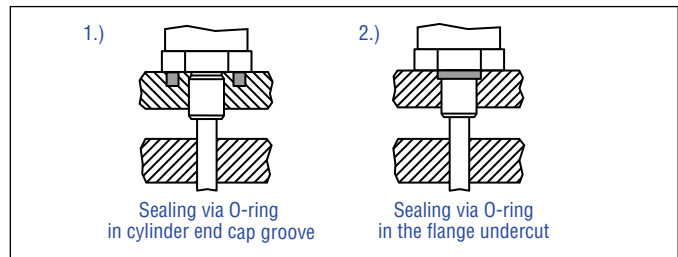


Fig. 35: Possibilities of sealing

For additional information about the accessories HFP profile and sensor rod HD/HL/HP see the accessories catalog (document part number: 551444).

**Notice for metric threaded flanges**

Thread (d <sub>1</sub> × P)	d <sub>2</sub>	d <sub>3</sub>	d <sub>4</sub>	d <sub>5</sub> +0.1 0	L <sub>1</sub> +0.4 0	L <sub>2</sub>	L <sub>3</sub>	L <sub>4</sub>	Z° ±1°
<b>RFV-M/optional sensor rod HD</b>									
M18×1.5	55	≥ 16	24.5	19.8	2.4	28.5	2	26	15°

Controlling design dimensions are in millimeters

Fig. 36: Notice for metric threaded flange M18×1.5-6g based on DIN ISO 6149-1

### Replacing an R-Series 2004 RF-C with an R-Series V RFV-B

If you are replacing the R-Series 2004 RF-C base unit with the R-Series V RFV-B base unit, note the following points:

- The R-Series 2004 RF-C base unit is attached to the system with two screws. The R-Series V RFV-B base unit is mounted to the machine with three screws.
- Therefore, we recommend using the adapter plate kit 255198. The adapter plate is used to mount the base unit RFV-B with three screws to the existing hole pattern with two screws.
  - Fasten the adapter plate to the existing hole pattern using the two M4×6 (A/F 2.5) hexagon socket screws with a tightening torque of 1.4 Nm. Ensure that the O-ring is correctly seated between the system and the adapter plate. Secure the screws with Loctite 243.
  - Place the RFV-B base unit on the adapter plate.
  - Attach the ground lug to one screw of the base unit.
  - Screw the RFV-B base unit to the adapter plate using the three M4×59 hexagon socket screws (A/F 2.5) with a tightening torque of 1.4 Nm. Ensure that the O-ring is correctly seated between the base unit and the adapter plate. Secure the screws with Loctite 243.
- The adapter plate has a thickness of 5 mm. Order the RFV-B base unit with the addition H003 to compensate for the thickness of the adapter plate: RFV-B-XXXXXX-...-H003

#### 4.7 Installation and design of Temposonics® RD5

The R-Series V RD5 consists of the following main components:

- Sensor rod and flange with cable and connector
- Sensor electronics housing with mounting block and mating connector

Fig. 37 shows the sensor rod and flange and Fig. 38 shows the cable and the connectors which are connected to the sensor rod according to the order code.

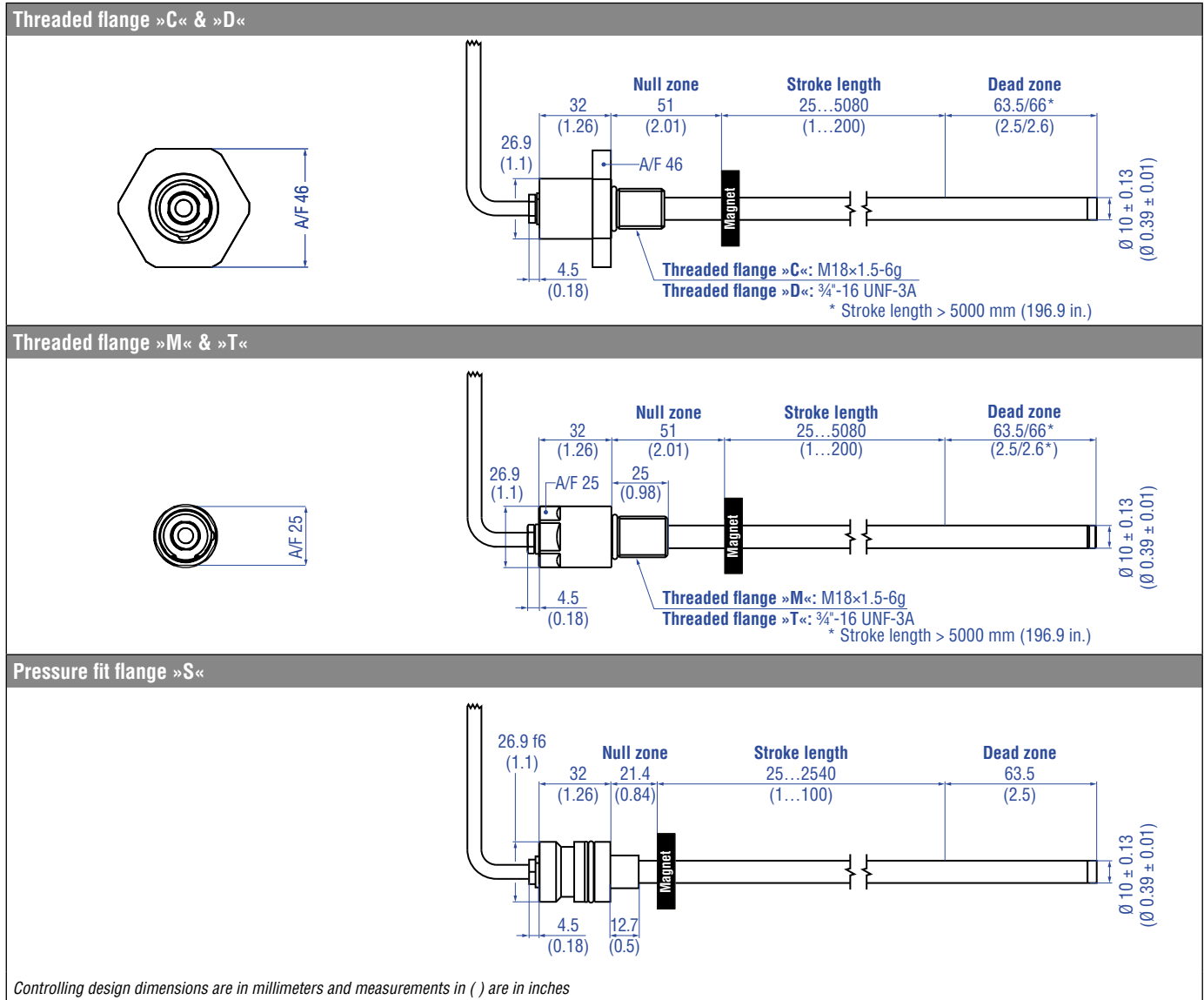




Fig. 37: Temposonics® RD5 sensor rod and flanges

Cable »J«	Cable »K«	Cable »W«
		
<p>Material: FEP jacket, tan            Min. bending radius: 57 mm (2.2 in)            Operating temperature:            -40...+120 °C (-40...+248 °F)            Max. cable length: 20 m (65.6 ft.)</p>	<p>Material: PUR jacket, black            Min. bending radius: 24 mm (0.94 in)            Operating temperature:            -40...+80 °C (-40...+176 °F)            Max. cable length: 1.15 m (3.9 ft.)</p>	<p>Single wires, unshielded            Min. bending radius: 4 mm (0.16 in.)            Operating temperature:            -40...+85 °C (-40...+185 °F)            Max. cable length: 0.5 m (1.6 ft.)</p>


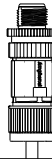
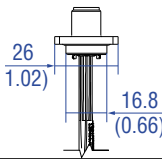

Connector »G«	Connector »S«	Connector »W«	Connector »E«
			
<p>Operating temperature:            -40...+105 °C (-40...+221 °F)            Ingress protection: IP65/IP67            (correctly fitted)            For side connection</p>	<p>Operating temperature:            -40...+105 °C (-40...+221 °F)            Ingress protection: IP67            (correctly fitted)            For side connection</p>	<p>Operating temperature:            -40...+85 °C (-40...+185 °F)            Ingress protection: IP67            (correctly fitted)            For side connection</p>	<p>Operating temperature:            -40...+85 °C (-40...+185 °F)            Ingress protection: IP30            For bottom connection</p>

Fig. 38: RD5 sensor rod cables and sensor rod connectors

Fig. 39 and Fig. 40 show the sensor electronics housing with mounting block for side connection.

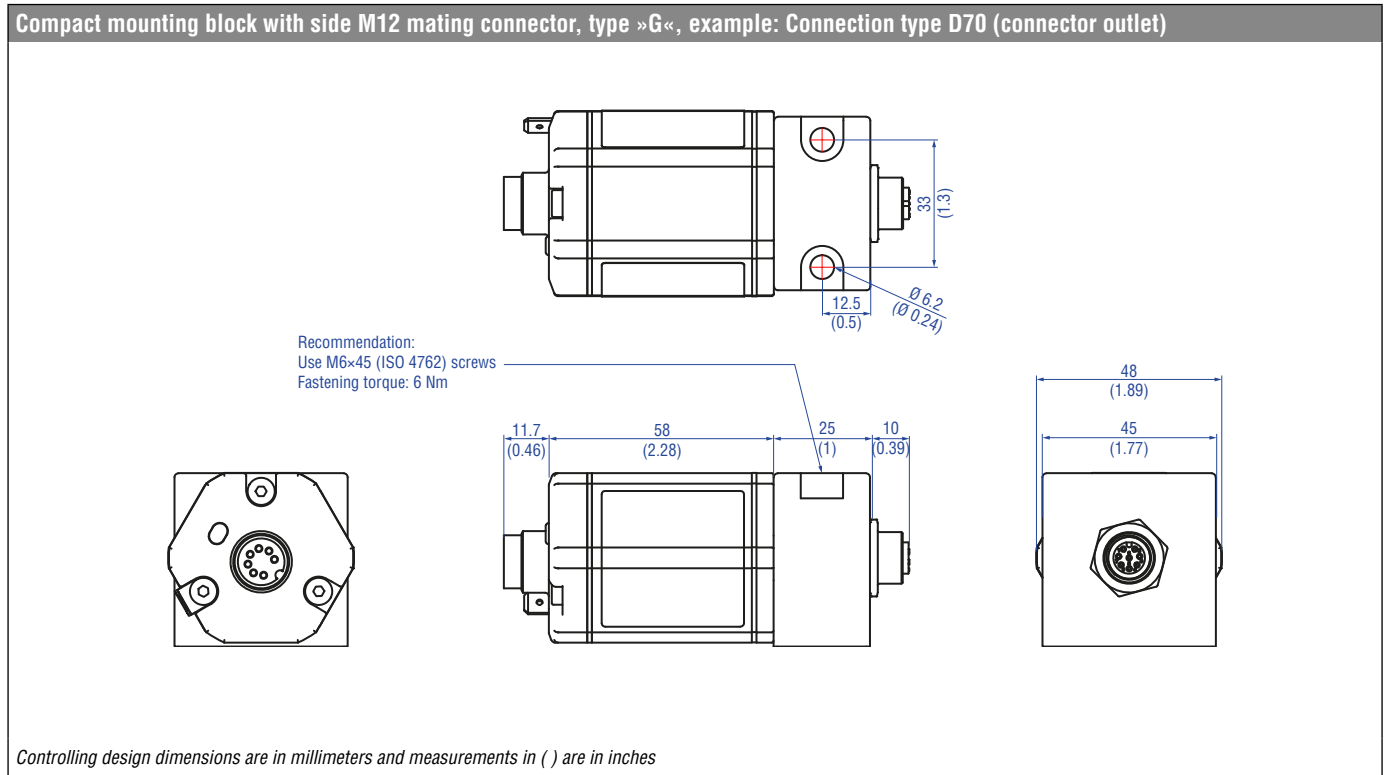


Fig. 39: Temposonics® RD5 with side connection, part 1

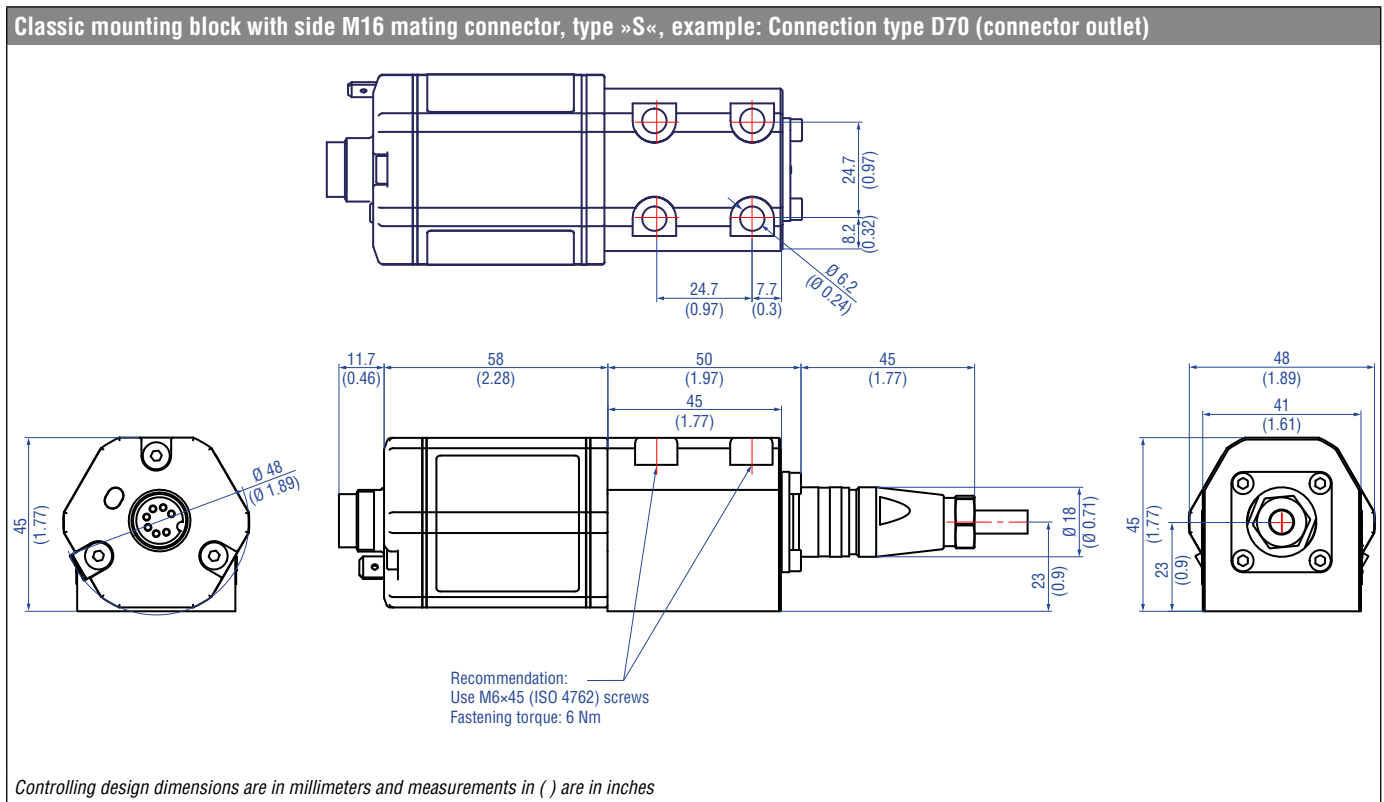


Fig. 40: Temposonics® RD5 with side connection, part 2

Fig. 41 and Fig. 42 show the sensor electronics housing with mounting block for bottom connection.

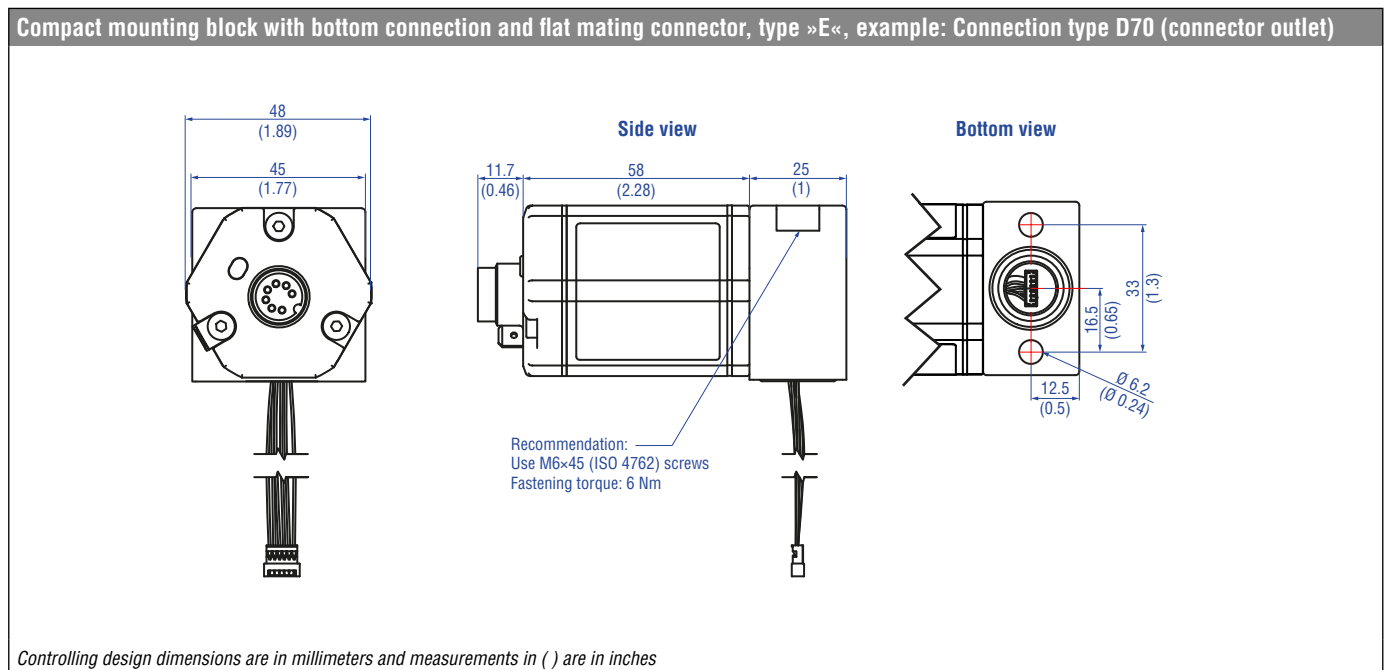


Fig. 41: Temposonics® RD5 with bottom connection, part 1

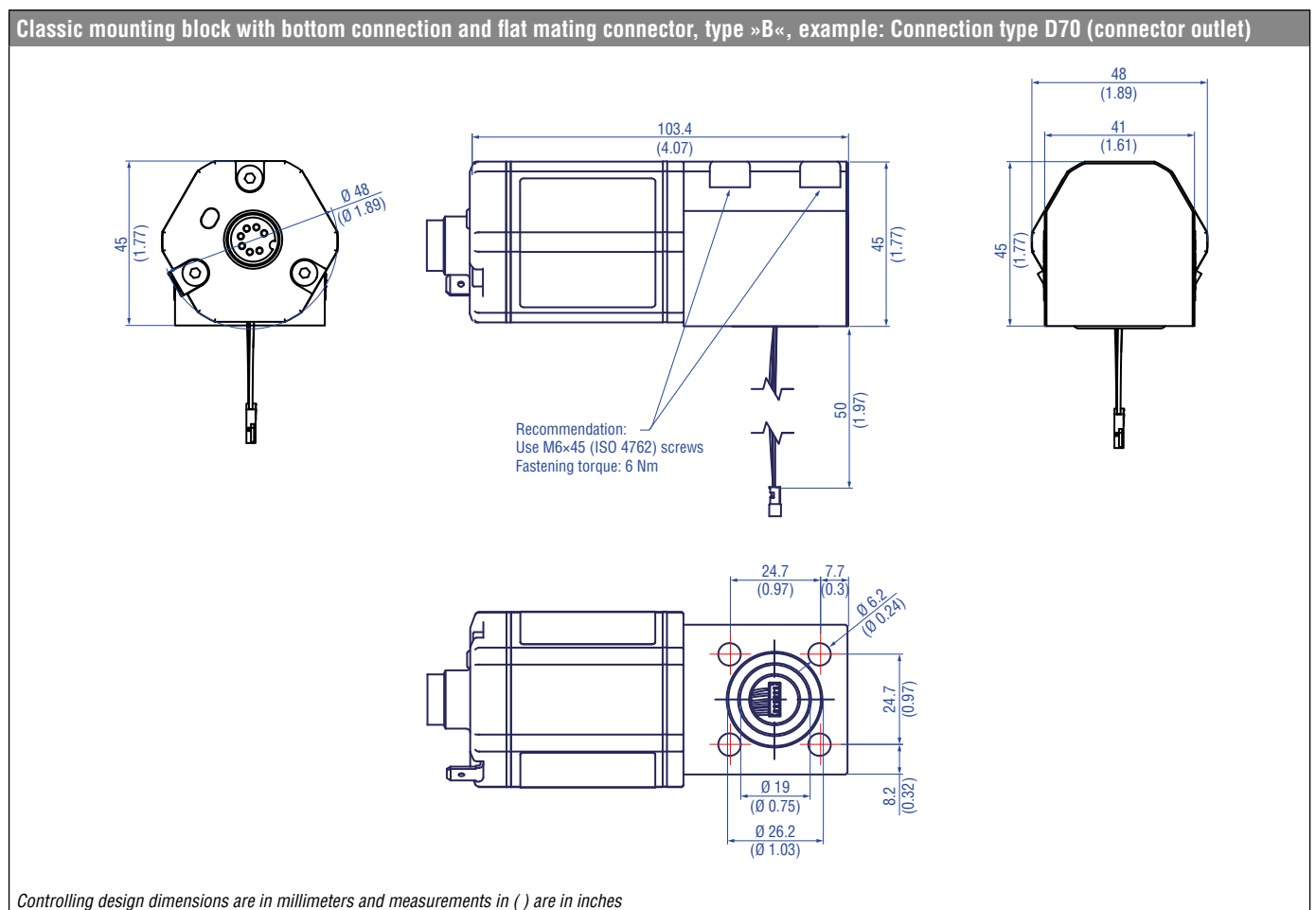


Fig. 42: Temposonics® RD5 with bottom connection, part 2

When installing the RD5 sensor, note that the components have different properties in terms of temperature rating and IP rating (Fig. 43):

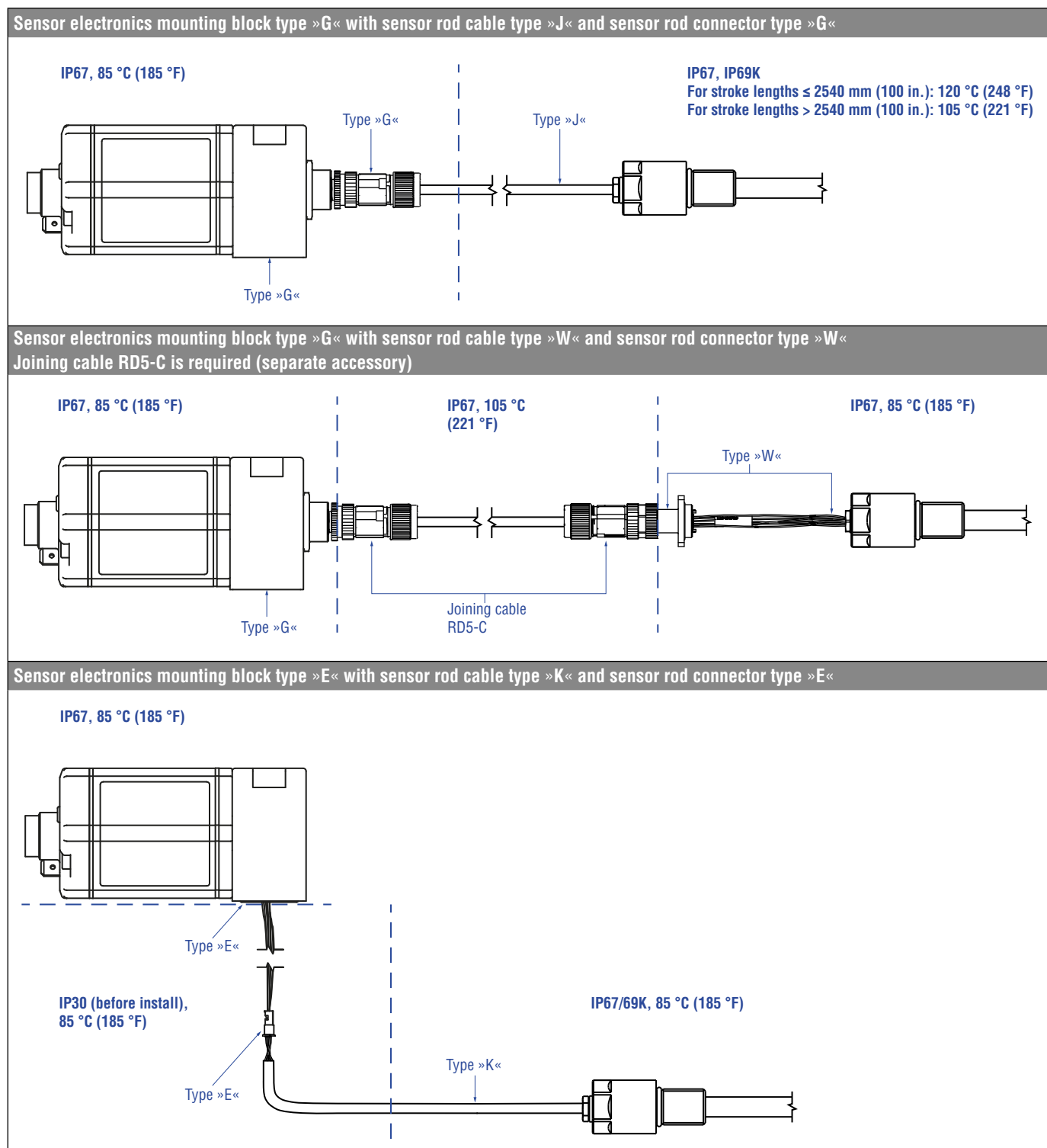


Fig. 43: Temposonics® RD5 IP and temperature ratings

**NOTICE**

Mount the sensor as follows:

1. Mount the flange with sensor rod.
2. Mount the sensor electronics housing.
3. Install and the cable between sensor rod and the sensor electronics housing and connect it.

#### 4.7.1 Installation of RD5 with threaded flange

Fix the sensor rod via threaded flange M18×1.5-6g or ¾"-16 UNF-3A. Note the fastening torque shown in Fig. 44. Lightly oil the thread before tightening.

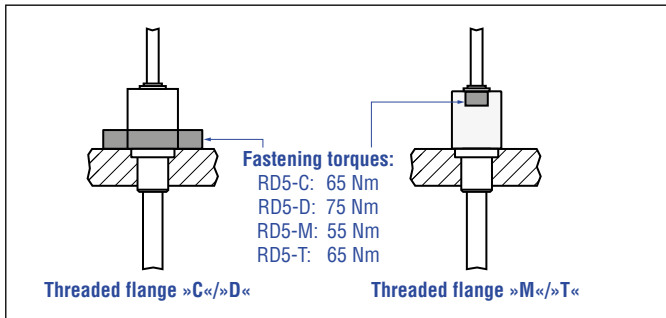
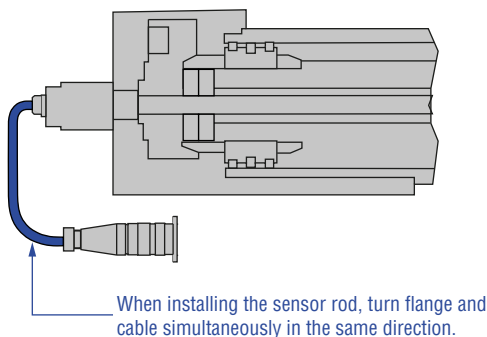


Fig. 44: Mounting example of threaded flange »C«/»D«, »M«/»T«

#### NOTICE

During installation, as the sensor rod is threaded into a cylinder port, the attached cable must be turned along with the sensor rod. This will avoid cable twisting that can defeat the cable gland's sealing and retention at the end of the rod and lead to possible failure.



#### Installation of a rod-style sensor in a fluid cylinder

The rod-style version has been developed for direct stroke measurement in a fluid cylinder. Mount the sensor via threaded flange or a hex nut.

- Mounted on the face of the piston, the position magnet travels over the rod without touching it and indicates the exact position through the rod wall – independent of the hydraulic fluid.
- The pressure resistant sensor rod is installed into a bore in the piston rod.

#### Hydraulics sealing

There are two ways to seal the flange contact surface (Fig. 45):

1. Sealing via an O-ring (e.g. 22.4 × 2.65 mm, 25.07 × 2.62 mm) in a cylinder end cap groove (for threaded flange »C«/»D«)
2. Sealing via an O-ring 16.4 × 2.2 mm (part no. 560 315) in the flange undercut.

For threaded flange (¾"-16 UNF-3A) »D«/»T«:

O-ring 16.4 × 2.2 mm (0.65 × 0.09 in.) (part no. 560 315)

For threaded flange (M18×1.5-6g) »C«/»M«:

O-ring 15.3 × 2.2 mm (0.60 × 0.09 in.) (part no. 401 133)

In the case of threaded flange M18×1.5-6g provide a screw hole based on ISO 6149-1 (Fig. 46). See ISO 6149-1 for further information.

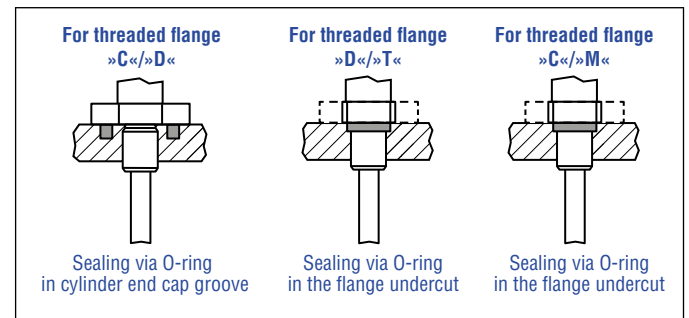


Fig. 45: Possibilities of sealing

- Seat the flange contact surface completely on the cylinder mounting surface.
- The cylinder manufacturer determines the pressure-resistant gasket (copper gasket, O-ring, etc.).
- The position magnet should not grind on the sensor rod.
- The piston rod drilling ( $\geq \emptyset 13$  mm ( $\geq \emptyset 0.51$  in.)) depends on the pressure and piston speed.
- Adhere to the information relating to operating pressure.
- Protect the sensor rod against wear.

Notice for metric threaded flanges									
Thread (d <sub>1</sub> ×P)	d <sub>2</sub>	d <sub>3</sub>	d <sub>4</sub>	d <sub>5</sub> +0.1 0	L <sub>1</sub> +0.4 0	L <sub>2</sub>	L <sub>3</sub>	L <sub>4</sub>	Z° ±1°
<b>RD5-X-C</b>									
M18×1.5	55	≥ 13	24.5	19.8	2.4	28.5	2	26	15°
<b>RD5-X-M</b>									
M18×1.5	30	≥ 13	24.5	19.8	2.4	28.5	2	26	15°

Controlling design dimensions are in millimeters

Fig. 46: Notice for metric threaded flange M18×1.5-6g based on DIN ISO 6149-1

#### 4.7.2 Installation of RD5 with pressure fit flange

##### Cylinder mounting

Install the rod using the pressure fit flange. Seal it off by means of the O-ring and the back-up ring. Block the pressure fit flange using a shoulder screw (Fig. 47). For details of the pressure fit flange »S« see Fig. 48. Also note the mounting examples in Fig. 50 and Fig. 51.

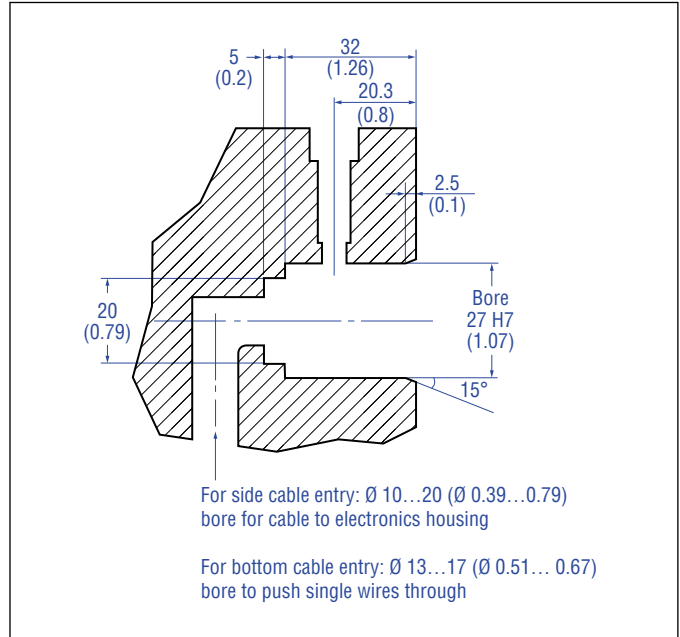


Fig. 47: Example of mounting detail: Shoulder screw 8-M6 (ISO 7379) with internal hexagon

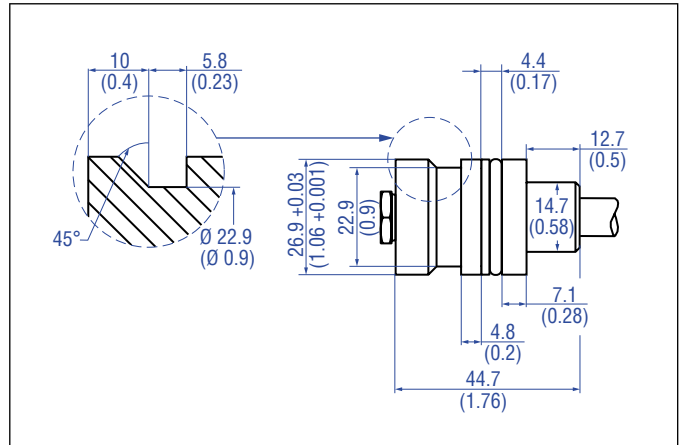


Fig. 48: Pressure fit flange »S« details

##### Note for cylinder installation:

- The position magnet should not grind on the sensor rod.
- The piston rod drilling ( $\geq \text{Ø } 13 \text{ mm}$  ( $\geq \text{Ø } 0.51 \text{ in.}$ )) depends on the pressure and piston speed.
- Adhere to the information relating to operating pressure.
- Protect the sensor rod against wear.

#### 4.7.3 Installation of RD5 sensor electronics housing

Mount the sensor electronics housing with 2 or 4 × M6×45 (ISO 4762) screws via the mounting block. Note the fastening torque of 6 Nm (Fig. 49). Position the sensor electronics housing so that there is sufficient space for the connection to the sensor rod and to the control unit. The sensor electronics mounting blocks »G« and »S« have a side connection, while the sensor electronics mounting blocks »B« und »E« have a bottom connection (Fig. 50 & Fig. 51). The »B« or »E« mounting blocks are secured and sealed over a borehole where the sensor rod cable is routed.

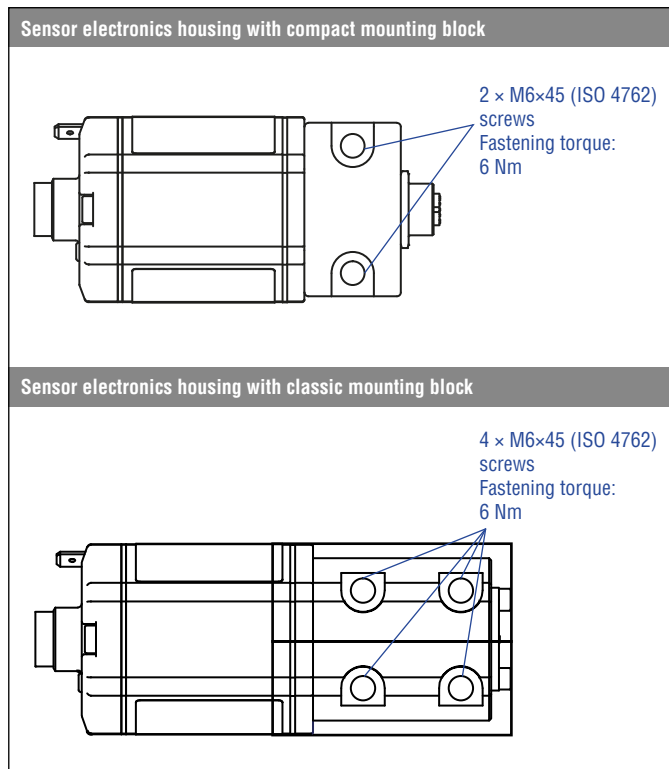


Fig. 49: Mounting of RD5 sensor electronics housing

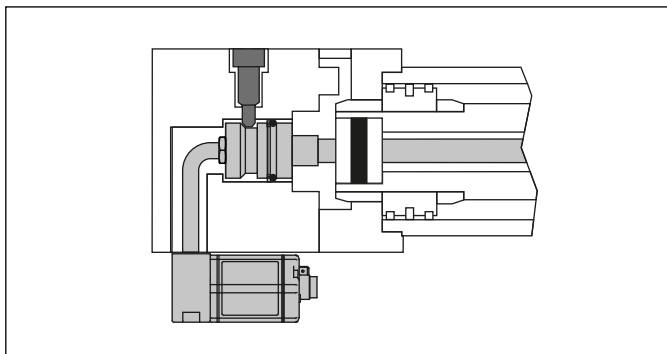


Fig. 50: RD5 with bottom connection

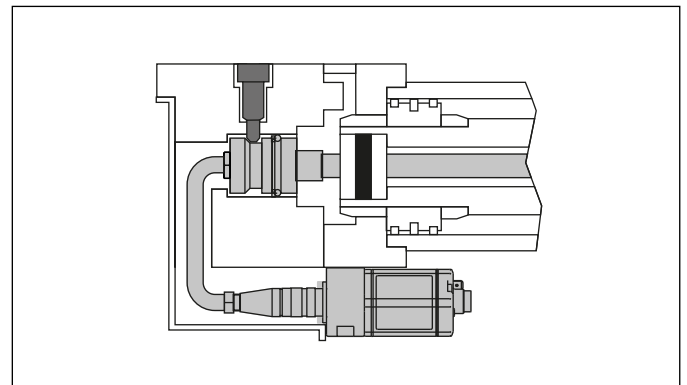


Fig. 51: RD5 with side connection

#### 4.7.4 Installation the RD5 sensor rod cables

There are three different cable types on the sensor rod:

- Type »W« has separate wires for the smallest space installations. Since the separate wires have no electrical shielding, they must be mounted in an appropriately shielded environment, such as a hydraulic cylinder end cap or other metal enclosure. Without such protection, electromagnetic interference can affect the performance of the sensor.
- Type »K« has a small bending radius that allows for tight space installations.
- Type »J« offers high temperature capability (up to 120 °C) and robust EMC protection. This allows for long cable runs between the sensor rod and the sensor electronics.

Installing the sensor rod cable/separate wires should always observe the minimum allowed bending radius (Fig. 52) and follow industry guidelines for maintaining sufficient distances from EMC noise sources, e.g. power cables, motor cables, variable frequency drives, relays, etc.

Image	Type	Advantage
	»W«	<ul style="list-style-type: none"> <li>• Single wires allows small bend radius</li> <li>• For short distances up to 50 cm</li> </ul>
	»K«	<ul style="list-style-type: none"> <li>• PUR cable with min. bend radius of 24 mm</li> <li>• For distances up to 1.15 m</li> </ul>
	»J«	<ul style="list-style-type: none"> <li>• FEP cable with min. bend radius of 57 mm</li> <li>• For great distances up to 20 m</li> </ul>

Fig. 52: Sensor rod cables

#### 4.7.5 Connecting the sensor rod to the sensor electronics

There are four different connector options for use on the sensor rod cable:

- Type »G« is an M12 connector for side connection to the sensor electronics with the compact mounting block.
- Type »S« is an M16 connector for side connection to the sensor electronics with the classic mounting block.
- Type »E« is a compact inline flat connector for bottom connection to the sensor electronics with the compact or classic mounting block.
- Type »W« is an M12 square panel mount connector. This connector requires the RD5-C joining cable to complete the connection to the sensor electronics with the compact mounting block for side connection. The installation of the M12 square panel mount connector is described below.

Connect the sensor rod connector to the mating connector on the sensor electronics mounting block (Fig. 53).

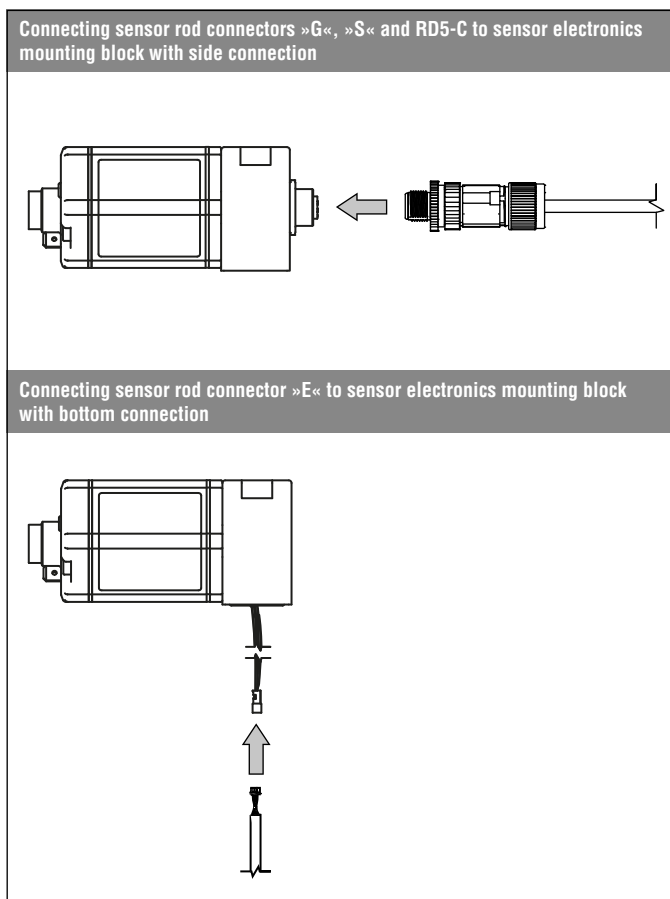


Fig. 53: Connecting sensor rod connector to sensor electronics housing

#### Installation of the M12 square panel mount connector (type »W«)

The M12 square panel mount connector is installed in a cylinder end cap (Fig. 54). The connector consists of the contact carrier (black plastic part) and the metal flange.

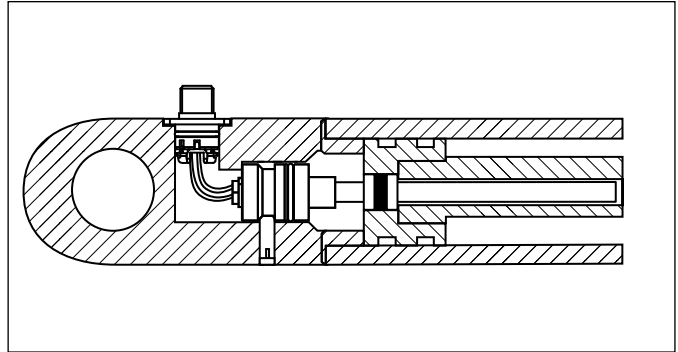


Fig. 54: M12 square panel mount connector installed in a cylinder

To install this connector, follow these steps:

- Before installing the connector, separate the contact carrier from the metal flange. Press the locking levers and pull the contact carrier out of the metal flange.
- Carefully route the contact carrier through the borehole in the cylinder wall. Ensure that the separate wires are not guided along sharp or pointed edges.
- Insert the contact carrier in the desired position into the metal flange until it snaps into place. The dimensions for attaching the metal flange to the cylinder are shown in Fig. 55.
- Lubricate the connector's O-ring and secure the metal flange down with 4 × M3 screws.
- Use the RD5-C joining cable to connect the M12 square panel mount connector to the sensor electronics mounting block. See section 4.7.7 for ordering the RD5-C joining cable.

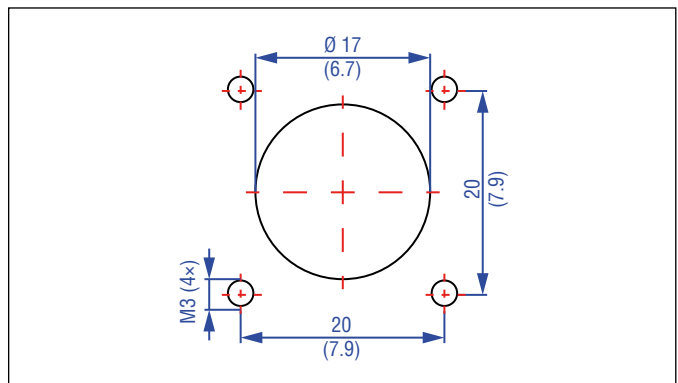


Fig. 55: Panel cut-out dimensions for the type »W« M12 square panel mount connector

#### 4.7.6 Replacing sensor rod or sensor electronics

The RD5 offers you the option of ordering the sensor rod or sensor electronics separately and connecting them to already installed sensor electronics or a sensor rod. Install the replacement components as described in sections 4.7.1, 4.7.2, and 4.7.3. Connect the replacement components to the already installed component using the cable on the sensor rod. As soon as you switch on the power supply, the two components will communicate with each other, so you do not need to adjust any further settings. If you have made changes to the previously installed sensor, such as adjusting the resolution or measuring direction, make sure that these are also adjusted on the newly installed component. The order code for a separate sensor rod or sensor electronics is shown below.

#### Order code of RD5-R (sensor rod only)

1	2	3	4	5	6	7	8	9	10	11	12	13	14	15	16
R	D	5	R												
a			b	c	d				e	f					

<b>a</b>	<b>Sensor model</b>	
R	D	5

<b>b</b>	<b>Sensor component</b>	
R	Sensor rod assembly with cable and connector	

<b>c</b>	<b>Design</b>	
C	Threaded flange M18×1.5-6g (A/F 46)	
D	Threaded flange ¾"-16 UNF-3A (A/F 46)	
M	Threaded flange M18×1.5-6g (A/F 25)	
S	Pressure fit flange Ø 26.9 mm f6	
T	Threaded flange ¾"-16 UNF-3A (A/F 25)	

<b>d</b>	<b>Sensor rod cable type and length</b>				
J	X	X	X	X	FEP cable, length in centimeters (range 0007...2000 cm). See historical available*, or select length from: 0020, 0030, 0080, 0300, 0500, 1000, 1500 or 2000 cm.
K	X	X	X	X	PUR cable, length in centimeters (range 0007...0115 cm). See historical available*, or select length from: 0020, 0030 or 0080 cm.
W	X	X	X	X	6 single wires, length in centimeters (range 0007...0050 cm). Select length from: 0007, 0010, 0015, 0020, 0030, 0040 or 0050 cm.

\*Historical lengths available:

0007 cm	0023 cm	0040 cm	0115 cm
0010 cm	0025 cm	0060 cm	
0017 cm	0035 cm	0100 cm	

Non-standard lengths for cable/wires are available; must be encoded in 1 cm increments and within the specified range

<b>e</b>	<b>Sensor rod connector type</b>	
E	Flat connector (maximum cable length on the sensor rod: 50 cm)	
G	M12 connector (only for sensor rod cable type »J« and »K«)	
S	M16 connector (only for sensor rod cable type »J« and »K«)	
W	M12 square panel mount connector (only for sensor rod cable type »W«) Requires RD5-C joining cable (ordered separately)	

<b>f</b>	<b>Stroke length</b>				
X	X	X	X	M	Flange »S«: 0025...2540 mm Flange »C«, »D«, »M«, »T«: 0025...5080 mm

Stroke length (mm)	Ordering steps
25... 500 mm	5 mm
500... 750 mm	10 mm
750...1000 mm	25 mm
1000...2500 mm	50 mm
2500...5080 mm	100 mm

X	X	X	X	U	Flange »S«: 001.0...100.0 in. Flange »C«, »D«, »M«, »T«: 001.0...200.0 in.
---	---	---	---	---	---

Stroke length (in.)	Ordering steps
1... 20 in.	0.2 in.
20... 30 in.	0.4 in.
30... 40 in.	1.0 in.
40...100 in.	2.0 in.
100...200 in.	4.0 in.

Non-standard stroke lengths are available; must be encoded in 5 mm/0.1 in. increments

**NOTICE**  
If you need the RD5-R as a replacement for the RD5-K, compare the order information **a** – **f**. See the order example on the following page.

As shown in the example below, to order the appropriate RD5-R rod, use “RD5R” for the first 4 characters and repeat the same RD5-K characters from positions 5–16 to complete a new RD5-R model number in the RD5-R positions 5–16 for the rod only.

**Order example:**

Previously ordered RD5-K sensor:

1	2	3	4	5	6	7	8	9	10	11	12	13	14	15	16	17	18	19	20	21	22	23	24	25	26	27	28	29	30		
R	D	5	K	C	J	0	0	3	0	G	1	0	0	0	U	G	0	1	D	8	4	1	S	1	0	1	1	B	1		
a			b		c					d		e	f					g	h		i			j	k	l	m	n	o	p	q

1	2	3	4	5	6	7	8	9	10	11	12	13	14	15	16		
R	D	5	R	C	J	0	0	3	0	G	1	0	0	0	U		
a			b		c					d		e	f				

► Replacement rod suitable for RD5-K sensor

**Order code of RD5-E (sensor electronics only)**

1	2	3	4	5	6	7	8	9	10	11	12	13	14	15	16	17	18	19	20	21	22																						
R	D	5	E		0					1	S		0																														
a		b			c			d			e			f			g			h			i			j			k			l			m			n					
																						optional																					

<b>a</b>	<b>Sensor model</b>		
R	D	5	Detached sensor electronics

<b>b</b>	<b>Sensor component</b>
E	Sensor electronics assembly with mounting block and mating connector

<b>c</b>	<b>Sensor electronics mounting block with mating connector</b>
B	Classic mounting block with bottom connection and flat mating connector (only for sensor rod connector type »E«)
E	Compact mounting block with bottom connection and flat mating connector (only for sensor rod connector type »E«)
G	Compact mounting block with side M12 mating connector (only for sensor rod connector type »G« and »W«)
S	Classic mounting block with side M16 mating connector (only for sensor rod connector type »S«)

<b>d</b>	<b>Number of magnets</b>	
0	X	01...02 position(s) (1...2 magnet(s))

<b>e</b>	<b>Connection type</b>
<b>Connector</b>	

D	7	0	M16 male connector (7 pin)
D	8	4	M12 male connector (8 pin)

<b>Angled cable outlet</b>			
----------------------------	--	--	--

B	X	X	XX m* PUR cable (part no. 530 175) B01...B30 (1...30 m) (Note the temperature range of the cable!) See "Frequently ordered accessories" for cable specifications
E	X	X	XX m* PVC cable (part no. 530 032) E01...E30 (1...30 m) See "Frequently ordered accessories" for cable specifications
G	X	X	XX m* FEP cable (part no. 530 157) G01...G30 (1...30 m) See "Frequently ordered accessories" for cable specifications
L	X	X	XX m* PUR cable (part no. 530 052) L01...L30 (1...30 m) (Note the temperature range of the cable!) See "Frequently ordered accessories" for cable specifications
U	X	X	XX m* Silicone cable (part no. 530 176) U01...U30 (1...30 m) See "Frequently ordered accessories" for cable specifications

<b>Straight cable outlet</b>			
------------------------------	--	--	--

H	X	X	XX m* PUR cable (part no. 530 052) H01...H30 (1...30 m) (Note the temperature range of the cable!) See "Frequently ordered accessories" for cable specifications
P	X	X	XX m* PUR cable (part no. 530 175) P01...P30 (1...30 m) (Note the temperature range of the cable!) See "Frequently ordered accessories" for cable specifications
R	X	X	XX m* PVC cable (part no. 530 032) R01...R30 (1...30 m) See "Frequently ordered accessories" for cable specifications
T	X	X	XX m* FEP cable (part no. 530 112) T01...T30 (1...30 m) See "Frequently ordered accessories" for cable specifications

\* For RD5-E the cable lengths are in meters only. To convert feet to meters use the calculation: # of feet multiplied by 0.305 = # of meters and round up to the next whole meter.

f	System
1	Standard

g	Output
S	SSI

h	Function
1	Position
2	Differential measurement (2 magnets and 1 output)
3	Velocity
4	Position and temperature in the sensor electronics housing; <b>NOTICE</b> In this case, only option <b>2</b> "24 bit" can be selected under <b>k</b> "Data length".

i	Options
0	Standard

j	Mode
1	Measuring direction forward, asynchronous mode
2	Measuring direction forward, synchronous mode 1
3	Measuring direction forward, synchronous mode 2
4	Measuring direction forward, synchronous mode 3
5	Measuring direction reverse, asynchronous mode
6	Measuring direction reverse, synchronous mode 1
7	Measuring direction reverse, synchronous mode 2
8	Measuring direction reverse, synchronous mode 3

k	Data length*
1	25 bit
2	24 bit
3	26 bit
A	24 bit + alarm bit + parity bit

l	Format
B	Binary
G	Gray

\* / The stroke length of the sensor influences the choice of resolution and data width.  
See glossary under "Resolution and data width depending on stroke length"

m	Resolution
1	5 µm
2	10 µm
3	50 µm
4	100 µm
5	20 µm
6	2 µm
7	0.1 µm*
8	1 µm
9	0.5 µm

n	Additional options (optional)
S 0 0 2	FIR filter (2 measurements)
S 0 0 4	FIR filter (4 measurements)
S 0 0 8	FIR filter (8 measurements)
S 0 0 A	No filter, error counter (4 cycles)
S 0 0 C	No filter, error counter (8 cycles)
S 0 0 D	No filter, error counter (10 cycles)
S 0 0 G	FIR filter (8 measurements), error counter (10 cycles)
S 0 0 J	IIR filter (filter grade 4)
S 0 0 K	IIR filter (filter grade 8)
S 0 0 N	IIR filter (filter grade 8), error counter (10 cycles)

**NOTICE**

- Specify the number of magnets for your application and order the magnets separately.
- The number of magnets is limited by the stroke length.  
The minimum allowed distance between magnets (i.e. front face of one to the front face of the next one) is 75 mm (3 in.).
- Use magnets of the same type for differential measurement.

**NOTICE**

If you need the RD5-E as a replacement for the RD5-K, compare the order information **g** – **r** (RD5-K) and **c** – **n** (RD5-E). See the order example on the following page.

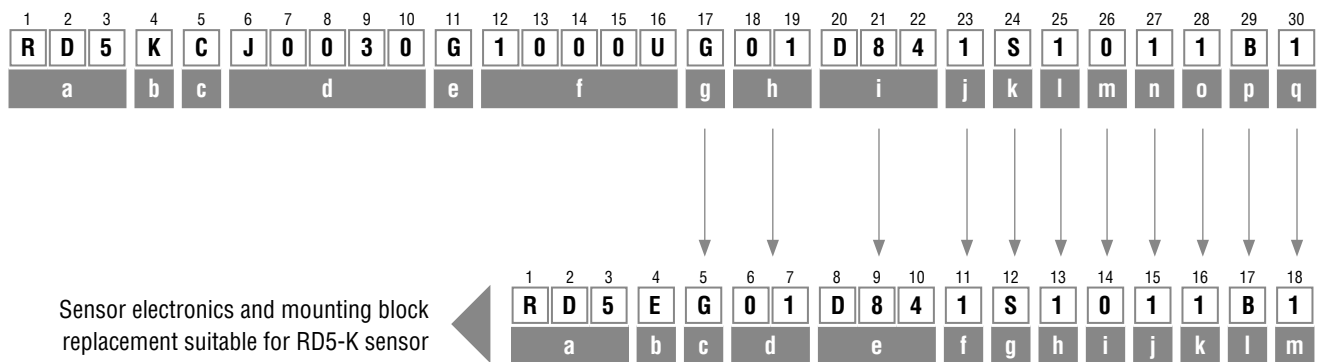
**NOTICE**

The hanging 6 conductor flat connector »E« used on the RD5-E is not compatible with the RD4 and RDV models that use two flat connectors (2 & 4 conductors). When converting from the RD4/ RDV (with bottom connection) to the RD5, both the sensor rod and the sensor electronics have to be changed at the same time.

As shown in the example below, to order the appropriate RD5-E electronics, use “RD5E” for the first 4 characters and repeat the same RD5-K characters from positions 17–30 to complete a new RD5-E model number in the RD5-E positions 5–18 for the electronics only.


**Order example:**

Previously ordered RD5-K sensor:



#### 4.7.7 Order code of Temposonics® RD5-C (joining cable)

The RD5-C joining cable is required when the sensor rod connector is the M12 square panel mount connector »W«. For ordering the joining cable, use the RD5-C model number configurator below.

1	2	3	4	5	6	7	8	9	10	11	12
R	D	5	C	J					C	M	
a			b	c					d		e

Optional

<b>a</b>	<b>Sensor model</b>		
R	D	5	Detached sensor electronics

<b>b</b>	<b>Sensor component</b>
C	Joining cable (M12 to M12)

<b>c</b>	<b>Design</b>				
J	X	X	X	X	FEP cable, length in centimeters (range 0050...2000 cm) Standard lengths are: 0050, 0100, 0300, 0500, 1000, 1500, 2000 cm
Non-standard lengths for the joining cable are available; must be encoded in 1 cm increments and within the specified range					

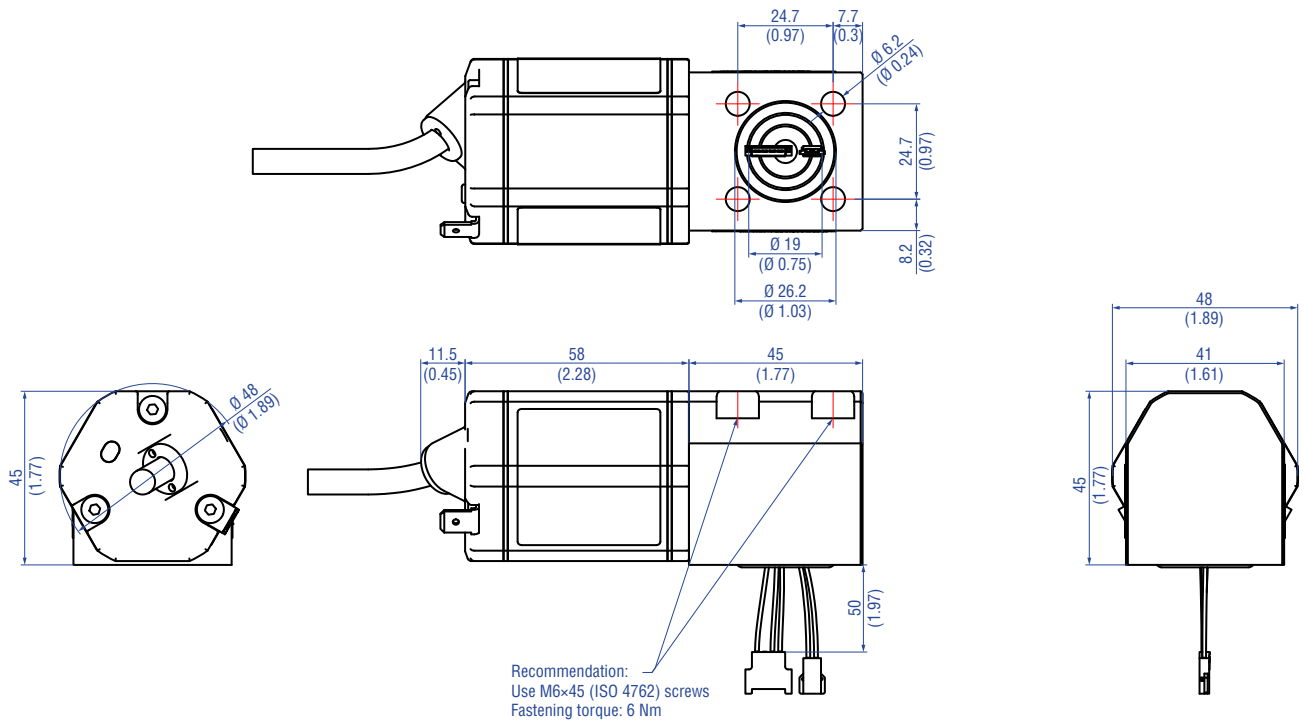
<b>d</b>	<b>Unit of measure</b>	
C	M	Length in centimeters

<b>e</b>	<b>Option</b>
R	Connection to sensor rod with angled female connector (optional)

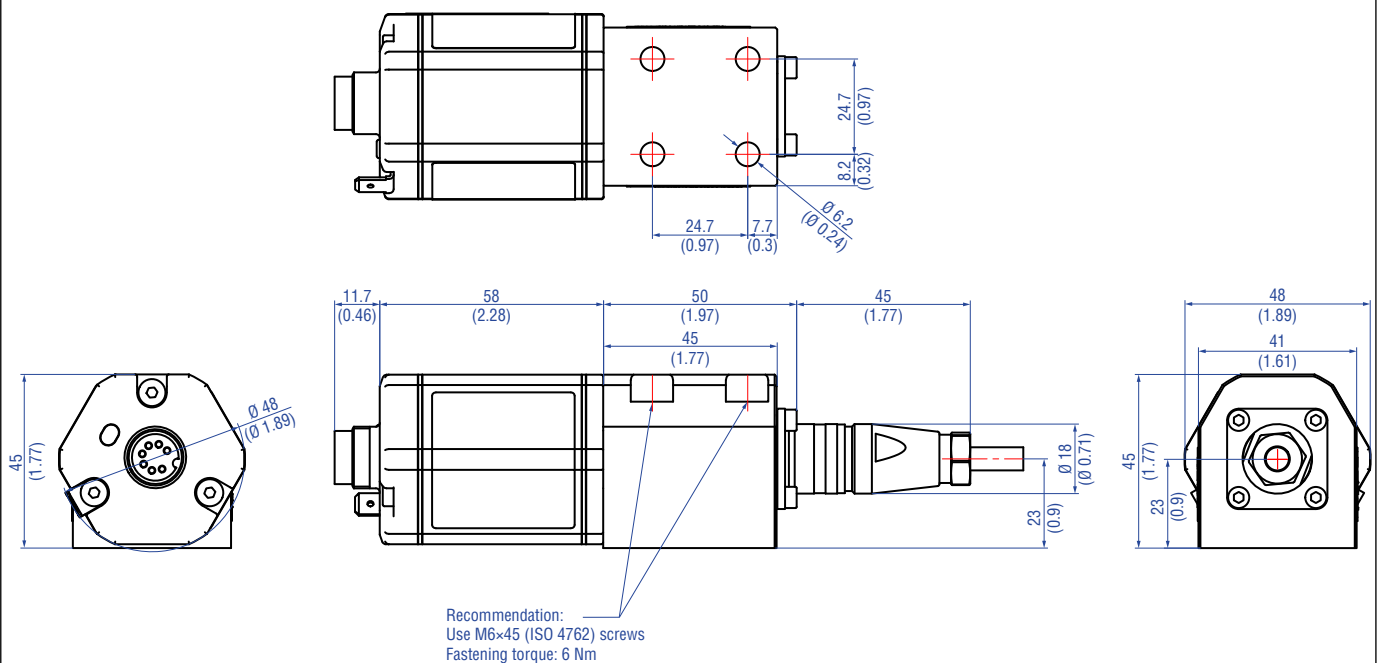
<b>NOTICE</b>	
<ul style="list-style-type: none"> <li>• Only use the RD5-C joining cable when using the M12 square panel mount connector »W«.</li> <li>• Use only one RD5-C joining cable between the sensor rod and the sensor electronics.</li> </ul>	

#### 4.8 Installation and design of Temposonics® RDV

##### RDV with bottom cable entry, example: BXX/EXX/GXX/LXX/UXX (angled cable outlet)



##### RDV with side cable entry, example: Connector D70 (connector outlet)



Controlling design dimensions are in millimeters and measurements in ( ) are in inches

Fig. 56: Temposonics® RDV sensor electronics housing, part 1

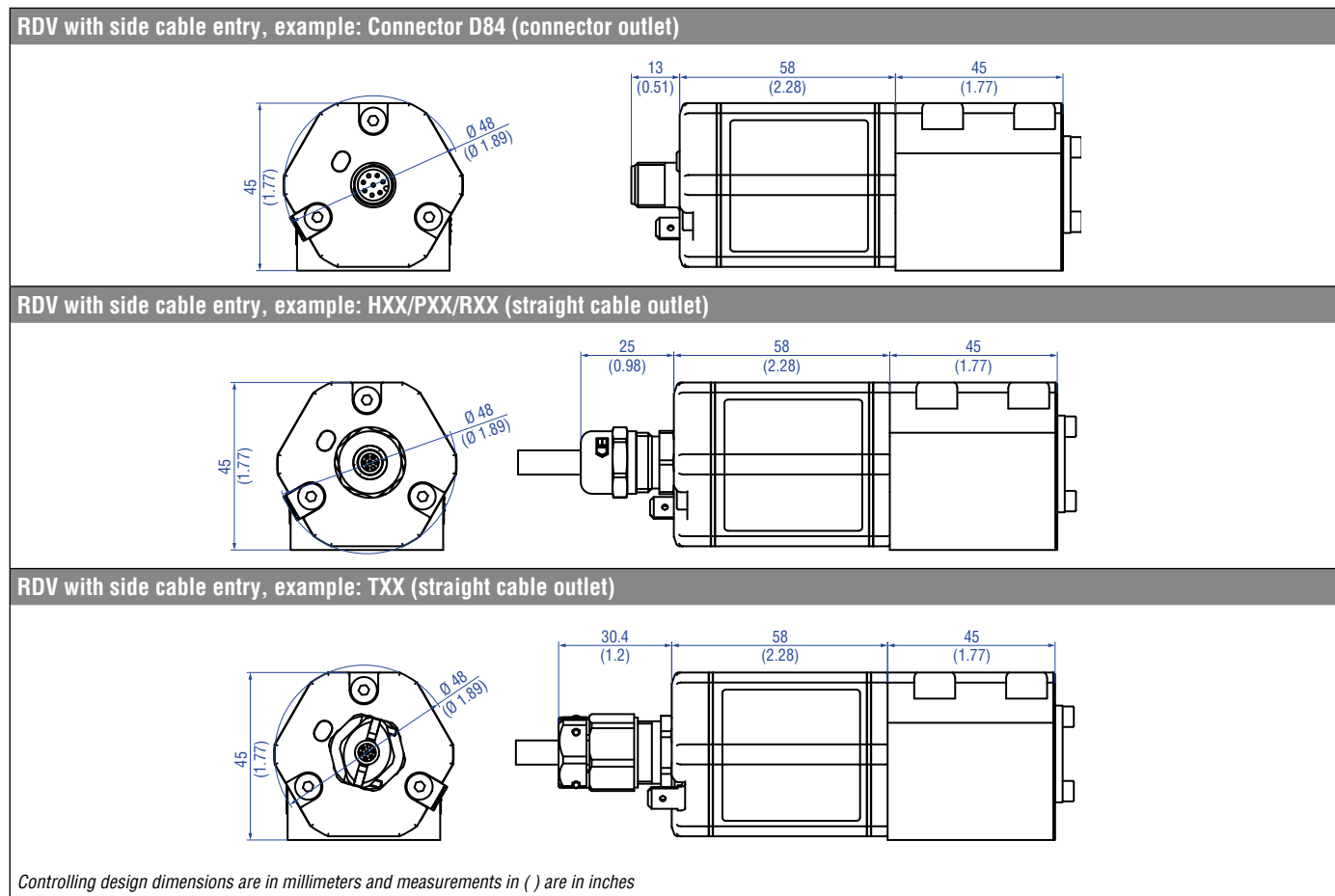
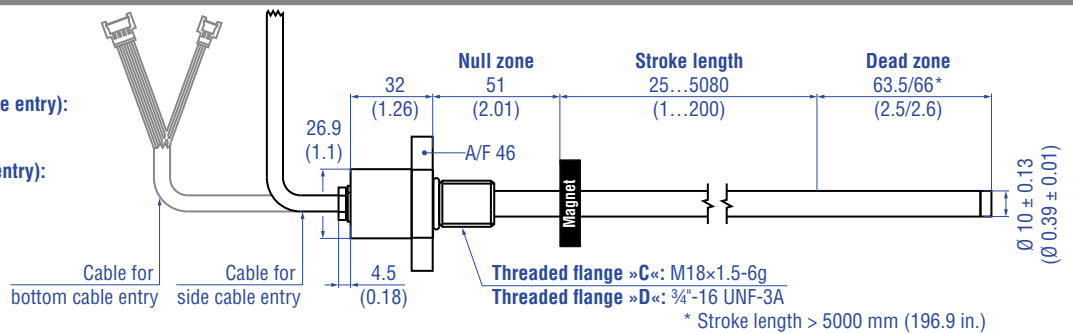


Fig. 57: Temposonics® RDV sensor electronics housing, part 2

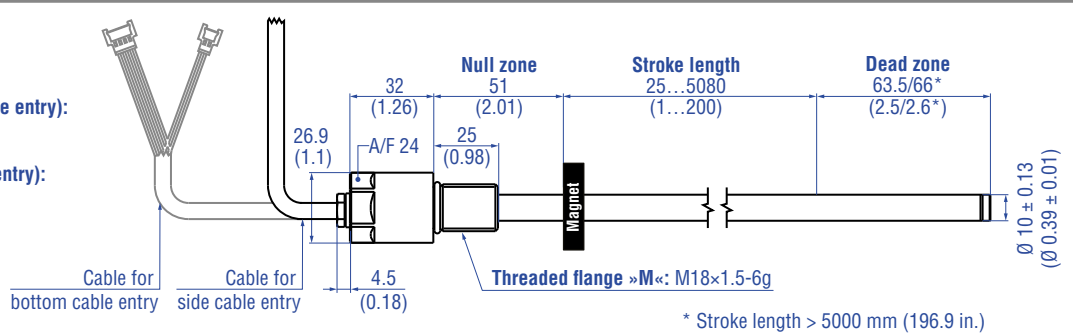
**Threaded flange »C« & »D« (for bottom or side cable entry)**

**PUR cable:**  
Ø 6 (Ø 0.24)  
**Bending radius:**  
> 24 (> 0.94)  
**Cable length (bottom cable entry):**  
65/170/230/350  
(2.6/6.7/9.1/13.8)  
**Cable length (side cable entry):**  
250/400/600  
(9.8/15.7/23.6)



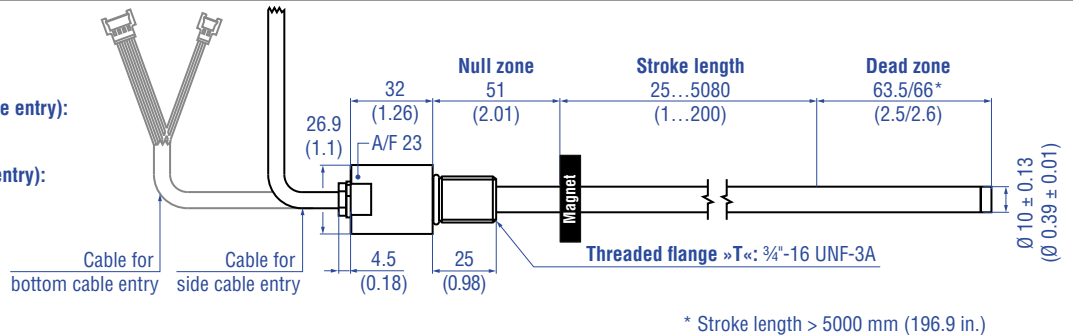
**Threaded flange »M« (for bottom or side cable entry)**

**PUR cable:**  
Ø 6 (Ø 0.24)  
**Bending radius:**  
> 24 (> 0.94)  
**Cable length (bottom cable entry):**  
65/170/230/350  
(2.6/6.7/9.1/13.8)  
**Cable length (side cable entry):**  
250/400/600  
(9.8/15.7/23.6)



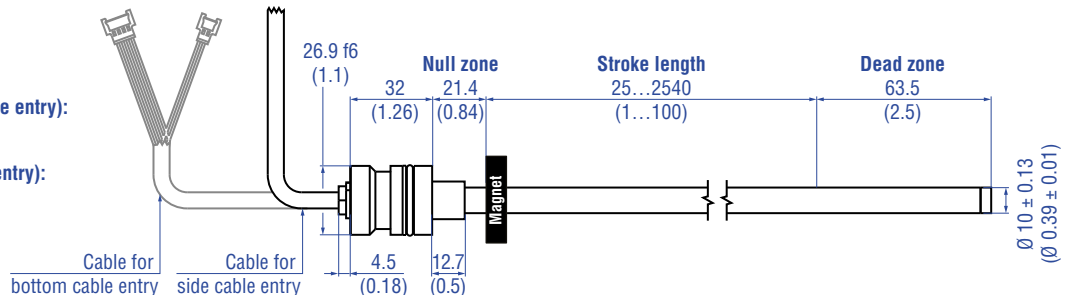
**Threaded flange »T« (for bottom or side cable entry)**

**PUR cable:**  
Ø 6 (Ø 0.24)  
**Bending radius:**  
> 24 (> 0.94)  
**Cable length (bottom cable entry):**  
65/170/230/350  
(2.6/6.7/9.1/13.8)  
**Cable length (side cable entry):**  
250/400/600  
(9.8/15.7/23.6)



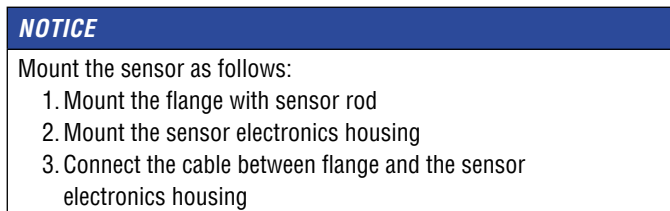
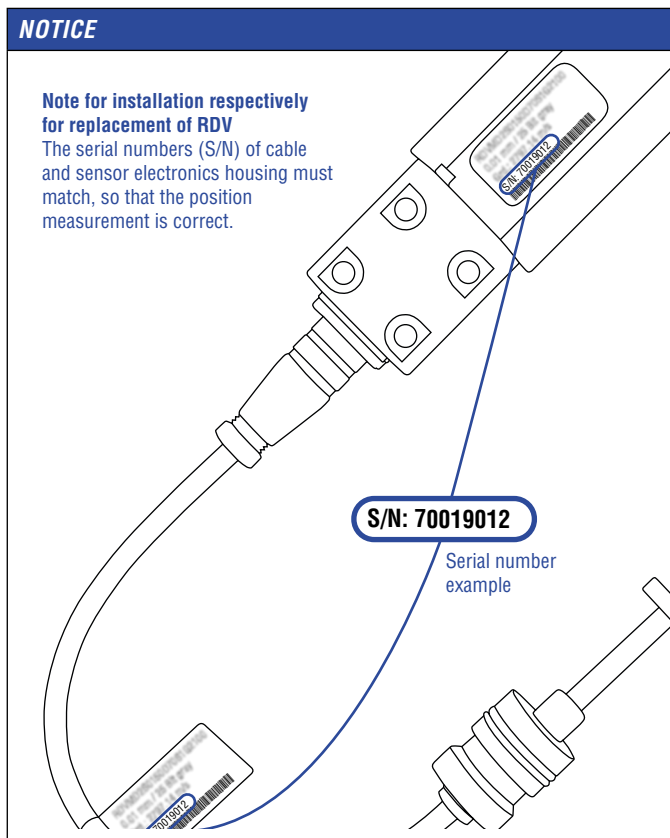
**Pressure fit flange »S« (for bottom or side cable entry)**

**PUR cable:**  
Ø 6 (Ø 0.24)  
**Bending radius:**  
> 24 (> 0.94)  
**Cable length (bottom cable entry):**  
65/170/230/350  
(2.6/6.7/9.1/13.8)  
**Cable length (side cable entry):**  
250/400/600  
(9.8/15.7/23.6)



Controlling design dimensions are in millimeters and measurements in ( ) are in inches

Fig. 58: Temposonics® RDV flanges



The steps mentioned above will be explained in the following sections.

#### 4.8.1 Installation of RDV with threaded flange

Fix the sensor rod via threaded flange M18×1.5-6g or ¾"-16 UNF-3A. Note the fastening torque shown in Fig. 59. Lightly oil the thread before tightening.

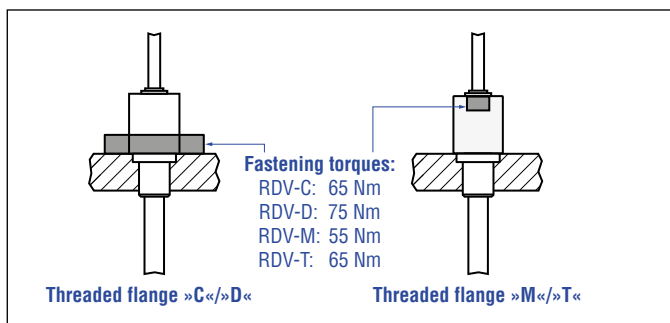


Fig. 59: Mounting example of threaded flange »C«/»D«, »M«/»T«

#### Installation of a rod-style sensor in a fluid cylinder

The rod-style version has been developed for direct stroke measurement in a fluid cylinder. Mount the sensor via threaded flange or a hex nut.

- Mounted on the face of the piston, the position magnet travels over the rod without touching it and indicates the exact position through the rod wall – independent of the hydraulic fluid.
- The pressure resistant sensor rod is installed into a bore in the piston rod.

#### Hydraulics sealing

There are two ways to seal the flange contact surface (Fig. 60):

1. Sealing via an O-ring (e.g. 22.4 × 2.65 mm, 25.07 × 2.62 mm) in a cylinder end cap groove (for threaded flange »C«/»D«)
2. Sealing via an O-ring 16.4 × 2.2 mm (part no. 560 315) in the flange undercut.

For threaded flange (¾"-16 UNF-3A) »D«/»T«:

O-ring 16.4 × 2.2 mm (0.65 × 0.09 in.) (part no. 560 315)

For threaded flange (M18×1.5-6g) »C«/»M«:

O-ring 15.3 × 2.2 mm (0.60 × 0.09 in.) (part no. 401 133)

In the case of threaded flange M18×1.5-6g provide a screw hole based on ISO 6149-1 (Fig. 61). See ISO 6149-1 for further information.

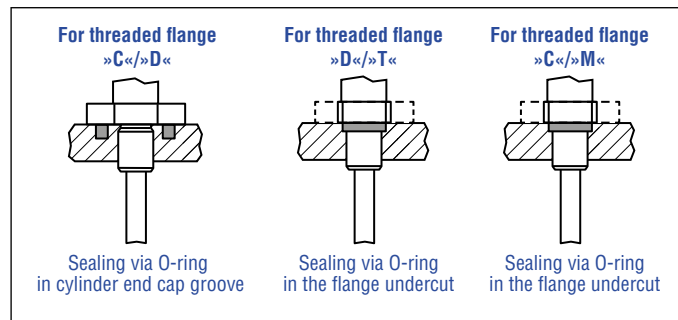


Fig. 60: Possibilities of sealing

- Seat the flange contact surface completely on the cylinder mounting surface.
- The cylinder manufacturer determines the pressure-resistant gasket (copper gasket, O-ring, etc.).
- The position magnet should not grind on the sensor rod.
- The piston rod drilling ( $\geq \varnothing 13$  mm ( $\geq \varnothing 0.51$  in.)) depends on the pressure and piston speed.
- Adhere to the information relating to operating pressure.
- Protect the sensor rod against wear.

Notice for metric threaded flanges									
Thread (d <sub>1</sub> × P)	d <sub>2</sub>	d <sub>3</sub>	d <sub>4</sub>	d <sub>5</sub> +0.1 0	L <sub>1</sub> +0.4 0	L <sub>2</sub>	L <sub>3</sub>	L <sub>4</sub>	Z° ±1°
<b>RDV-C</b>									
M18×1.5	55	≥ 13	24.5	19.8	2.4	28.5	2	26	15°
<b>RDV-M</b>									
M18×1.5	30	≥ 13	24.5	19.8	2.4	28.5	2	26	15°

Controlling design dimensions are in millimeters

Fig. 61: Notice for metric threaded flange M18×1.5-6g based on DIN ISO 6149-1

#### 4.8.2 Installation of RDV with pressure fit flange

##### Cylinder mounting

Install the rod using the pressure fit flange. Seal it off by means of the O-ring and the back-up ring. Block the pressure fit flange using a shoulder screw (Fig. 62). For details of the pressure fit flange »S« see Fig. 63. Also note the mounting examples in Fig. 64 and Fig. 65.

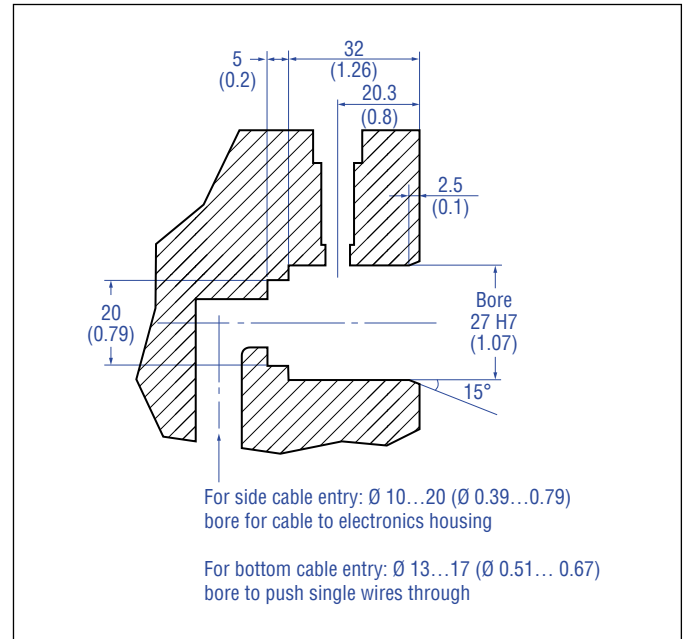


Fig. 62: Example of mounting detail: Shoulder screw 8-M6 (ISO 7379) with internal hexagon

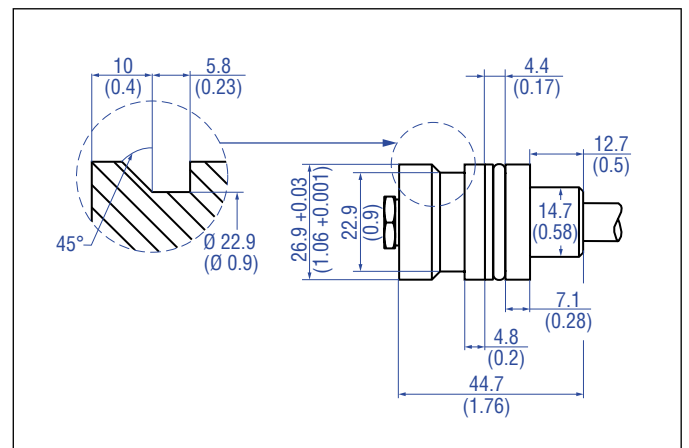


Fig. 63: Pressure fit flange »S« details

##### Note for cylinder installation:

- The position magnet should not grind on the sensor rod.
- The piston rod drilling ( $\geq \text{Ø } 13 \text{ mm}$  ( $\geq \text{Ø } 0.51 \text{ in.}$ )) depends on the pressure and piston speed.
- Adhere to the information relating to operating pressure.
- Protect the sensor rod against wear.

Controlling design dimensions are in millimeters and measurements in ( ) are in inches

### 4.8.3 Installation of RDV's sensor electronics housing

The following section explains the connection of an RDV sensor with bottom cable entry (Fig. 64) and side cable entry (Fig. 65) based on RDV-S. The sensor electronics housing of RDV sensors with threaded flange are mounted in the same way.

#### Sensor electronics housing with bottom cable entry

Connect the rod via the connector to the sensor electronics housing. Mount the sensor electronics housing so that you can lead the cables below the bottom of the housing. Thus the sensor system including the connection cables is fully encapsulated and protected against external disturbances (Fig. 64). Note the bending radius of the cable if you run the cable between sensor electronics housing and rod (see Fig. 58).

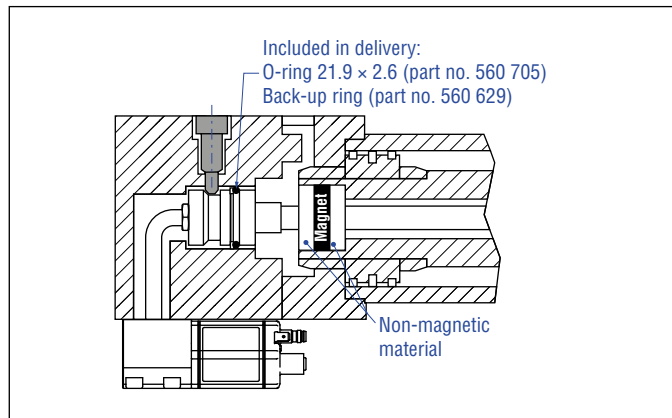


Fig. 64: Mounting example of pressure fit flange »S« and sensor electronics housing with bottom cable entry

#### Sensor electronics housing with side cable entry

Connect the rod via the cable to the sensor electronics housing on the side. Encapsulate the sensor system including the connection cables (Fig. 65). Note the bending radius of the cable if you run the cable between sensor electronics housing and rod (see Fig. 58).

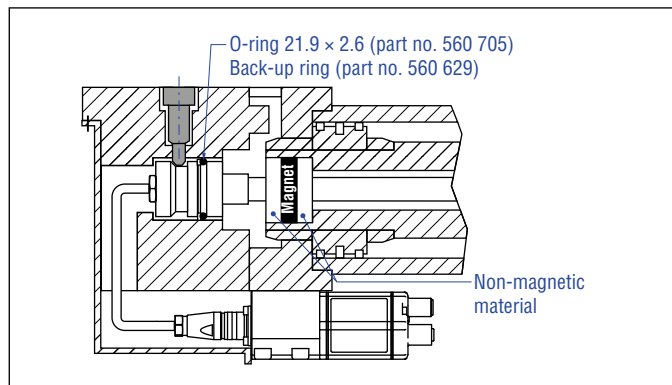


Fig. 65: Mounting example of pressure fit flange »S« and sensor electronics housing with side cable entry

Controlling design dimensions are in millimeters and measurements in ( ) are in inches

### NOTICE

To fulfill the requirements of EMC standards for emission and immunity the following points are necessary:

- The sensor electronics housing has to be connected to machine ground (Fig. 98).
- The cable between the sensor and the electronics must be integrated into a metallic housing.

Connect the flange to the sensor electronics housing via the molex connectors for bottom cable entry respectively via the 6 pin cable for side cable entry.

The connection cable between the sensor rod and sensor electronics at the side cable entry has the following properties:

Material: PUR jacket; black  
Features: Highly flexible, mostly oil & flame resistant  
Cable Ø: 5.9 mm (0.23 in.)  
Cross section:  $3 \times 2 \times 0.14 \text{ mm}^2$   
Bending radius:  $4 \times D$   
(fixed installation)  
Operating temperature:  
 $-40 \dots +80 \text{ °C}$  ( $-40 \dots +176 \text{ °F}$ )

Note these properties when installing the sensor.

### 4.8.4 Mounting of sensor electronics housing

Mount the sensor electronics housing with  $4 \times M6 \times 45$  (ISO 4762) screws via the mounting block. Note the fastening torque of 6 Nm.

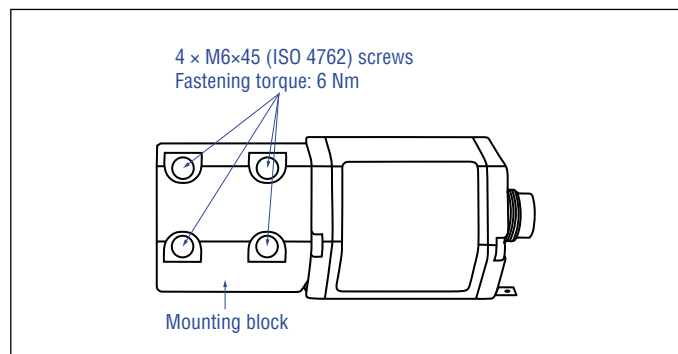


Fig. 66: Mounting of RDV's sensor electronics housing (example of bottom cable entry)

#### 4.9 Magnet installation

##### Typical use of magnets




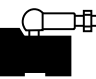
Magnet	Typical sensors	Benefits
 <b>Ring magnets</b>	<b>Rod model</b> (RH5, RM5, RF5, RFV, RD5, RDV)	<ul style="list-style-type: none"> <li>Rotationally symmetrical magnetic field</li> </ul>
 <b>U-magnets</b>	<b>Profile &amp; rod models</b> (RP5, RH5, RM5, RF5, RFV, RD5, RDV)	<ul style="list-style-type: none"> <li>Height tolerances can be compensated, because the magnet can be lifted off</li> </ul>
 <b>Block magnets</b>	<b>Profile &amp; rod models</b> (RP5, RH5, RM5, RF5, RFV, RD5, RDV)	<ul style="list-style-type: none"> <li>Height tolerances can be compensated, because the magnet can be lifted off</li> </ul>
 <b>Magnet sliders</b>	<b>Profile models</b> (RP5)	<ul style="list-style-type: none"> <li>The magnet is guided by the profile</li> <li>The distance between the magnet and the waveguide is strictly defined</li> <li>Easy coupling via the ball joint</li> </ul>

Fig. 67: Typical use of magnets

##### Mounting ring magnets, U-magnets & block magnets

Install the magnet using non-magnetic material for mounting device, screws, spacers etc.. The magnet must not grind on the sensor rod/profile. Alignment errors are compensated via the air gap.

- Permissible surface pressure: Max. 40 N/mm<sup>2</sup> (only for ring magnets and U-magnets)
- Fastening torque for M4 screws: 1 Nm; use washers, if necessary
- Minimum distance between position magnet and any magnetic material has to be 15 mm (0.6 in.) (Fig. 70).
- If no other option exists and magnetic material is used, observe the specified dimensions (Fig. 70).

##### NOTICE

- Mount ring magnets and U-magnets concentrically.
- Mount block magnets centrically over the sensor rod or the sensor profile. The maximum permissible air gap must not be exceeded (Fig. 68/ Fig. 69).
- Take care to mount the primary sensor axis in parallel to the magnet path in order to avoid damage to the carriage, magnet and sensor rod/profile.

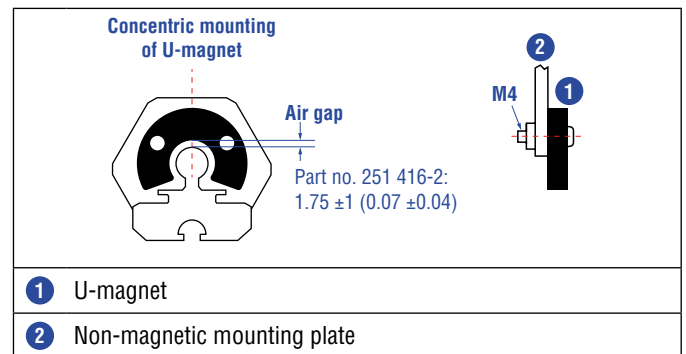


Fig. 68: Mounting of U-magnet (part no. 251 416-2)

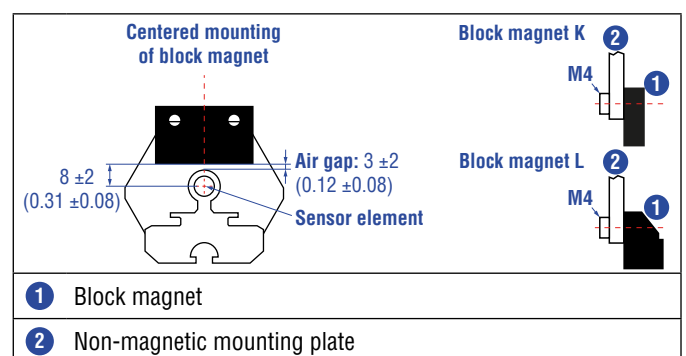


Fig. 69: Mounting of block magnet (part no. 403 448)

##### Magnet mounting with magnetic material

When using magnetic material the dimensions of Fig. 70 must be observed.

- If the position magnet aligns with the drilled piston rod
- If the position magnet is set further into the drilled piston rod, install another non-magnetic spacer (e.g. part no. 400 633) above the magnet.

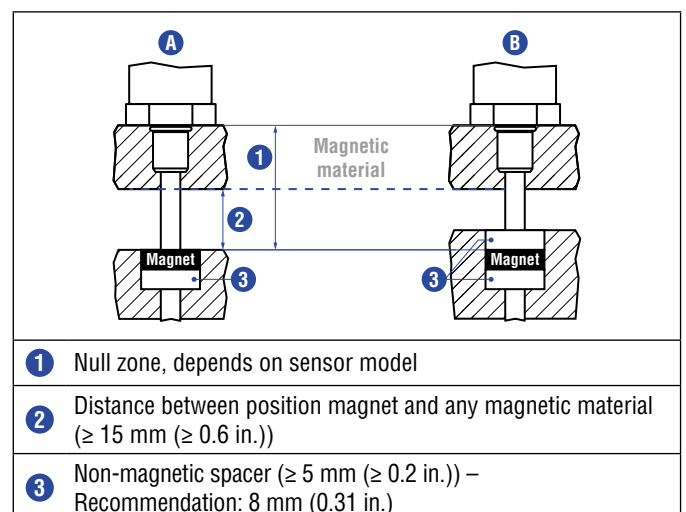


Fig. 70: Installation with magnetic material

**Rod sensors with stroke lengths  $\geq 1$  meter (3.3 ft.)**

Support horizontally installed sensors with a stroke length of 1 meter (3.3 ft.) and more mechanically at the rod end. Without using a support, the sensor rod bends over and the rod and the position magnet may be damaged. A false measurement result is also possible. Longer rods require evenly distributed mechanical support over the entire length (e.g. part no. 561 481). Use an U-magnet (Fig. 71) for measurement.

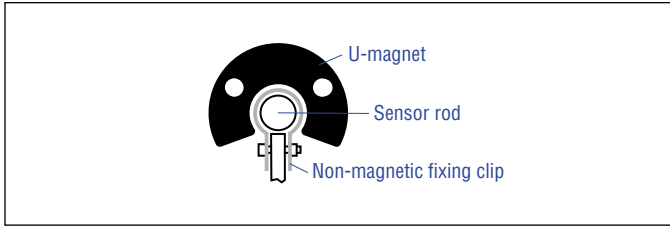


Fig. 71: Example of sensor support (part no. 561 481)

**Start- and end positions of the position magnets**

Consider the start and end positions of the position magnets during the installation. To ensure that the entire stroke length is electrically usable, the position magnet must be mechanically mounted as follows.

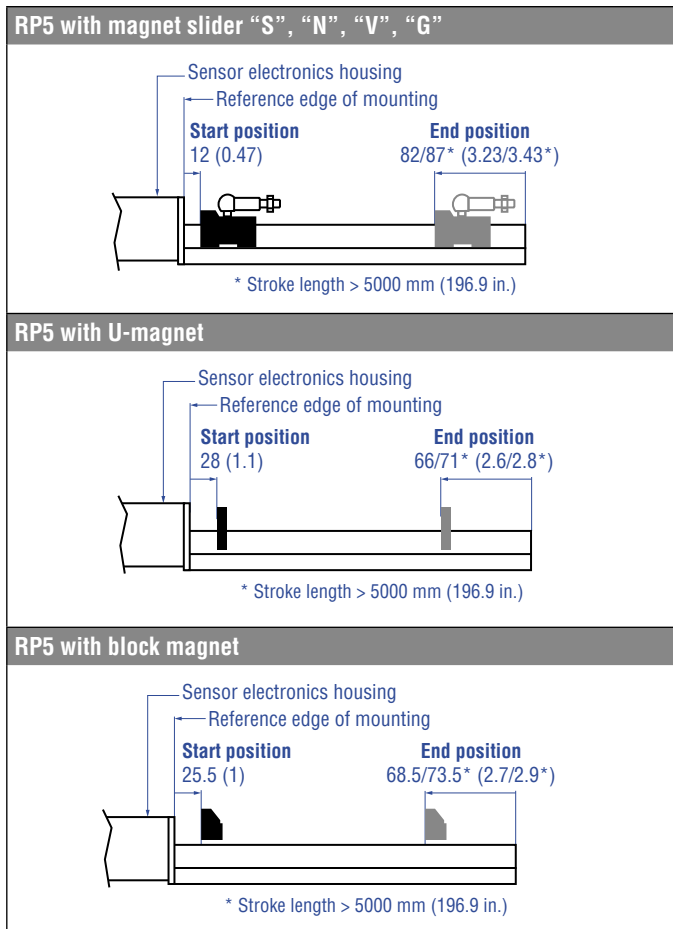


Fig. 72: Start- and end positions of magnets for RP5

Controlling design dimensions are in millimeters and measurements in ( ) are in inches

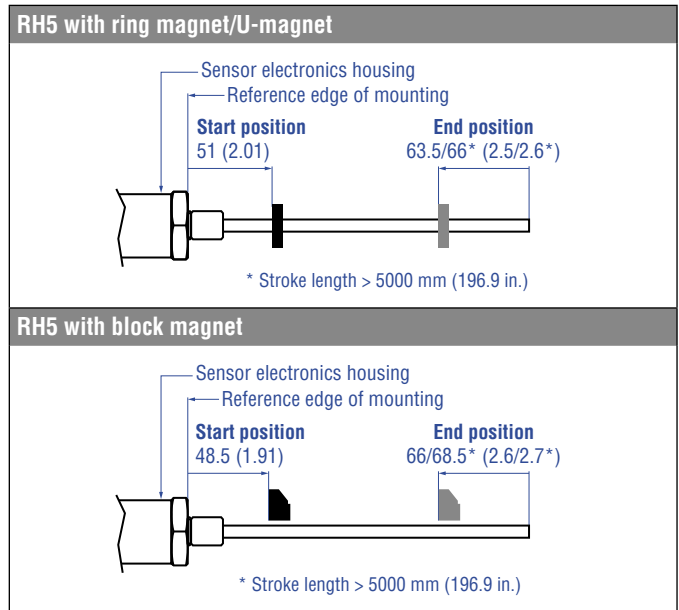


Fig. 73: Start- and end positions of magnets for RH5

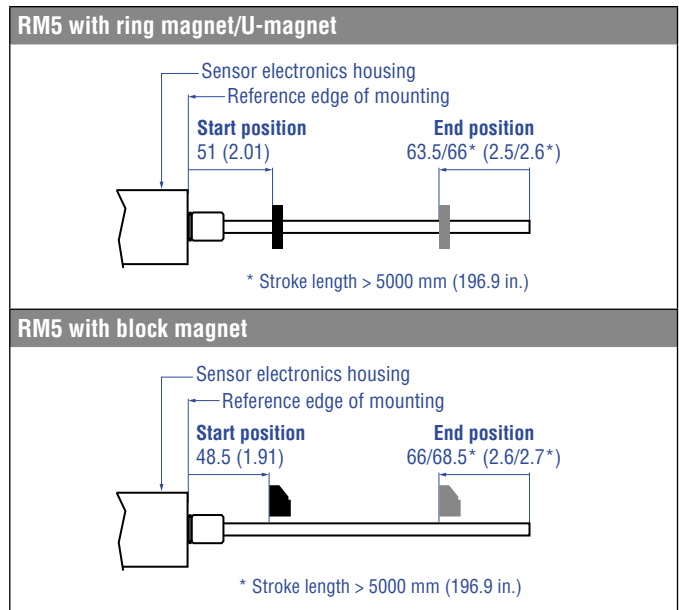


Fig. 74: Start- and end positions of magnets for RM5

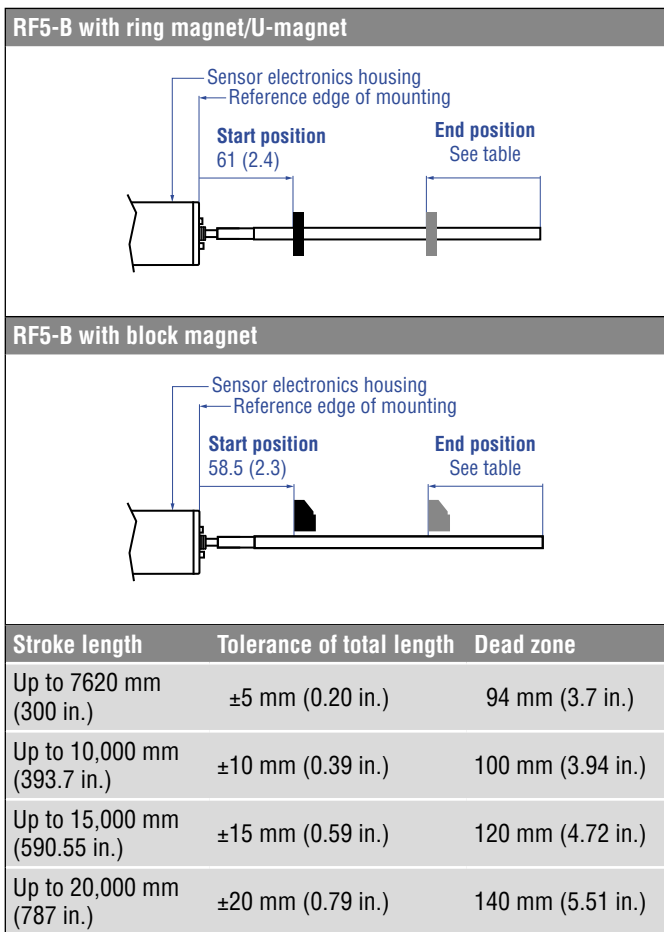


Fig. 75: Start- and end positions of magnets for RF5

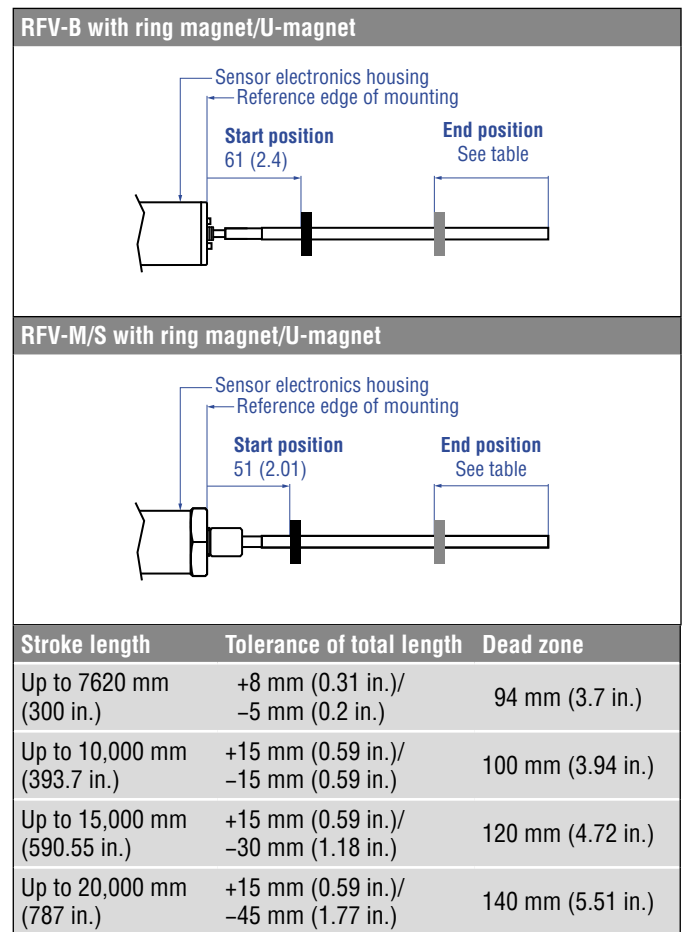


Fig. 76: Start- and end positions of magnets for RFV with ring- and U-magnets

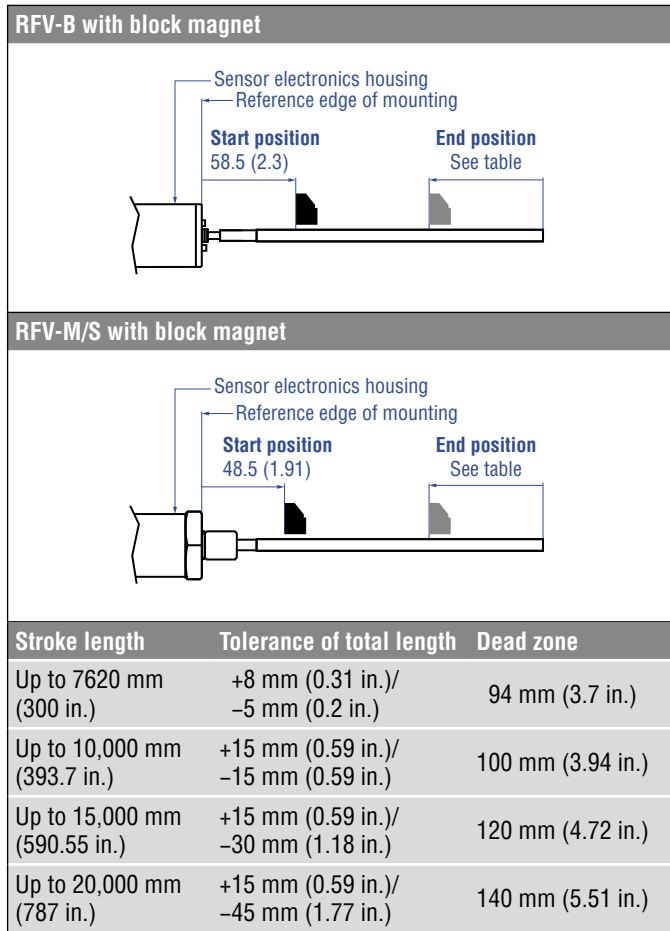


Fig. 77: Start- and end positions of magnets for RFV with block magnet

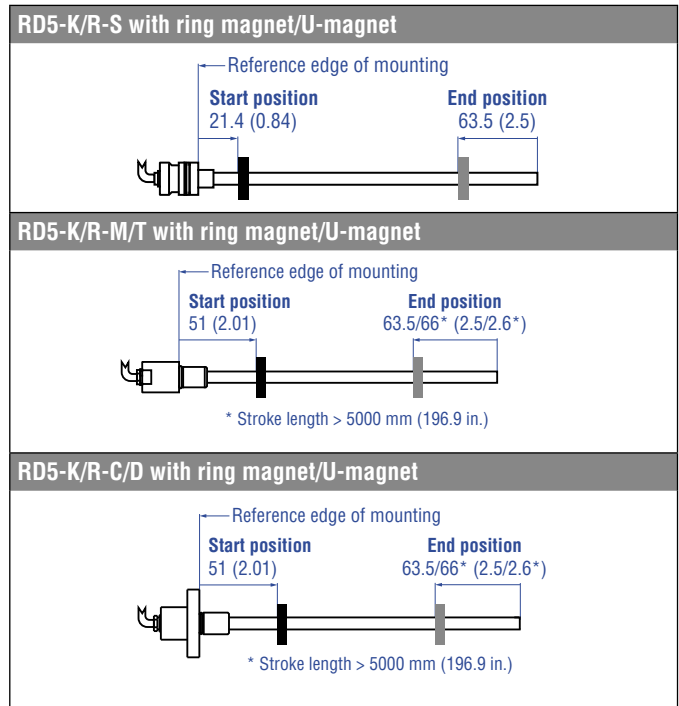


Fig. 78: Start- and end positions of magnets for RD5 with ring- and U-magnets

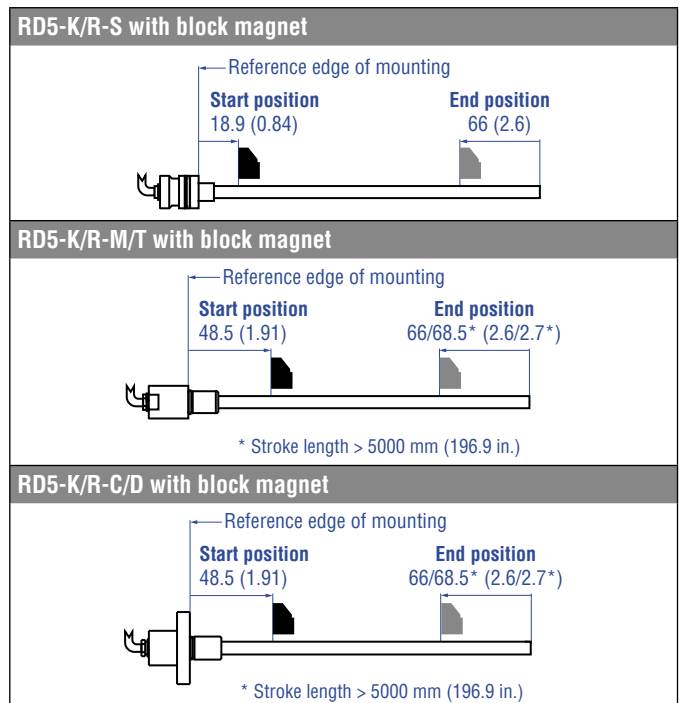


Fig. 79: Start- and end positions of magnets for RD5 with block magnet

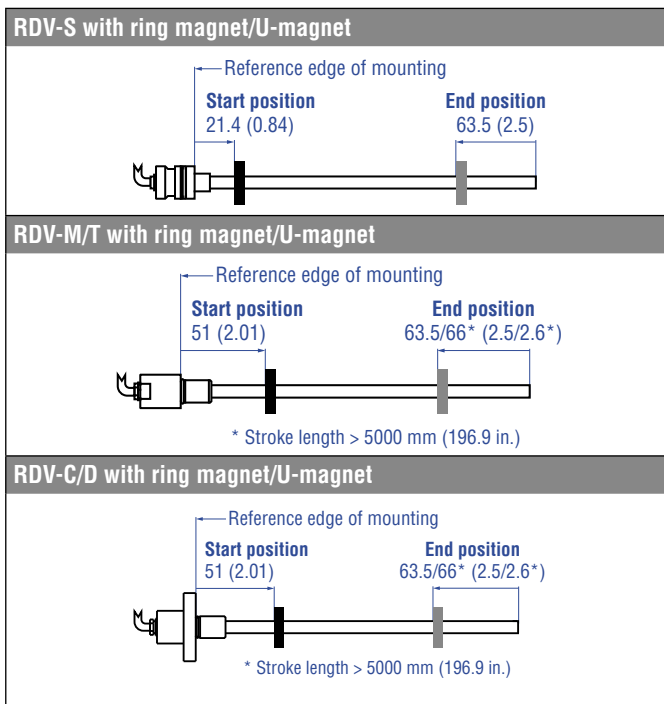


Fig. 80: Start- and end positions of magnets for RDV with ring- and U-magnets

**NOTICE**  
On all sensors, the areas left and right of the active stroke length are provided for null and dead zone. These zones should not be used for measurement, however the active stroke length can be exceeded.

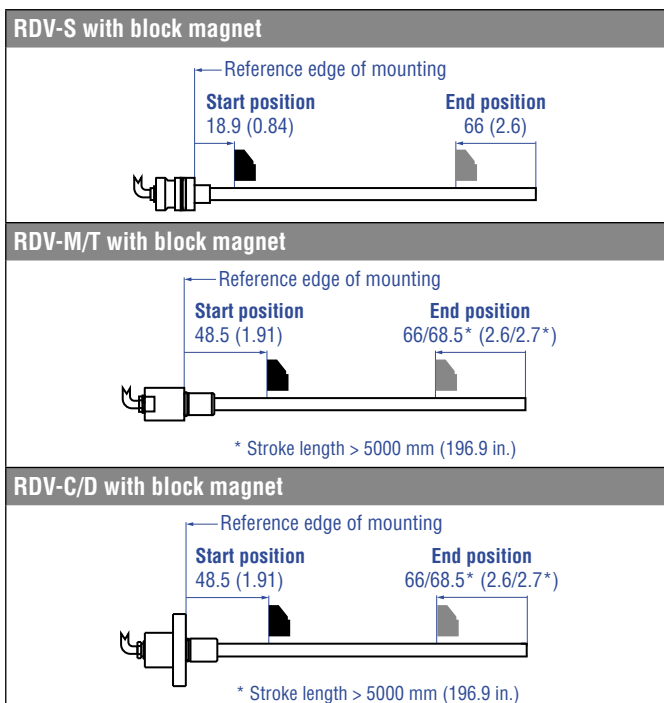


Fig. 81: Start- and end positions of magnets for RDV with block magnet

Controlling design dimensions are in millimeters and measurements in ( ) are in inches

**Differential measurement**

For a differential measurement two positions are measured on the sensor rod or sensor profile. The distance between these positions will be output.

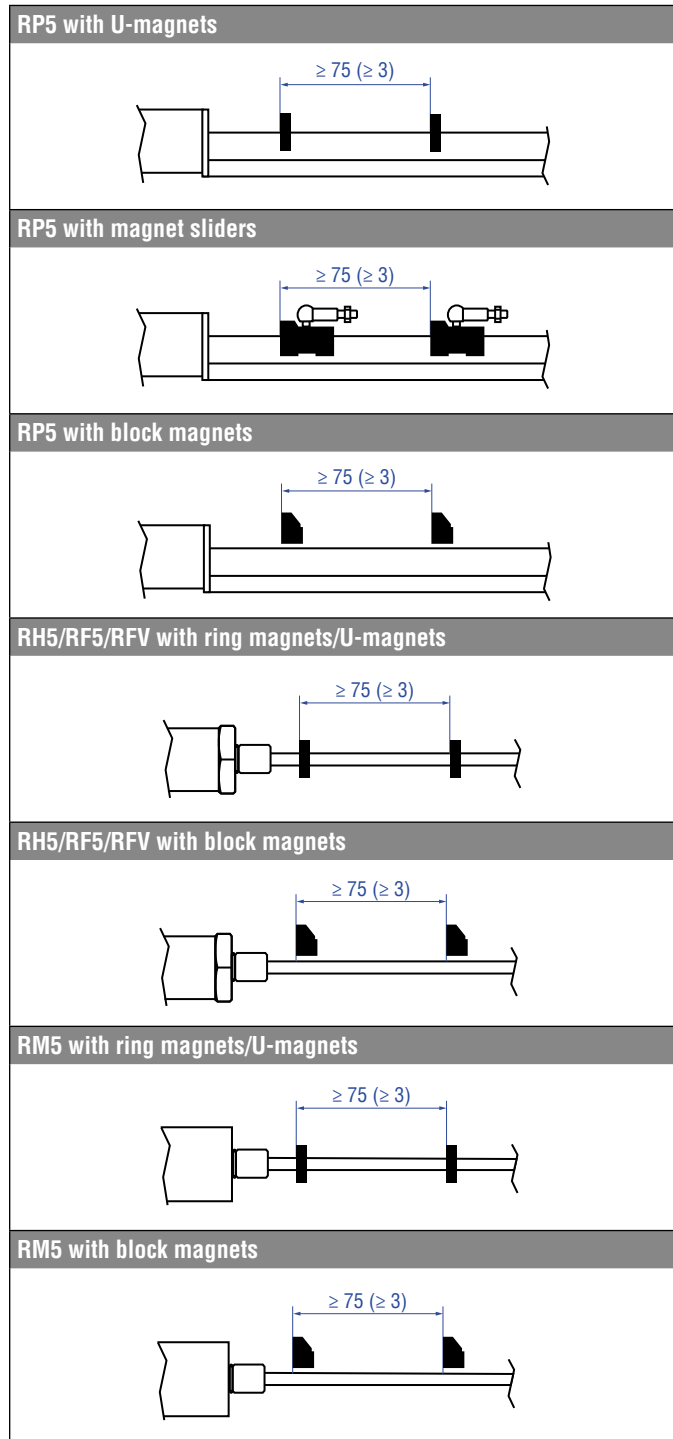


Fig. 82: Minimum distance between magnets for differential measurement (RH5, RP5, RF5, RFV, RM5)

Controlling design dimensions are in millimeters and measurements in ( ) are in inches

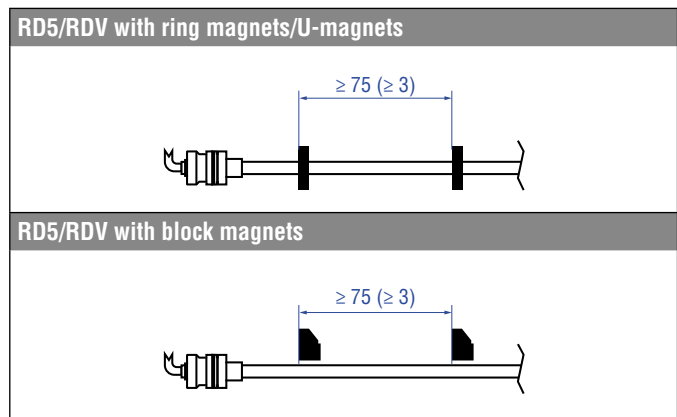


Fig. 83: Minimum distance between magnets for differential measurement (RDV)

**NOTICE**  
Use magnets of the same type for differential measurement. Do not go below a minimal distance of 75 mm (3 in.) between the magnets for differential measurement. Contact Temposonics if you need a magnet distance, which is smaller than 75 mm (3 in.).

#### 4.10 Alignment of the magnet with the option “Internal linearization”

The internal linearization offers improved linearity of the sensor. The option must be specified in the order code of the sensor. The internal linearization is set for the sensor during production.

A sensor with internal linearization is delivered with the magnet with which the sensor was aligned during production. In order to achieve the best possible result, Temposonics recommends to operate the sensor with the supplied magnet.

For the internal linearization, the following magnets can be used:

- Ring magnet OD33 (part no. 253 620), for RH5, RM5 and RDV only
- U-magnet OD33 (part no. 254 226)
- Ring magnet OD25.4 (part no. 253 621), for RH5, RM5 and RDV only
- Magnet slider S (part no. 252 182), for RP5 only
- Magnet slider N (part no. 252 183), for RP5 only
- Magnet slider V (part no. 252 184), for RP5 only
- Magnet slider G (part no. 253 421), for RP5 only

The ring magnet and U-magnet will be marked for the internal linearization. During the installation, the magnets have to be aligned to the sensor electronics housing respectively to the flange of the RDV see Fig. 84, Fig. 85, Fig. 86, Fig. 87 and Fig. 88.

##### For RH5 SSI sensors with ring magnet/U-magnet applies:

- Install the magnet until the marking on the magnet points to the sensor electronics housing.
- The marking on the magnet points to the same direction as the screw in the lid of the sensor electronics housing, which is located right of the status LED.

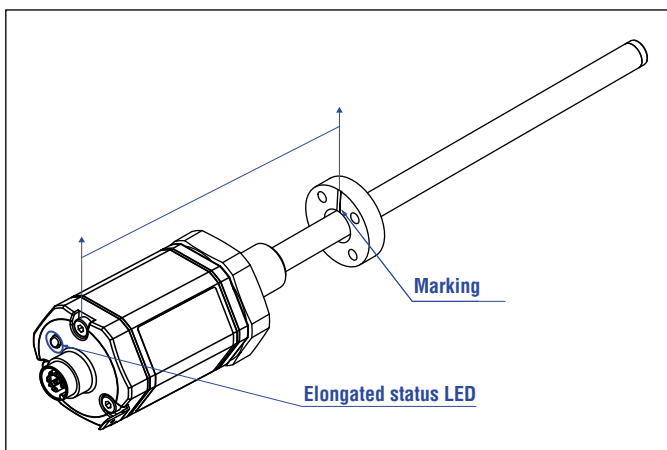


Fig. 84: Alignment of ring magnet for RH5 SSI with internal linearization

##### For RP5 SSI sensors with U-magnet applies:

- Install the magnet until the marking on the magnet points to the sensor electronics housing.
- The marking on the magnet points to the same direction as the screw in the lid of the sensor electronics housing, which is located right of the status LED.

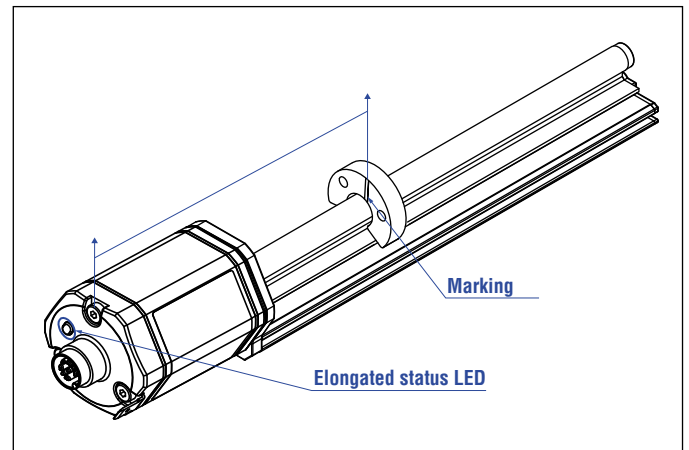


Fig. 85: Magnet alignment of U-magnet for RP5 SSI with internal linearization

##### For RP5 SSI sensors with magnet slider applies:

- ① Install the magnet sliders “S”, “N” and “G” until the additional hole in the magnet points towards the sensor electronics housing.
- ② Install the magnet slider “V” until the joint points to the end of the profile.

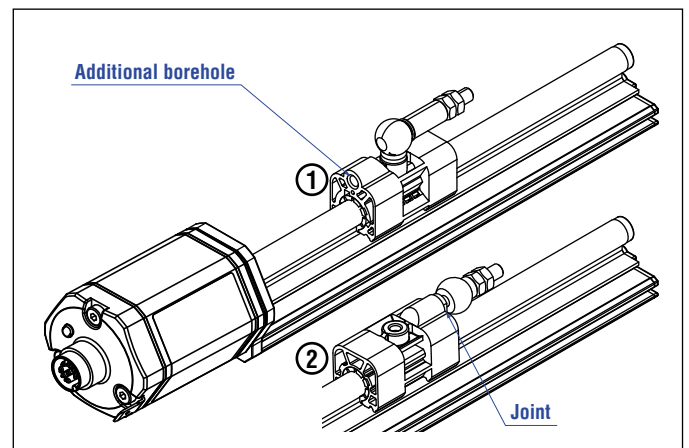


Fig. 86: Magnet alignment of magnet slider for RP5 SSI with internal linearization

**For RDV SSI sensors with ring magnet/U-magnet applies:**

- Install the magnet so that the marking on the magnet faces the sensor flange.
- The line on the magnet points in the same direction as the marking on the sensor flange.

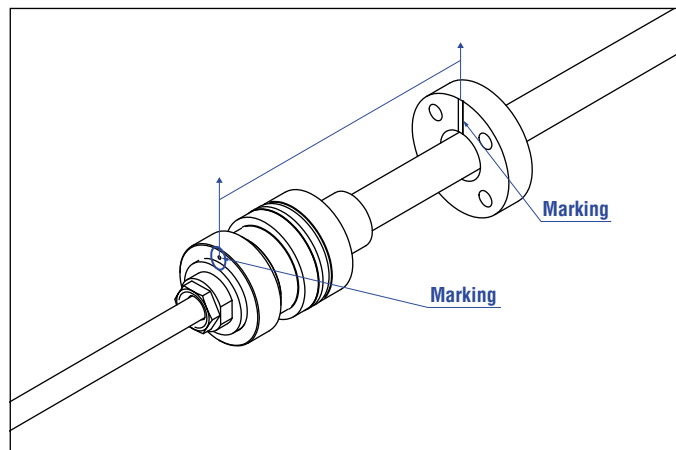


Fig. 87: Magnet alignment of magnet slider for RDV SSI with internal linearization using the example of a »S« flange

**For RM5 SSI sensors with ring magnet/U-magnet applies:**

- Install the magnet so that the marking on the magnet faces the super shield housing.
- The line on the magnet points in the same direction as the marking on the super shield housing.

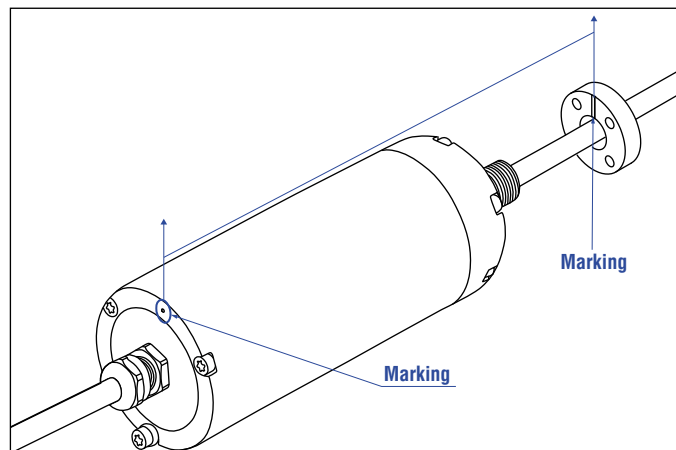


Fig. 88: Magnet alignment of magnet slider for RM5 SSI with internal linearization

**The internal linearization of the sensor is carried out under the following conditions:**

- Supply voltage +24 VDC  $\pm$ 0.5
- Operating time > 30 min
- No shock and no vibration
- Eccentricity of the position magnet to central axis of the sensor < 0.1 mm

**NOTICE**

The generated linearization might deviate from the linearity tolerances regarding different environmental conditions. In addition, the use of a different position magnet or more position magnets may cause differences.

## 4.11 Replacement of base unit

### 4.11.1 Replacement of base unit on the RH5/RFV/RF5 model

The base unit of the sensor model RH5 (RH5-B) is replaceable as shown in Fig. 89 and Fig. 90 for the sensor designs »M«, »S« and »T«. The sensor can be replaced without interrupting the hydraulic circuit. This also applies to the RFV-B/RF5-B sensor, which is installed in the optional HD, HL and HP sensor rod.

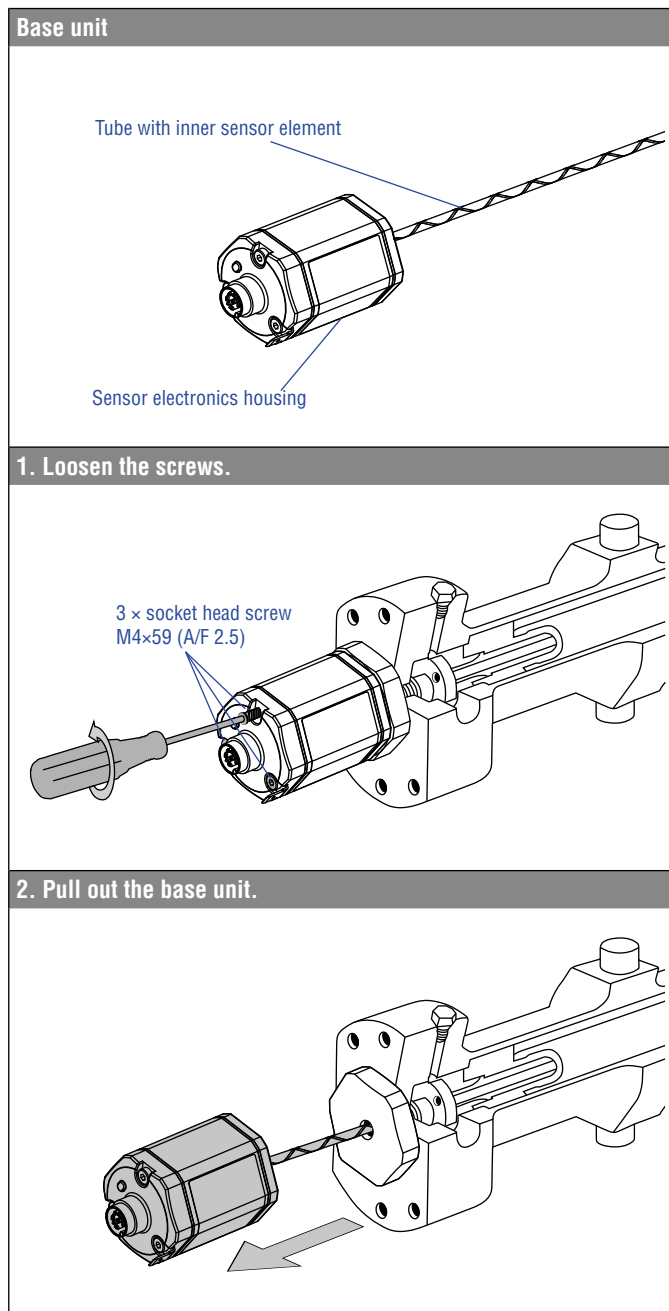


Fig. 89: Replacement of the base unit (e.g. RH5 sensor), part 1

3. Insert the new base unit.  
Install the ground lug on a screw.  
Tighten the screws.

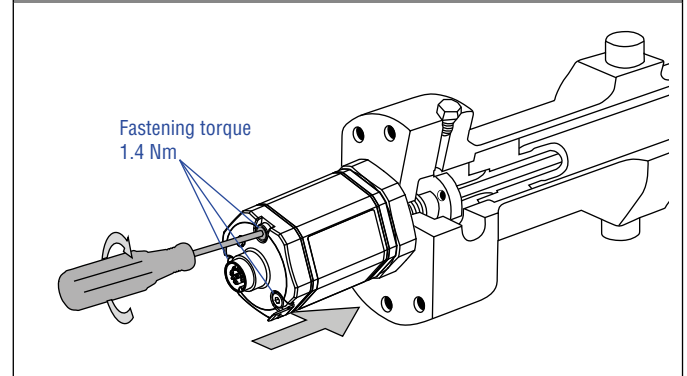


Fig. 90: Replacement of the base unit (e.g. RH5 sensor), part 2

#### NOTICE

- When replacing the base unit, make sure that no humidity enters the sensor tube. This may damage the sensor.
- Secure the base unit screws, e.g. using Loctite 243, before reinstalling.
- If the R-Series V replaces a predecessor model of the R-Series, the plastic tube in the sensor rod must be removed.
- Make sure the O-ring (part no. 562 003) is correctly fitted between the flange and the base unit.
- The O-ring is secured with an adhesive strip. Remove the adhesive strip before tightening before reinstalling the base unit (see illustration "Remove adhesive strips").

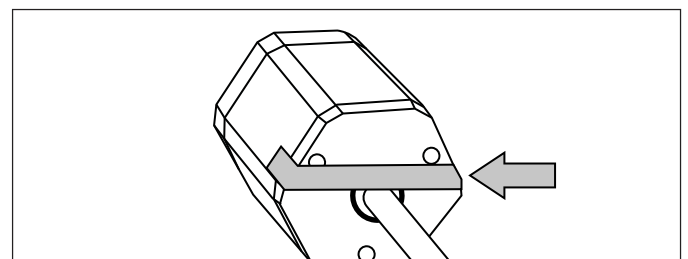


Fig. 91: Remove adhesive strips

Remove the transport cap at the end of the flexible sensor element before installing an RH5-B-F (Fig. 92). Slowly push the flexible sensor element into the sensor rod so that the air inside the rod can escape. Observe the minimum bending radius of 100 mm and the instructions for handling and installing an RF5 in chapter 4.5.

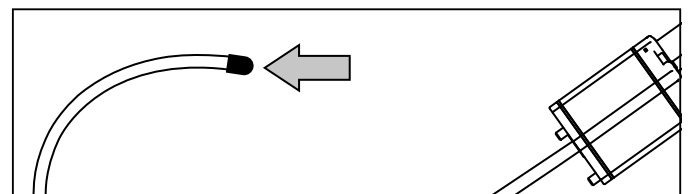


Fig. 92: Remove the transport cap from the RH5-B-F before installation

#### 4.11.2 Replacement of base unit on the RM5 model

A base unit RM5-B is installed in the super shield housing of the RM5 (Fig. 93). The base unit can be replaced without interrupting the hydraulic circuit.

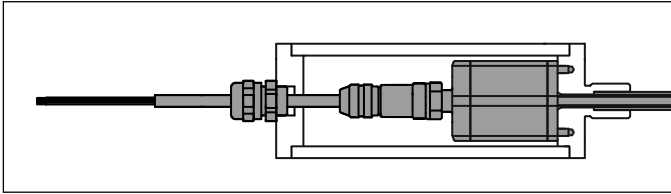


Fig. 93: Base unit in the super shield housing of the RM5

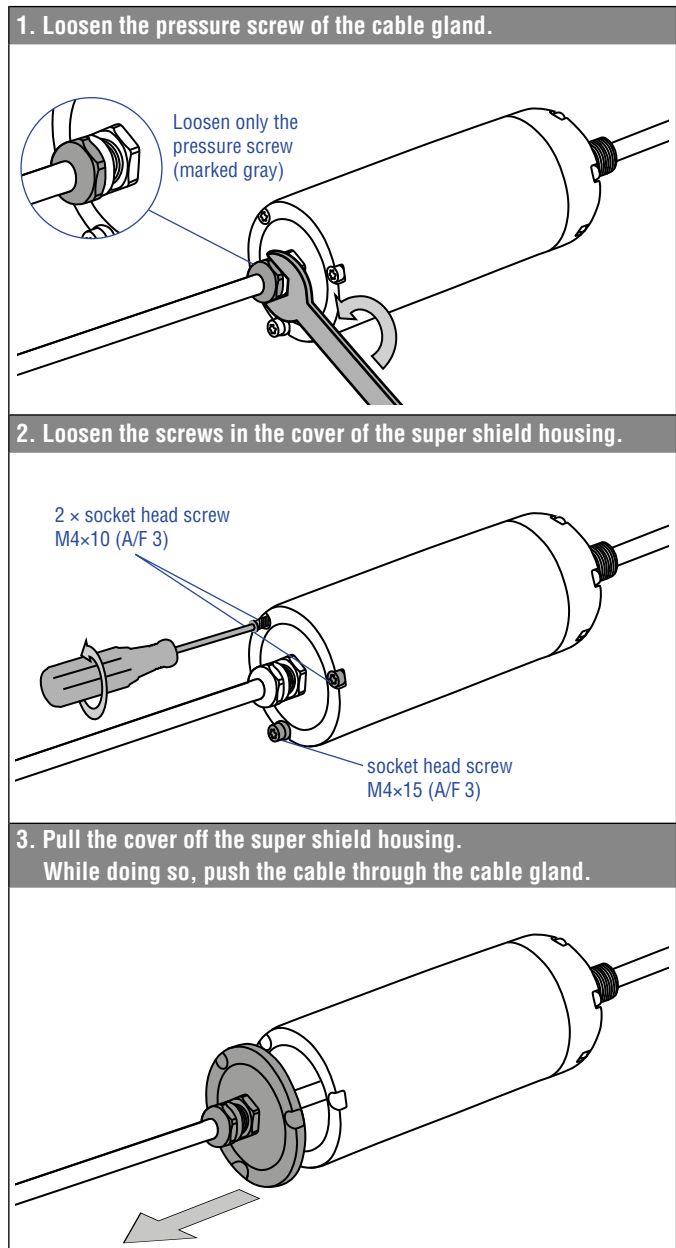


Fig. 94: Replacement of the base unit on model RM5, part 1

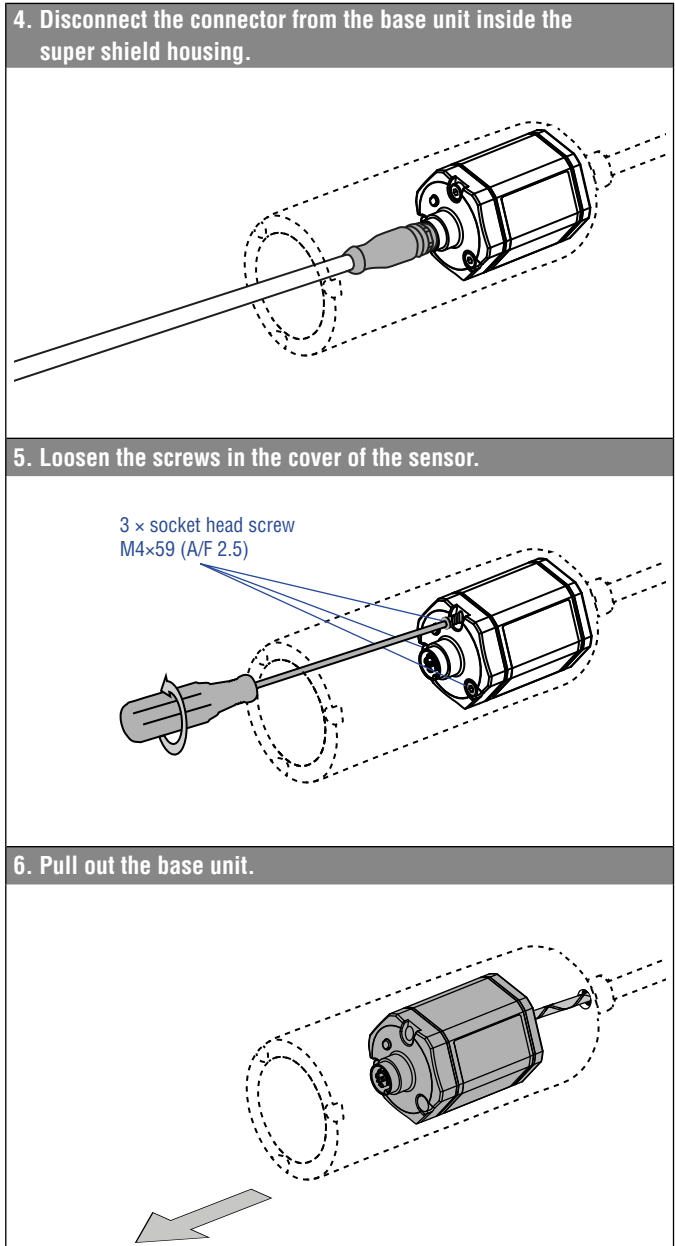
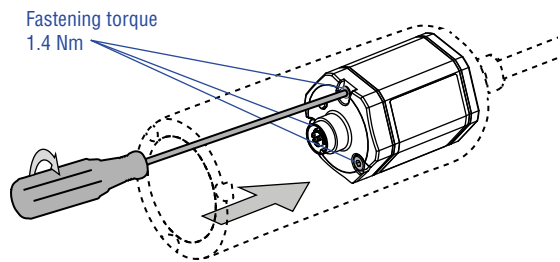


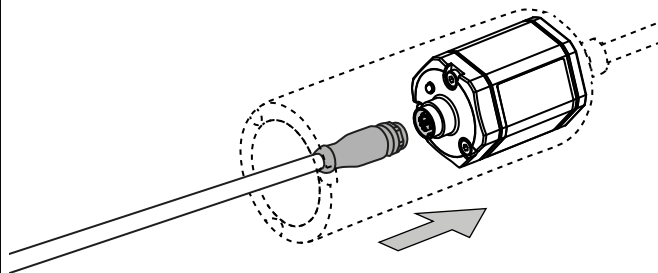
Fig. 95: Replacement of the base unit on model RM5, part 2

Continued on next page

7. Insert the new base unit.  
Screw the base unit tight.  
Secure the screws of the base unit before re-installing,  
e.g. with Loctite 243.



8. Attach the connector to the base unit in the super shield housing.



9. Place the lid on the super shield housing.  
Screw the lid tight.  
Secure the screws of the lid before reassembly,  
e.g. with Loctite 243.

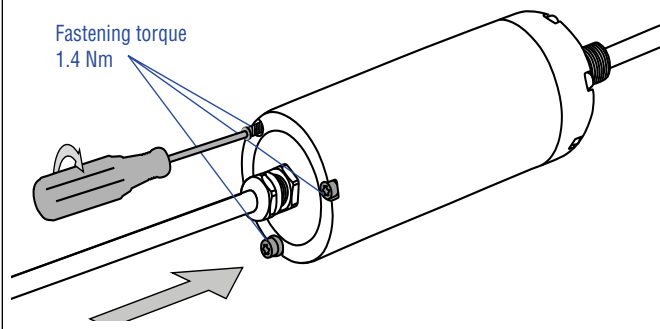


Fig. 96: Replacement of the base unit on model RM5, part 3

10. Carefully pull the excess cable out of the super shield housing. Tighten the pressure screw (marked gray) of the cable gland until the sealing insert and pressure screw are at the same height.  
Secure the cable gland before reassembly, e.g. with Loctite 243.

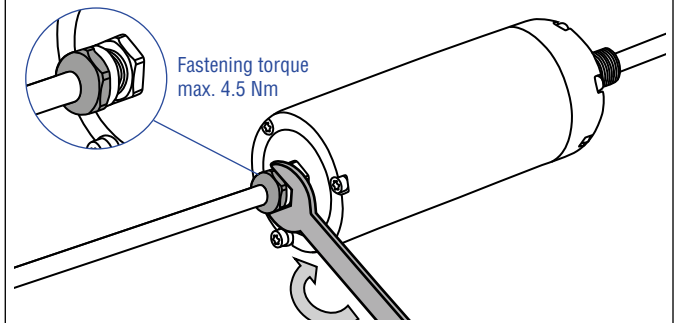


Fig. 97: Replacement of the base unit on model RM5, part 4

**NOTICE**

When replacing the base unit, make sure that no humidity enters the sensor tube. This may damage the sensor.

#### 4.12 Electrical connection

Placement of installation and cabling have decisive influence on the sensor's electromagnetic compatibility (EMC). Hence correct installation of this active electronic system and the EMC of the entire system must be ensured by using suitable metal connectors, shielded cables and grounding. Overvoltages or faulty connections can damage its electronics despite protection against wrong polarity.

#### NOTICE

1. Do not mount the sensors in the area of strong magnetic or electric noise fields.
2. Never connect/disconnect the sensor when voltage is applied.

#### Instructions for connection

- Use low-resistant twisted pair and shielded cables. Connect the shield to ground externally via the control system equipment.
- Keep control and signal cables separate from power cables and sufficiently far away from motor cables, frequency inverters, valve lines, relays, etc..
- Use only connectors with metal housing and connect the shielding to the connector housing.
- Keep the connection surface at both shielding ends as large as possible. Connect the cable clamps to function as a ground.
- Keep all non-shielded leads as short as possible.
- Keep the earth connection as short as possible with a large cross section. Avoid ground loops.
- With potential differences between machine and electronics earth connections, no compensating currents are allowed to flow across the cable shielding.

#### Recommendation:

Install potential compensating leads with large cross section, or use cables with separate double shielding, and connect only one end of the shield.

- Use only stabilized power supplies in compliance with the specified electrical ratings.

#### Grounding of profile and rod sensors

Connect the sensor electronics housing to machine ground. Ground R-Series V via ground lug as shown in Fig. 98. Note the installation example for grounding an RM5 sensor in Fig. 99. In addition you can ground the sensor types RH5, RM5 and RFV via thread.

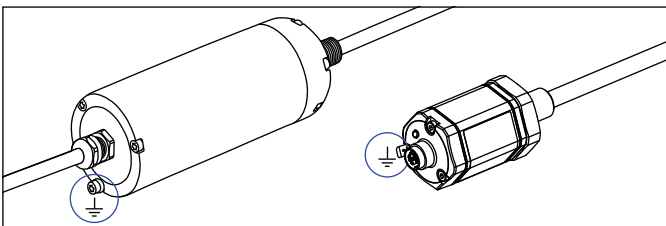


Fig. 98: Grounding via ground lug on the example of an RM5 sensor (left)/ RH5 sensor (right)

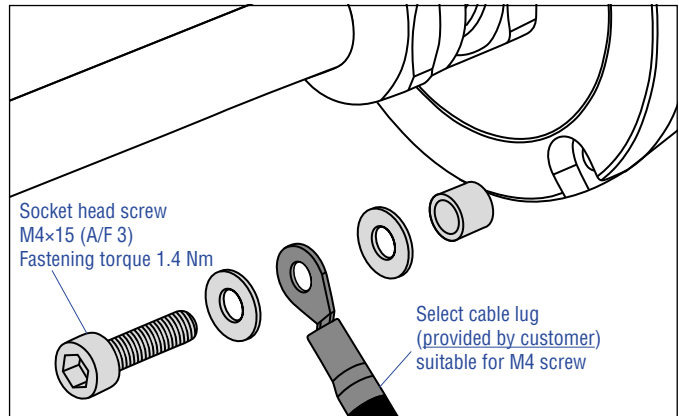


Fig. 99: Installation example for grounding of RM5 sensor

#### NOTICE

Secure the socket head screw before reassembly, e.g. with Loctite 243.

#### Connector wiring

Connect the sensor directly to the control system, indicator or other evaluating systems as follows:

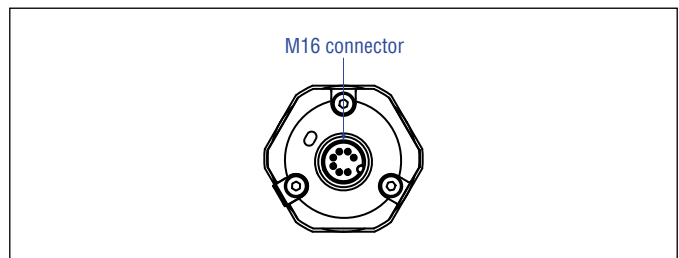


Fig. 100: Location of connection (example M16 connector outlet)

D70		
Signal + power supply		
M16 male connector	Pin	Function
<p>View on sensor</p>	1	Data (-)
	2	Data (+)
	3	Clock (+)
	4	Clock (-)
	5	+12...30 VDC ( $\pm 20\%$ )
	6	DC Ground (0 V)
	7	Not connected

Fig. 101: Connector wiring D70


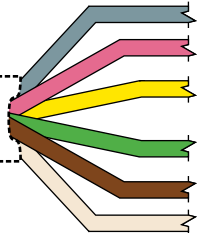
D84		
Signal + power supply		
M12 male connector (A-coded)	Pin	Function
 <p>View on sensor</p>	1	Clock (+)
	2	Clock (-)
	3	Data (+)
	4	Data (-)
	5	Not connected
	6	Not connected
	7	+12...30 VDC (±20 %)
	8	DC Ground (0 V)

Fig. 102: Connector wiring D84

HXX or LXX/PXX or BXX/RXX or EXX/TXX or GXX/UXX		
Signal + power supply		
Cable	Color	Function
	GY	Data (-)
	PK	Data (+)
	YE	Clock (+)
	GN	Clock (-)
	BN	+12...30 VDC (±20 %)
	WH	DC Ground (0 V)

For cable type TXX, the extra red & blue wires are not used.

Fig. 103: Connector wiring cable outlet

Straight cable outlet		Cable type	Angled cable outlet
H	X X	Part no. 530 052 PUR →	L X X Part no. 530 052
P	X X	Part no. 530 175 PUR →	B X X Part no. 530 175
R	X X	Part no. 530 032 PVC →	E X X Part no. 530 032
T	X X	Part no. 530 112 FEP →	G X X Part no. 530 157

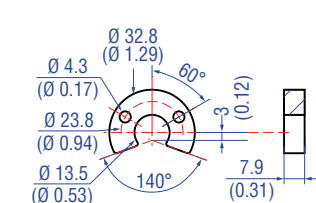
Fig. 104: Cable types assignment

4.13 Frequently ordered accessories for Temposonics® RP5 – Additional options available in our [Accessories Catalog](#) 551 444

Position magnets

<p><b>Magnet slider S, joint at top</b> Part no. 252 182</p> <p>Material: GRP, magnet hard ferrite Weight: Approx. 35 g Operating temperature: -40...+85 °C (-40...+185 °F)</p>	<p><b>Magnet slider V, joint at front</b> Part no. 252 184</p> <p>Material: GRP, magnet hard ferrite Weight: Approx. 35 g Operating temperature: -40...+85 °C (-40...+185 °F)</p>	<p><b>Magnet slider N longer ball-joint arm</b> Part no. 252 183</p> <p>Material: GRP, magnet hard ferrite Weight: Approx. 35 g Operating temperature: -40...+85 °C (-40...+185 °F)</p>	<p><b>Magnet slider G, backlash free</b> Part no. 253 421</p> <p>Material: GRP, magnet hard ferrite Weight: Approx. 25 g Operating temperature: -40...+85 °C (-40...+185 °F)</p>

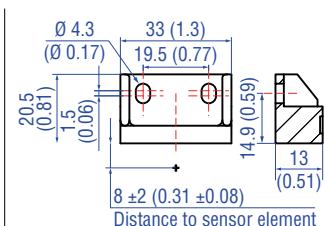
Position magnets



**U-magnet OD33**  
Part no. 251 416-2

Material: PA ferrite GF20  
Weight: Approx. 11 g  
Surface pressure: Max. 40 N/mm<sup>2</sup>  
Fastening torque for M4 screws: 1 Nm  
Operating temperature:  
-40...+120 °C (-40...+248 °F)

Marked version for sensors with internal linearization: Part no. 254 226

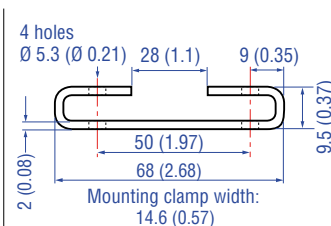


**Block magnet L**  
Part no. 403 448

Material: Plastic carrier with neodymium magnet  
Weight: Approx. 20 g  
Fastening torque for M4 screws: 1 Nm  
Operating temperature:  
-40...+75 °C (-40...+167 °F)

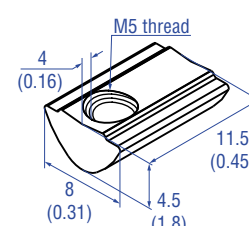
This magnet may influence the sensor performance specifications for some applications.

Mounting accessories



**Mounting clamp**  
Part no. 400 802

Material: Stainless steel (AISI 304)



**T-nut**  
Part no. 401 602

Fastening torque for M5 screw: 4.5 Nm

4.14 Frequently ordered accessories for Temposonics® RH5 – Additional options available in our [Accessories Catalog](#) 551444

Position magnets			
<p><b>U-magnet OD33</b> Part no. 251 416-2</p> <p>Material: PA ferrite GF20 Weight: Approx. 11 g Surface pressure: Max. 40 N/mm<sup>2</sup> Fastening torque for M4 screws: 1 Nm Operating temperature: -40...+120 °C (-40...+248 °F) Marked version for sensors with internal linearization: Part no. 254 226</p>	<p><b>Ring magnet OD33</b> Part no. 201 542-2</p> <p>Material: PA ferrite GF20 Weight: Approx. 14 g Surface pressure: Max. 40 N/mm<sup>2</sup> Fastening torque for M4 screws: 1 Nm Operating temperature: -40...+120 °C (-40...+248 °F) Marked version for sensors with internal linearization: Part no. 253 620</p>	<p><b>Ring magnet OD25.4</b> Part no. 400 533</p> <p>Material: PA ferrite Weight: Approx. 10 g Surface pressure: Max. 40 N/mm<sup>2</sup> Operating temperature: -40...+120 °C (-40...+248 °F) Marked version for sensors with internal linearization: Part no. 253 621</p>	<p><b>Ring magnet</b> Part no. 402 316</p> <p>Material: PA ferrite coated Weight: Approx. 13 g Surface pressure: Max. 20 N/mm<sup>2</sup> Operating temperature: -40...+100 °C (-40...+212 °F)</p>

Position magnet	Magnet spacer	O-rings	
<p><b>Block magnet L</b> Part no. 403 448</p> <p>Material: Plastic carrier with neodymium magnet Weight: Approx. 20 g Fastening torque for M4 screws: 1 Nm Operating temperature: -40...+75 °C (-40...+167 °F)</p> <p>This magnet may influence the sensor performance specifications for some applications.</p>	<p><b>Magnet spacer</b> Part no. 400 633</p> <p>Material: Aluminum Weight: Approx. 5 g Surface pressure: Max. 20 N/mm<sup>2</sup> Fastening torque for M4 screws: 1 Nm</p>	<p><b>O-ring for threaded flange</b> M18x1.5-6g Part no. 401 133</p> <p>Material: Fluoroelastomer Durometer: 75 ± 5 Shore A Operating temperature: -40...+204 °C (-40...+400 °F)</p>	<p><b>O-ring for threaded flange</b> ¾"-16 UNF-3A Part no. 560 315</p> <p>Material: Fluoroelastomer Durometer: 75 ± 5 Shore A Operating temperature: -40...+204 °C (-40...+400 °F)</p>

O-ring	Mounting accessories		
<p><b>O-ring for threaded flange</b> M22x1.5-6g Part no. 561 337</p> <p>Material: FPM Durometer: 75 Shore A Operating temperature: -20...+200 °C (-6...+392 °F)</p>	<p><b>Hex jam nut M18x1.5-6g</b> Part no. 500 018</p> <p>Material: Steel, zinc plated</p>	<p><b>Hex jam nut ¾"-16 UNF-3A</b> Part no. 500 015</p> <p>Material: Steel, zinc plated</p>	<p><b>Fixing clip</b> Part no. 561 481</p> <p>Application: Used to secure sensor rods (Ø 10 mm (Ø 0.39 in.)) when using an U-magnet or block magnet Material: Brass, non-magnetic</p>

4.15 Frequently ordered accessories for Temposonics® RM5 – Additional options available in our [Accessories Catalog](#) 551444

Position magnets

<p><b>U-magnet OD33</b> <b>Part no. 251 416-2</b></p> <p>Material: PA ferrite GF20 Weight: Approx. 11 g Surface pressure: Max. 40 N/mm<sup>2</sup> Fastening torque for M4 screws: 1 Nm Operating temperature: -40...+120 °C (-40...+248 °F)</p> <p>Marked version for sensors with internal linearization: Part no. 254 226</p>	<p><b>Ring magnet OD33</b> <b>Part no. 201 542-2</b></p> <p>Material: PA ferrite GF20 Weight: Approx. 14 g Surface pressure: Max. 40 N/mm<sup>2</sup> Fastening torque for M4 screws: 1 Nm Operating temperature: -40...+120 °C (-40...+248 °F)</p> <p>Marked version for sensors with internal linearization: Part no. 253 620</p>	<p><b>Ring magnet OD25.4</b> <b>Part no. 400 533</b></p> <p>Material: PA ferrite Weight: Approx. 10 g Surface pressure: Max. 40 N/mm<sup>2</sup> Operating temperature: -40...+120 °C (-40...+248 °F)</p> <p>Marked version for sensors with internal linearization: Part no. 253 621</p>	<p><b>Ring magnet</b> <b>Part no. 402 316</b></p> <p>Material: PA ferrite coated Weight: Approx. 13 g Surface pressure: Max. 20 N/mm<sup>2</sup> Operating temperature: -40...+100 °C (-40...+212 °F)</p>

Position magnet

Magnet spacer

O-rings

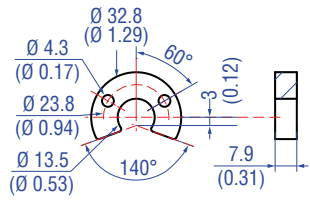
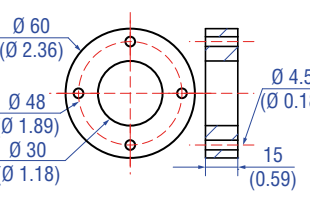
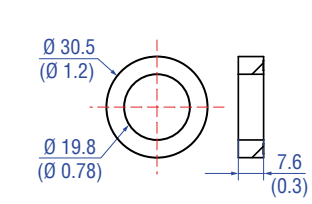
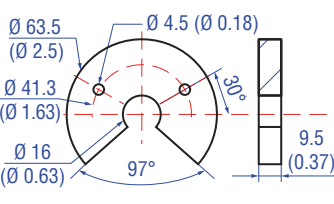
<p><b>Block magnet L</b> <b>Part no. 403 448</b></p> <p>Material: Plastic carrier with neodymium magnet Weight: Approx. 20 g Fastening torque for M4 screws: 1 Nm Operating temperature: -40...+75 °C (-40...+167 °F)</p> <p>This magnet may influence the sensor performance specifications for some applications.</p>	<p><b>Magnet spacer</b> <b>Part no. 400 633</b></p> <p>Material: Aluminum Weight: Approx. 5 g Surface pressure: Max. 20 N/mm<sup>2</sup> Fastening torque for M4 screws: 1 Nm</p>	<p><b>O-ring for threaded flange</b> <b>M18x1.5-6g</b> <b>Part no. 401 133</b></p> <p>Material: Fluoroelastomer Durometer: 75 ±5 Shore A Operating temperature: -40...+204 °C (-40...+400 °F)</p>	<p><b>O-ring for threaded flange</b> <b>3/4"-16 UNF-3A</b> <b>Part no. 560 315</b></p> <p>Material: Fluoroelastomer Durometer: 75 ±5 Shore A Operating temperature: -40...+204 °C (-40...+400 °F)</p>

Mounting accessories

<p><b>Hex jam nut M18x1.5-6g</b> <b>Part no. 500 018</b></p> <p>Material: Steel, zinc plated</p>	<p><b>Hex jam nut 3/4"-16 UNF-3A</b> <b>Part no. 500 015</b></p> <p>Material: Steel, zinc plated</p>	<p><b>Fixing clip</b> <b>Part no. 561 481</b></p> <p>Application: Used to secure sensor rods (Ø 10 mm (Ø 0.39 in.)) when using an U-magnet or block magnet Material: Brass, non-magnetic</p>

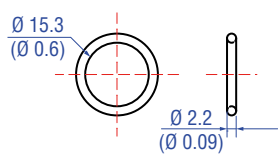
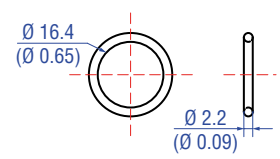
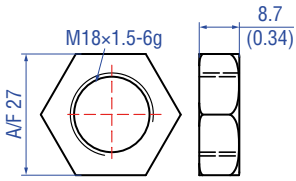
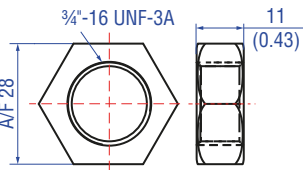
**4.16 Frequently ordered accessories for Temposonics® RF5** – Additional options available in our [Accessories Catalog](#) 551444

**Position magnets**

			
<p><b>U-magnet OD33</b> <b>Part no. 251 416-2</b></p> <p>Material: PA ferrite GF20 Weight: Approx. 11 g Surface pressure: Max. 40 N/mm<sup>2</sup> Fastening torque for M4 screws: 1 Nm Operating temperature: -40...+120 °C (-40...+248 °F)</p>	<p><b>Ring magnet OD60</b> <b>Part no. MT0162</b></p> <p>Material: AlCuMgPb, magnets compound-filled Weight: Approx. 90 g Surface pressure: Max. 20 N/mm<sup>2</sup> Fastening torque for M4 screws: 1 Nm Operating temperature: -40...+75 °C (-40...+167 °F)</p>	<p><b>Ring magnet</b> <b>Part no. 402 316</b></p> <p>Material: PA ferrite coated Weight: Approx. 13 g Surface pressure: Max. 20 N/mm<sup>2</sup> Operating temperature: -40...+100 °C (-40...+212 °F)</p>	<p><b>U-magnet OD63.5</b> <b>Part no. 201 553</b></p> <p>Material: PA 66-GF30, magnets compound-filled Weight: Approx. 26 g Surface pressure: 20 N/mm<sup>2</sup> Fastening torque for M4 screws: 1 Nm Operating temperature: -40...+75 °C (-40...+167 °F)</p>

**O-rings**

**Mounting accessories**

			
<p><b>O-ring for threaded flange</b> <b>M18x1.5-6g</b> <b>Part no. 401 133</b></p> <p>Material: Fluoroelastomer Durometer: 75 ±5 Shore A Operating temperature: -40...+204 °C (-40...+400 °F)</p>	<p><b>O-ring for threaded flange</b> <b>3/4"-16 UNF-3A</b> <b>Part no. 560 315</b></p> <p>Material: Fluoroelastomer Durometer: 75 ±5 Shore A Operating temperature: -40...+204 °C (-40...+400 °F)</p>	<p><b>Hex jam nut M18x1.5-6g</b> <b>Part no. 500 018</b></p> <p>Material: Steel, zinc plated</p>	<p><b>Hex jam nut 3/4"-16 UNF-3A</b> <b>Part no. 500 015</b></p> <p>Material: Steel, zinc plated</p>

**Mounting accessories**







**Threaded flange M18x1.5-6g**  
**Part no. 404 874**

Material: Stainless steel 1.4305 (AISI 303)  
Order O-rings separately:  
O-ring 15x2: Part no. 560 853  
O-ring 15.3x2.2: Part no. 401 133

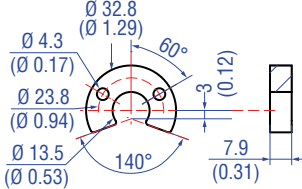
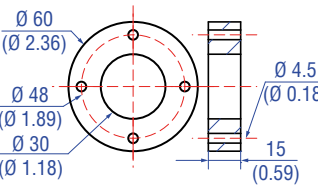
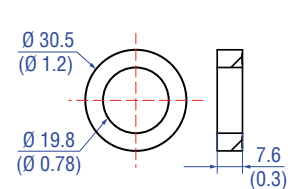
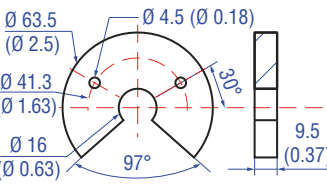
**Threaded flange 3/4"-16 UNF-3A**  
**Part no. 404 875**

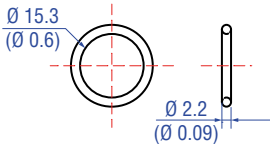
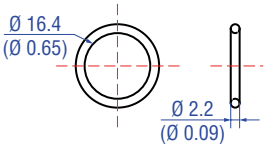
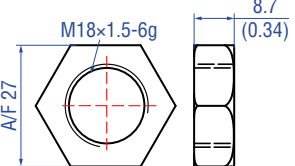
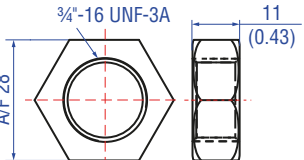
Material: Stainless steel 1.4305 (AISI 303)  
Order O-rings separately:  
O-ring 15x2: Part no. 560 853  
O-ring 16.4x2.2: Part no. 560 315




Mounting accessories

			
<p><b>Sensor rod with threaded flange with flat-face (M18x1.5-6g) and O-ring</b>  <b>HD [length mm: XXXX] M</b>  <b>HD [length in.: XXX.X] U</b></p>	<p><b>Sensor rod with threaded flange with flat-face (3/4"-16 UNF-3A) and O-ring</b>  <b>HL [length mm: XXXX] M</b>  <b>HL [length in.: XXX.X] U</b></p>	<p><b>Sensor rod with threaded flange with raised-face (3/4"-16 UNF-3A) and O-ring</b>  <b>HP [length mm: XXXX] M</b>  <b>HP [length in.: XXX.X] U</b></p>	<p><b>Profile with flange</b>  <b>HFP [length mm: XXXXX] M</b>  <b>HFP [length in.: XXXX.X] U</b></p>
<p>Pressure rod Ø: 12.7 mm (0.5 in.)            Length: 100...7500 mm (4...295 in.)            Operating pressure: 350 bar (5076 psi)            Material flange:            Stainless steel 1.4305 (AISI 303)            Material rod:            Stainless steel 1.4301 (AISI 304)</p>	<p>Pressure rod Ø: 12.7 mm (0.5 in.)            Length: 100...7500 mm (4...295 in.)            Operating pressure: 350 bar (5076 psi)            Material flange:            Stainless steel 1.4305 (AISI 303)            Material rod:            Stainless steel 1.4301 (AISI 304)</p>	<p>Pressure rod Ø: 12.7 mm (0.5 in.)            Length: 100...7500 mm (4...295 in.)            Operating pressure: 350 bar (5076 psi)            Material flange:            Stainless steel 1.4305 (AISI 303)            Material rod:            Stainless steel 1.4301 (AISI 304)</p>	<p>Length: Max. 20,000 mm (max. 787 in.)            Ingress protection: IP30            Material: Aluminum</p>

**4.17 Frequently ordered accessories for Temposonics® RFV** – Additional options available in our [Accessories Catalog](#) 551 444

Position magnets			
			
<p><b>U-magnet OD33</b> <b>Part no. 251 416-2</b></p>	<p><b>Ring magnet OD60</b> <b>Part no. MT0162</b></p>	<p><b>Ring magnet</b> <b>Part no. 402 316</b></p>	<p><b>U-magnet OD63.5</b> <b>Part no. 201 553</b></p>
<p>Material: PA ferrite GF20 Weight: Approx. 11 g Surface pressure: Max. 40 N/mm<sup>2</sup> Fastening torque for M4 screws: 1 Nm Operating temperature: -40...+120 °C (-40...+248 °F)</p>	<p>Material: AlCuMgPb, magnets compound-filled Weight: Approx. 90 g Surface pressure: Max. 20 N/mm<sup>2</sup> Fastening torque for M4 screws: 1 Nm Operating temperature: -40...+75 °C (-40...+167 °F)</p>	<p>Material: PA ferrite coated Weight: Approx. 13 g Surface pressure: Max. 20 N/mm<sup>2</sup> Operating temperature: -40...+100 °C (-40...+212 °F)</p>	<p>Material: PA 66-GF30, magnets compound-filled Weight: Approx. 26 g Surface pressure: 20 N/mm<sup>2</sup> Fastening torque for M4 screws: 1 Nm Operating temperature: -40...+75 °C (-40...+167 °F)</p>

O-rings		Mounting accessories	
			
<p><b>O-ring for threaded flange</b> <b>M18x1.5-6g</b> <b>Part no. 401 133</b></p>	<p><b>O-ring for threaded flange</b> <b>3/4"-16 UNF-3A</b> <b>Part no. 560 315</b></p>	<p><b>Hex jam nut M18x1.5-6g</b> <b>Part no. 500 018</b></p>	<p><b>Hex jam nut 3/4"-16 UNF-3A</b> <b>Part no. 500 015</b></p>
<p>Material: Fluoroelastomer Durometer: 75 ±5 Shore A Operating temperature: -40...+204 °C (-40...+400 °F)</p>	<p>Material: Fluoroelastomer Durometer: 75 ±5 Shore A Operating temperature: -40...+204 °C (-40...+400 °F)</p>	<p>Material: Steel, zinc plated</p>	<p>Material: Steel, zinc plated</p>

Mounting accessories		
		
<p><b>Threaded flange M18x1.5-6g</b> <b>Part no. 404 874</b></p>	<p><b>Threaded flange 3/4"-16 UNF-3A</b> <b>Part no. 404 875</b></p>	<p><b>Adapter plate</b> <b>Part no. 255 198</b></p>
<p>Material: Stainless steel 1.4305 (AISI 303) Order O-rings separately: O-ring 15x2: Part no. 560 853 O-ring 15.3x2.2: Part no. 401 133</p>	<p>Material: Stainless steel 1.4305 (AISI 303) Order O-rings separately: O-ring 15x2: Part no. 560 853 O-ring 16.4x2.2: Part no. 560 315</p>	<p>Adapter plate for mounting an RFV-B as replacement for an RF-C. Order the RFV-B with the addition H003</p>

Controlling design dimensions are in millimeters and measurements in ( ) are in inches

Mounting accessories



**Sensor rod with threaded flange with flat-face (M18x1.5-6g) and O-ring**  
HD [length mm: XXXX] M  
HD [length in.: XXX.X] U

Pressure rod Ø: 12.7 mm (0.5 in.)  
Length: 100...7500 mm (4...295 in.)  
Operating pressure: 350 bar (5076 psi)  
Material flange:  
Stainless steel 1.4305 (AISI 303)  
Material rod:  
Stainless steel 1.4301 (AISI 304)



**Sensor rod with threaded flange with flat-face (3/4"-16 UNF-3A) and O-ring**  
HL [length mm: XXXX] M  
HL [length in.: XXX.X] U

Pressure rod Ø: 12.7 mm (0.5 in.)  
Length: 100...7500 mm (4...295 in.)  
Operating pressure: 350 bar (5076 psi)  
Material flange:  
Stainless steel 1.4305 (AISI 303)  
Material rod:  
Stainless steel 1.4301 (AISI 304)



**Sensor rod with threaded flange with raised-face (3/4"-16 UNF-3A) and O-ring**  
HP [length mm: XXXX] M  
HP [length in.: XXX.X] U

Pressure rod Ø: 12.7 mm (0.5 in.)  
Length: 100...7500 mm (4...295 in.)  
Operating pressure: 350 bar (5076 psi)  
Material flange:  
Stainless steel 1.4305 (AISI 303)  
Material rod:  
Stainless steel 1.4301 (AISI 304)

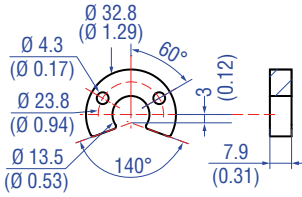
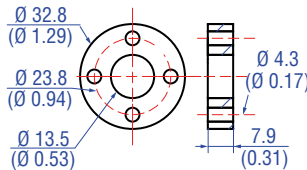
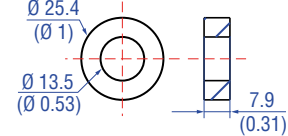
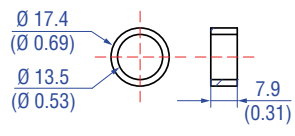


**Profile with flange**  
HFP [length mm: XXXXX] M  
HFP [length in.: XXXX.X] U

Length: Max. 20,000 mm (max. 787 in.)  
Ingress protection: IP30  
Material: Aluminum

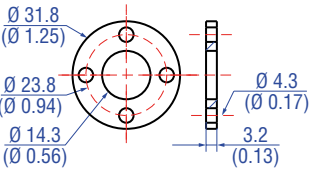
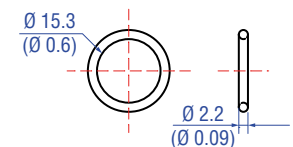
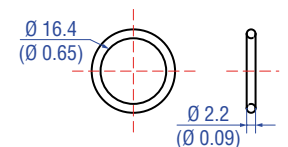
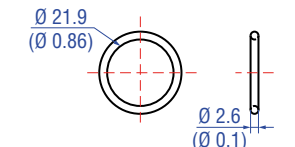
4.18 Frequently ordered accessories for Temposonics® RD5 – Additional options available in our [Accessories Catalog](#) 551 444

Position magnets

			
<p><b>U-magnet OD33</b> Part no. 251 416-2</p>	<p><b>Ring magnet OD33</b> Part no. 201 542-2</p>	<p><b>Ring magnet OD25.4</b> Part no. 400 533</p>	<p><b>Ring magnet OD17.4</b> Part no. 401 032</p>
<p>Material: PA ferrite GF20 Weight: Approx. 11 g Surface pressure: Max. 40 N/mm<sup>2</sup> Fastening torque for M4 screws: 1 Nm Operating temperature: -40...+120 °C (-40...+248 °F)</p>	<p>Material: PA ferrite GF20 Weight: Approx. 14 g Surface pressure: Max. 40 N/mm<sup>2</sup> Fastening torque for M4 screws: 1 Nm Operating temperature: -40...+120 °C (-40...+248 °F)</p>	<p>Material: PA ferrite Weight: Approx. 10 g Surface pressure: Max. 40 N/mm<sup>2</sup> Operating temperature: -40...+120 °C (-40...+248 °F)</p>	<p>Material: PA neobond Weight: Approx. 5 g Surface pressure: Max. 20 N/mm<sup>2</sup> Operating temperature: -40...+105 °C (-40...+221 °F)</p>

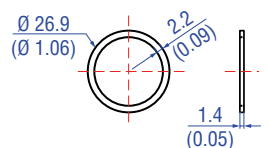
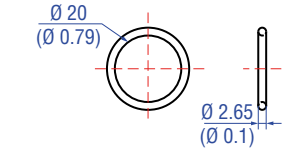
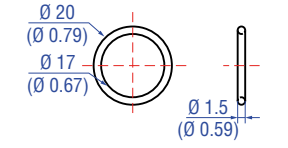
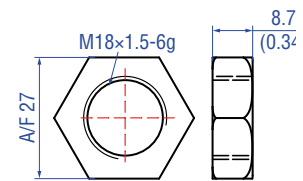
Magnet spacer

O-rings

			
<p><b>Magnet spacer</b> Part no. 400 633</p>	<p><b>O-ring for threaded flange M18x1.5-6g</b> Part no. 401 133</p>	<p><b>O-ring for threaded flange 3/4"-16 UNF-3A</b> Part no. 560 315</p>	<p><b>O-ring for pressure fit flange Ø 26.9 mm</b> Part no. 560 705</p>
<p>Material: Aluminum Weight: Approx. 5 g Surface pressure: Max. 20 N/mm<sup>2</sup> Fastening torque for M4 screws: 1 Nm</p>	<p>Material: Fluoroelastomer Durometer: 75 ±5 Shore A Operating temperature: -40...+204 °C (-40...+400 °F)</p>	<p>Material: Fluoroelastomer Durometer: 75 ±5 Shore A Operating temperature: -40...+204 °C (-40...+400 °F)</p>	<p>Material: Nitrile rubber Operating temperature: -53...+107 °C (-65...+225 °F)</p>

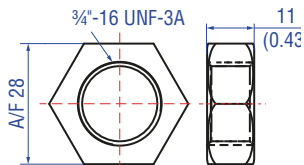
O-rings

Mounting accessories

			
<p><b>Back-up ring for pressure fit flange Ø 26.9 mm</b> Part no. 560 629</p>	<p><b>O-ring for classic mounting block with bottom entry »B«</b> Part no. 561 435</p>	<p><b>O-ring for compact mounting block with bottom entry »E«</b> Part no. 562 405</p>	<p><b>Hex jam nut M18x1.5-6g</b> Part no. 500 018</p>
<p>Material: Polymyte Durometer: 90 Shore A</p>	<p>Material: FKM Durometer: 80 ± 5 Shore A Operating temperature: -15...+200 °C (5...+392 °F)</p>	<p>Material: BUNA Durometer: 70 Shore A Operating temperature: -40...+121 °C (-40...+249,8 °F)</p>	<p>Material: Steel, zinc plated</p>

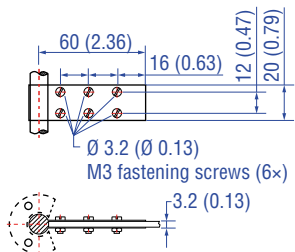
Controlling design dimensions are in millimeters and measurements in ( ) are in inches

Mounting accessories



**Hex jam nut 3/4"-16 UNF-3A**  
**Part no. 500 015**

Material: Steel, zinc plated

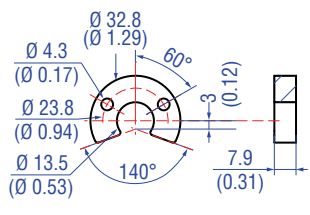
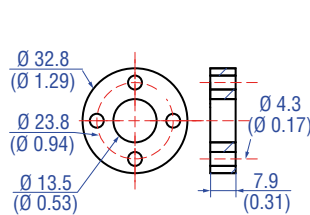
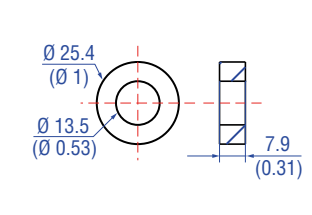
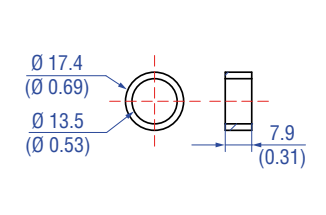


**Fixing clip**  
**Part no. 561 481**

Application: Used to secure sensor rods (Ø 10 mm (Ø 0.39 in.)) when using an U-magnet or block magnet  
 Material: Brass, non-magnetic

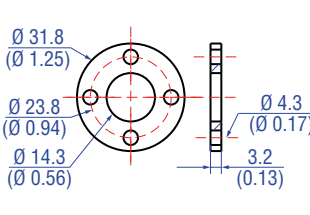
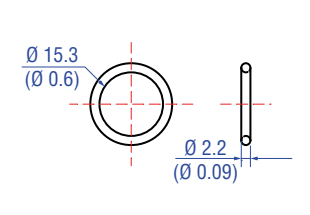
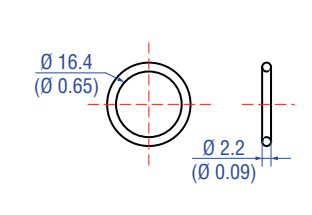
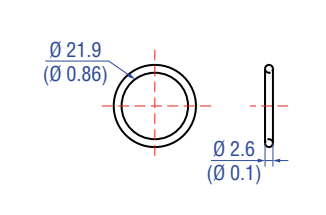
4.19 Frequently ordered accessories for Tempsonics® RDV – Additional options available in our [Accessories Catalog](#) 551 444

Position magnets

			
<p><b>U-magnet OD33</b> Part no. 251 416-2</p> <p>Material: PA ferrite GF20 Weight: Approx. 11 g Surface pressure: Max. 40 N/mm<sup>2</sup> Fastening torque for M4 screws: 1 Nm Operating temperature: -40...+120 °C (-40...+248 °F)</p> <p>Marked version for sensors with internal linearization: Part no. 254 226</p>	<p><b>Ring magnet OD33</b> Part no. 201 542-2</p> <p>Material: PA ferrite GF20 Weight: Approx. 14 g Surface pressure: Max. 40 N/mm<sup>2</sup> Fastening torque for M4 screws: 1 Nm Operating temperature: -40...+120 °C (-40...+248 °F)</p> <p>Marked version for sensors with internal linearization: Part no. 253 620</p>	<p><b>Ring magnet OD25.4</b> Part no. 400 533</p> <p>Material: PA ferrite Weight: Approx. 10 g Surface pressure: Max. 40 N/mm<sup>2</sup> Operating temperature: -40...+120 °C (-40...+248 °F)</p> <p>Marked version for sensors with internal linearization: Part no. 253 621</p>	<p><b>Ring magnet OD17.4</b> Part no. 401 032</p> <p>Material: PA neobond Weight: Approx. 5 g Surface pressure: Max. 20 N/mm<sup>2</sup> Operating temperature: -40...+105 °C (-40...+221 °F)</p>

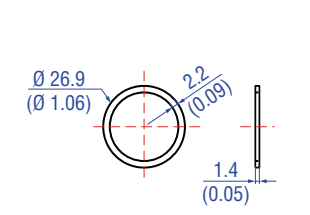
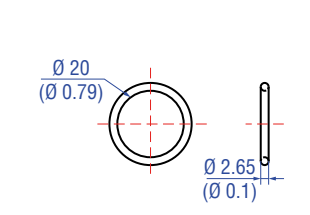
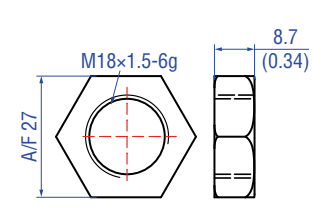
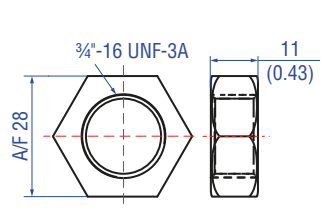
Magnet spacer

O-rings

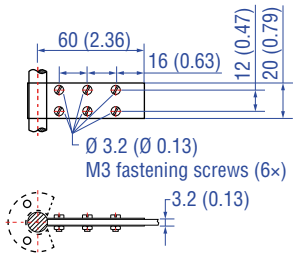
			
<p><b>Magnet spacer</b> Part no. 400 633</p> <p>Material: Aluminum Weight: Approx. 5 g Surface pressure: Max. 20 N/mm<sup>2</sup> Fastening torque for M4 screws: 1 Nm</p>	<p><b>O-ring for threaded flange M18x1.5-6g</b> Part no. 401 133</p> <p>Material: Fluoroelastomer Durometer: 75 ±5 Shore A Operating temperature: -40...+204 °C (-40...+400 °F)</p>	<p><b>O-ring for threaded flange 3/4"-16 UNF-3A</b> Part no. 560 315</p> <p>Material: Fluoroelastomer Durometer: 75 ±5 Shore A Operating temperature: -40...+204 °C (-40...+400 °F)</p>	<p><b>O-ring for pressure fit flange Ø 26.9 mm</b> Part no. 560 705</p> <p>Material: Nitrile rubber Operating temperature: -53...+107 °C (-65...+225 °F)</p>

O-rings

Mounting accessories

			
<p><b>Back-up ring for pressure fit flange Ø 26.9 mm</b> Part no. 560 629</p> <p>Material: Polymyte Durometer: 90 Shore A</p>	<p><b>O-ring for classic mounting block with bottom entry »B«</b> Part no. 561 435</p> <p>Material: FKM Durometer: 80 ± 5 Shore A Operating temperature: -15...+200 °C (5...+392 °F)</p>	<p><b>Hex jam nut M18x1.5-6g</b> Part no. 500 018</p> <p>Material: Steel, zinc plated</p>	<p><b>Hex jam nut 3/4"-16 UNF-3A</b> Part no. 500 015</p> <p>Material: Steel, zinc plated</p>

## Mounting accessories

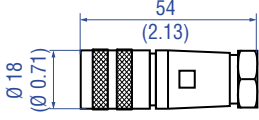
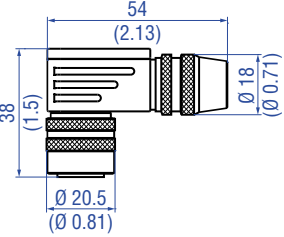
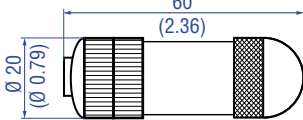
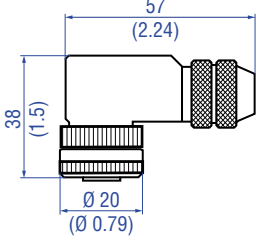


### Fixing clip Part no. 561 481

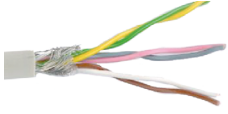
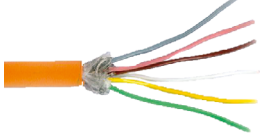
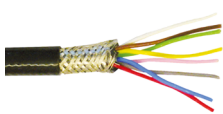

Application: Used to secure sensor rods (Ø 10 mm (Ø 0.39 in.)) when using an U-magnet or block magnet  
Material: Brass, non-magnetic

4.20 Frequently ordered accessories for SSI output – Additional options available in our [Accessories Catalog](#) 551 444

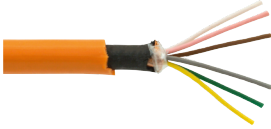
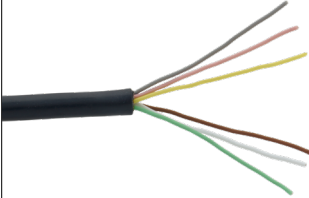


Cable connectors\*

			
<p><b>M16 female connector (7 pin), straight</b> Part no. 370 624</p>	<p><b>M16 female connector (7 pin), angled</b> Part no. 560 779</p>	<p><b>M12 A-coded female connector (8 pin), straight</b> Part no. 370 694</p>	<p><b>M12 A-coded female connector (8 pin), angled</b> Part no. 370 699</p>
<p>Material: Zinc nickel plated Termination: Solder Contact insert: Silver plated Cable clamp: PG9 Cable Ø: 6...8 mm (0.24...0.31 in.) Operating temperature: -40...+100 °C (-40...+212 °F) Ingress protection: IP65/IP67 (correctly fitted) Fastening torque: 0.7 Nm</p>	<p>Material: Zinc nickel plated Termination: Solder Contact insert: Silver plated Cable clamp: PG9 Cable Ø: 6...8 mm (0.24...0.31 in.) Operating temperature: -40...+100 °C (-40...+212 °F) Ingress protection: IP65/IP67 (correctly fitted) Fastening torque: 0.7 Nm</p>	<p>Housing: GD-ZnAL Termination: Screw Contact insert: CuZn Cable Ø: 4...9 mm (0.16...0.35 in.) Wire: 0.75 mm<sup>2</sup> Operating temperature: -25...+90 °C (-13...+194 °F) Ingress protection: IP67 (correctly fitted) Fastening torque: 0.6 Nm</p>	<p>Housing: GD-ZnAL Termination: Screw Contact insert: CuZn Cable Ø: 6...8 mm (0.24...0.31 in.) Wire: 0.5 mm<sup>2</sup> Operating temperature: -25...+85 °C (-13...+185 °F) Ingress protection: IP67 (correctly fitted) Fastening torque: 0.6 Nm</p>



Cables

			
<p><b>PVC cable</b> Part no. 530 032</p>	<p><b>PUR cable</b> Part no. 530 052</p>	<p><b>FEP cable</b> Part no. 530 112</p>	<p><b>FEP cable</b> Part no. 530 157</p>
<p>Material: PVC jacket; gray Features: Twisted pair, shielded, flexible Cable Ø: 6 mm (0.23 in.) Cross section: 3 × 2 × 0.14 mm<sup>2</sup> Bending radius: 10 × D (fixed installation) Operating temperature: -40...+105 °C (-40...+221 °F)</p>	<p>Material: PUR jacket; orange Features: Twisted pair, shielded, highly flexible, halogen free, suitable for drag chains, mostly oil &amp; flame resistant Cable Ø: 6.4 mm (0.25 in.) Cross section: 3 × 2 × 0.19 mm<sup>2</sup> Bending radius: 5 × D (fixed installation) Operating temperature: -20...+80 °C (-4...+176 °F)</p>	<p>Material: FEP jacket; black Features: Twisted pair, shielded, flexible, high thermal resistance, mostly oil &amp; acid resistant Cable Ø: 7.6 mm (0.3 in.) Cross section: 4 × 2 × 0.25 mm<sup>2</sup> Bending radius: 8 – 10 × D (fixed installation) Operating temperature: -100...+180 °C (-148...+356 °F)</p>	<p>Material: FEP jacket; black Features: Twisted pair, shielded Cable Ø: 6.7 mm (0.26 in.) Cross section: 3 × 2 × 0.14 mm<sup>2</sup> Operating temperature: -40...+180 °C (-40...+356 °F)</p>

\*/ Follow the manufacturer's mounting instructions  
Controlling design dimensions are in millimeters and measurements in ( ) are in inches  
Color of connectors and cable jacket may change. Color codes for the individual wires and technical properties remain unchanged.

Cables		Cable sets	
			
<b>PUR cable</b> <b>Part no. 530 175</b>  Material: PUR jacket; orange Features: Flexible, additional EMC protection Cable Ø: 6.5 mm (0.26 in.) Cross section: 6 × 0.14 mm <sup>2</sup> Bending radius: 10 × D (fixed installation) Operating temperature: -30...+90 °C (-22...+194 °F)	<b>Silicone cable</b> <b>Part no. 530 176</b>  Material: Silicone jacket; black Features: Twisted pair, shielded Cable Ø: 6.3 mm (0.25 in.) Cross section: 3 × 2 × 0.14 mm <sup>2</sup> Bending radius: 7 × D (fixed installation) Operating temperature: -50...+150 °C (-58...+302 °F)	<b>Cable with M12 A-coded female connector (8 pin), straight – pigtail</b> <b>Part no. 370 789</b>  Material: PUR jacket; orange Features: Twisted pair, shielded Cable length: 5 m (16.4 ft) Ingress protection: IP67/IP69K (correctly fitted) Operating temperature: -25...+80 °C (-13...+176 °F)	<b>Cable with M12 A-coded female connector (8 pin), angled – pigtail</b> <b>Part no. 370 821</b>  Material: PUR jacket; orange Features: Twisted pair, shielded Cable length: 5 m (16.4 ft) Ingress protection: IP67/IP69K (correctly fitted) Operating temperature: -25...+80 °C (-13...+176 °F)

**Programming tools**

	
<b>TempoLink® kit for Temposonics® R-Series V</b> <b>Part no. TL-1-0-SD70 (for D70)</b> <b>Part no. TL-1-0-SD84 (for D84)</b> <b>Part no. TL-1-0-AS00 (for cable outlet)</b>  <ul style="list-style-type: none"> <li>• Connect wirelessly via Wi-Fi enabled device or via USB with the diagnostic tool</li> <li>• Simple connectivity to the sensor via 24 VDC power line (permissible cable length: 30 m)</li> <li>• User friendly interface for mobile devices and desktop computers</li> <li>• See data sheet “TempoLink® smart assistant” (document part no.: <a href="#">552070</a>) for further information</li> </ul>	<b>TempoGate® smart assistant for Temposonics® R-Series V</b> <b>Part no. TG-C-0-Dxx</b> (xx indicates the number of R-Series V sensors that can be connected (even numbers only))  <ul style="list-style-type: none"> <li>• OPC UA server for diagnostics of the R-Series V</li> <li>• For installation in the control cabinet</li> <li>• Connection via LAN and Wi-Fi</li> <li>• See data sheet “TempoGate® smart assistant” document part no.: <a href="#">552110</a> for further information</li> </ul>

Color of connectors and cable jacket may change. Color codes for the individual wires and technical properties remain unchanged.

## 5. Commissioning

### 5.1 Introduction

#### SSI

The synchronous-serial interface (SSI) is a digital interface that enables serial transmission. Data is transmitted from the device to the connected control system synchronously to a clock rate specified by the control system. The interface of Temposonics® position sensors corresponds to SSI industry standard for absolute encoders. Its displacement value is encoded in a 24/25/26 bit binary or gray format and transmitted as a differential signal in SSI standard (RS-485/RS-422) – independent of data width of the code (resolution). The absolute, parallel position data is continually updated by the sensor and converted by the shift-register into a serial bit stream. Dependent on the baud rate chosen in the control system the following cable lengths are possible:

Cable length	< 3 m	< 50 m	< 100 m	< 200 m	< 400 m
Baud rate	1 MBd	< 400 kBd	< 300 kBd	< 200 kBd	< 100 kBd

Fig. 105: Cable lengths and related baud rates

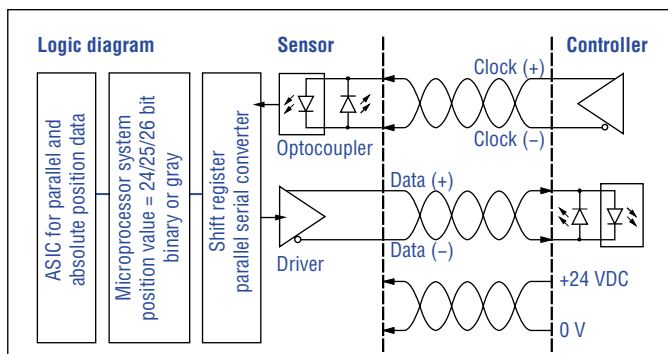


Fig. 106: Schematic connection

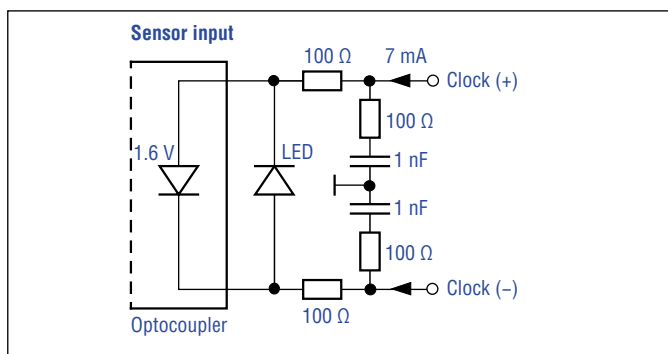


Fig. 107: Input wiring clock (+)/clock (-)

The data is transferred serially at SSI, whereby the control system determines the time of the polling. During data transmission, the procedure described below is carried out (Fig. 108):

1. In the idle state, when no data is transmitted, the data line and the clock line are at high level. ①
2. The current position data is frozen in the shift register with the first falling clock edge. It is no longer possible to update the position data in this cycle. ②
3. The bit is applied at the following rising edge. ③
4. With the following falling edge, the transmission of the data begins with the **Most Significant Bit (MSB)**. ④
5. This is repeated for each next lower bit until the **Last Significant Bit (LSB)** is transmitted.
6. The standard one shot starts after the last falling clock edge ⑤. After the transmission of the LSB, the data line remains on the low level and the clock line on the high level until the end of the standard one shot. Then the sensor is ready for the transmission of a new data ⑥.

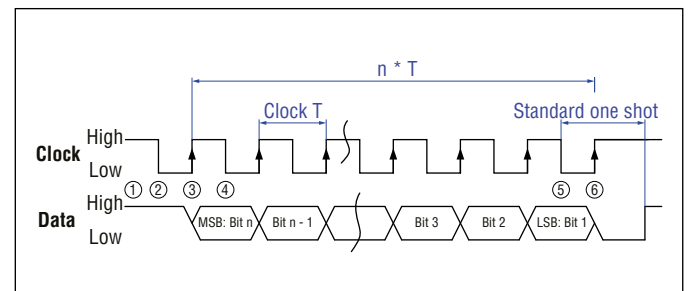
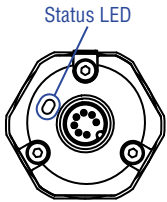


Fig. 108: Timing diagram

## 5.2 LED status

The LED on the sensor visualizes the current sensor status. In normal function the LED is continuously green. In other cases the color of the LED changes in the time slot of 0.5 seconds as shown in Fig. 109.

R-Series V SSI LED status				
				
Time slot 1	Time slot 2	Time slot 3	Time slot 4	Information
GN	GN	GN	GN	Normal function
RD + GN	RD + GN	RD + GN	RD + GN	Magnet status error
BU + GN	BU + GN	BU + GN	BU + GN	Sync status error
RD	Off	RD	Off	Power supply error
BU	Off	BU	Off	Command Mode
GN	RD	BU	Off	Extra magnet
GN	Off	GN	Off	Cycle timeout
GN	BU	RD	Off	Configuration error
BU	GN	RD	Off	Storage error
BU	RD	GN	Off	Internal error
RD	BU	GN	Off	Signal error
RD	GN	BU	Off	Position error

1 × time slot = 0.5 seconds

Fig. 109: LED status

Fig. 110 describes error conditions that are output via the LEDs and troubleshooting.

Error condition	Description	Troubleshooting
Magnet status error	Sensor registers less position magnets than set	Ensure that the number of position magnets on the sensor matches the set number.
Sync status error	Sensor cannot synchronize to the external clock of the control system	Adjust the parameter "Jitter Window". Reduce the clock rate of the polling cycle at the control system. Ensure that the control system operates in synchronous mode.
Power supply error	Power supply of the sensor is out of the allowable range	Set the power supply for the sensor to the allowable range.
Extra magnet	Sensor registers more position magnets than set	Ensure that the number of position magnets on the sensor matches the set number.
Cycle timeout	In synchronous mode, the sensor does not receive the clock for the polling cycle	Ensure that the clock of the control system arrives at the sensor. Ensure that the control system operates in synchronous mode.
Configuration error	Invalid configuration of the sensor	Check the configuration of the sensor. Contact Temposonics.
Storage error	Error in internal data storage	Contact Temposonics.
Internal error	Internal error of the sensor	Contact Temposonics.
Signal error	Internal signal error	Contact Temposonics.
Position error	Error in position measurement	Contact Temposonics.

Fig. 110: Error conditions and troubleshooting

### NOTICE

#### Observe during commissioning

1. Before initial switch-on, check carefully if the sensor has been connected correctly.
2. Position the magnet in the measuring range of the sensor during first commissioning and after replacement of the magnet.
3. Ensure that the sensor control system cannot react in an uncontrolled way when switching on.
4. Ensure that the sensor is ready and in operation mode after switching on. The status LED lights permanently green.
5. Check the preset span start and end values of the measuring range (see chapter 4.9) and correct them via the TempoLink® smart assistant, if necessary.

### 5.3 Programming and configuration

#### 5.3.1 Connection of TempoLink® smart assistant to R-Series V sensor

The TempoLink® smart assistant can be connected to all R-Series V sensors. Use the adapter cable for connection of the TempoLink® smart assistant to the R-Series V. If the sensor is connected to a control system, disconnect the sensor from that control system before connecting the TempoLink® smart assistant to the sensor. Connect the barrel connector of the adapter cable to the connection point labeled “OUTPUT SENSOR” on the TempoLink® smart assistant (Fig. 111).

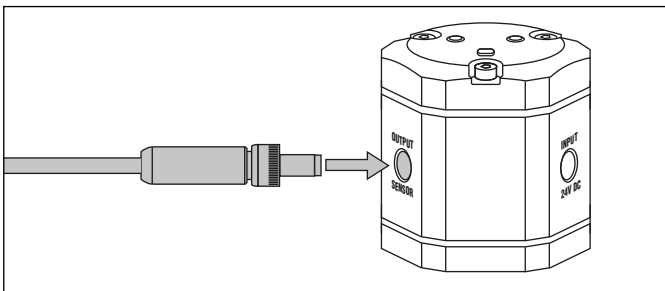


Fig. 111: Connection of adapter cable to TempoLink® smart assistant

#### NOTICE

- When disconnecting the power supply of the sensor, possibly error messages occur at the connected control system.
- Do not exceed the maximum cable length between TempoLink® smart assistant and R-Series V sensor of 30 m (99 ft.).

#### 1. Connection to a sensor with connector outlet

Connect the other end of the adapter cable to the R-Series V. The sensor is powered by the TempoLink® smart assistant (Fig. 112).

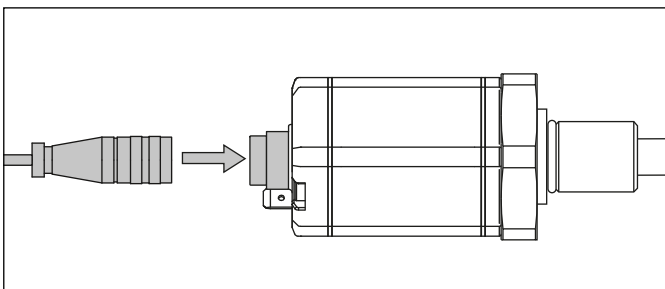


Fig. 112: Connection of adapter cable to R-Series V sensor with connector outlet

#### 2. Connection to a sensor with cable outlet

Connect the pig-tails of the sensor cable to the terminal clamps of the adapter cable according to the connector wiring in Fig. 113 (Fig. 114).

Color sensor cable	Color adapter cable	Function
GY	GY	–
PK	PK	–
YE	YE	–
GN	GN	–
BN	BN	+ 24 VDC
WH	WH	DC Ground (0 V)

Fig. 113: Connection of adapter cable to sensor cable

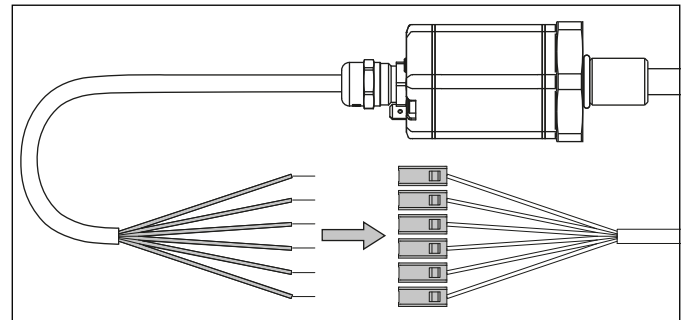


Fig. 114: Connection of adapter cable to R-Series V sensor with cable outlet

### 5.3.2 Connection of TempoLink® smart assistant to power supply

Connect the barrel connector of the power supply to the connection point labeled “INPUT 24 VDC” on the TempoLink® smart assistant (Fig. 115).

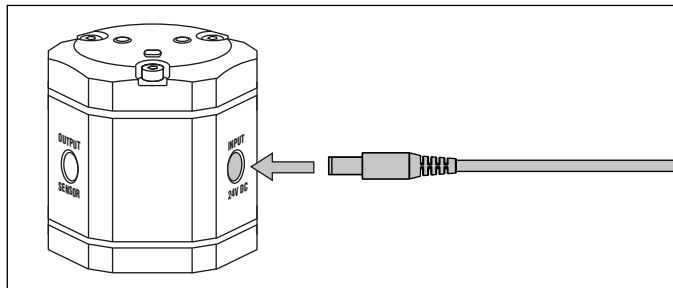


Fig. 115: Connection of power supply to the TempoLink® smart assistant

There are two ways to connect the TempoLink® smart assistant to a power supply:

#### 1. Connection via the plug-in power supply with plug adapters

Attach the plug attachment suitable for your country to the plug. Insert the plug into the outlet (Fig. 116).

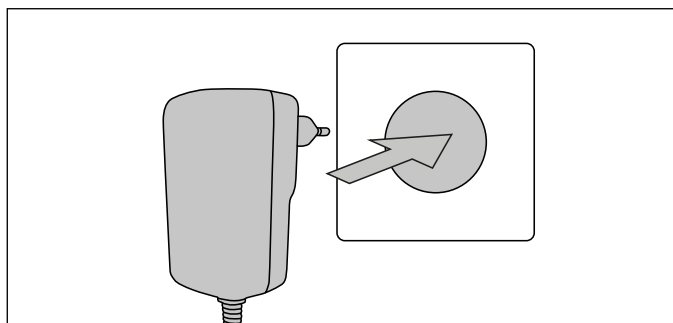


Fig. 116: Connection of the plug-in power supply to the outlet

#### 2. Connection via the cable with barrel connector and pig-tail

Connect the cable to a power supply according to the connector wiring in Fig. 117 (Fig. 118).

Cable	Function
● RD	+24 VDC
● BK	DC Ground (0 V)

Fig. 117: Connector wiring cable

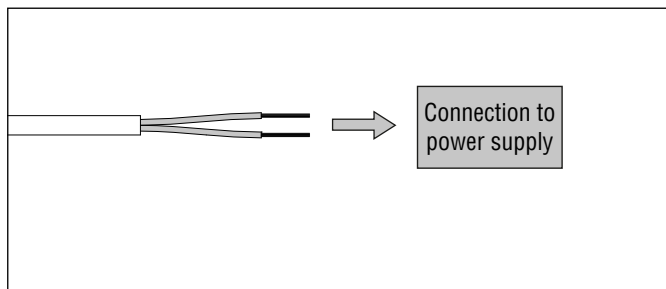


Fig. 118: Connection of cable with barrel connector and pig-tails

### 5.3.3 Connection of TempoLink® smart assistant to smartphone, tablet or computer

Connect to a smartphone, tablet or computer to display the graphical user interface of the TempoLink® smart assistant.

#### Connecting a Wi-Fi enabled device to the integrated Wi-Fi access point<sup>3</sup>

Activate Wi-Fi on the device and choose the network “TempoLink\_XXXX” (XXXX indicates the last four digits of the serial number). The access to the Wi-Fi network is password protected. The default password is the serial number printed on the label on the bottom of the TempoLink® smart assistant.

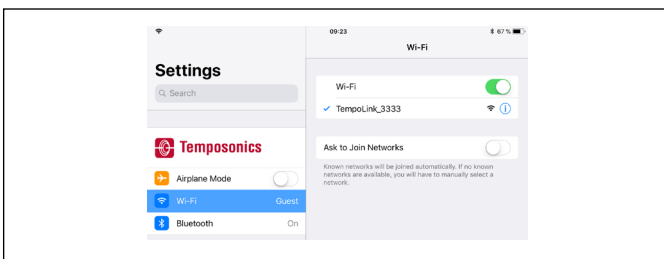


Fig. 119: Choose the network “TempoLink\_XXXX” in the Wi-Fi settings of the Wi-Fi-enabled device

#### NOTICE

If you are using a mobile device, ensure cellular data is off. Depending on your operation system, message can appear, that there is no internet access. TempoLink® smart assistant does not need internet access. Connecting to the user interface may take longer if Wi-Fi and cellular data are active.

#### Connecting a computer via USB connection

The TempoLink® smart assistant can also be connected via USB. If the computer is Wi-Fi enabled deactivate Wi-Fi on the computer before setting up the USB connection.

1. Connect the USB cable with the micro USB connector to the port labeled “USB” on the TempoLink® smart assistant (Fig. 120).
2. Next, connect the USB type-A connector to a free USB port of the computer. The USB connection simulates a network card. In the folder “network connections” on the computer the connection is shown as “IP-over-USB” or “Remote NDIS”.

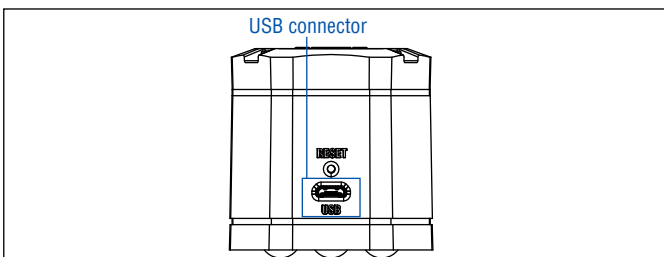


Fig. 120: USB port on the TempoLink® smart assistant

3/ The integrated Wi-Fi access point does not provide internet access.

#### NOTICE

- Only one device can be connected to the TempoLink® smart assistant at a time in order to display the graphical user interface.
- Disable all Wi-Fi and LAN connections before connecting TempoLink® smart assistant via USB. Connecting to the user interface may take longer if Wi-Fi and LAN connections are active.
- Should the website do not build up, it may be useful to press CTRL + F5 to delete cached text and images from prior to launching the <http://tempolink.local> website.

### 5.3.4 Establishing a connection via browser

After the connection via Wi-Fi or USB is established, open the browser on your mobile device or computer and go to the website-URL:

**http://tempolink.local**

It is recommended to use the browser Mozilla Firefox, Google Chrome, Microsoft Edge or Apple Safari.

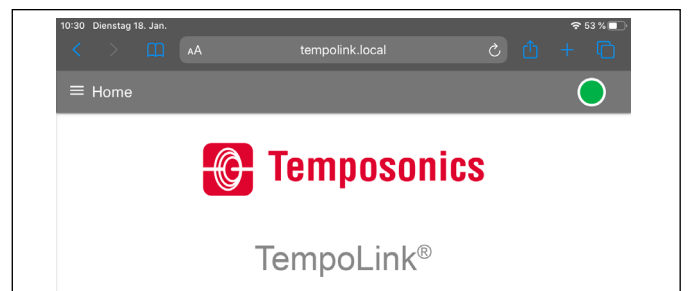


Fig. 121: Main menu of the graphical user interface

#### Connection status

Green	Information
● ON	Connection to sensor is established
Red	Information
● ON	Connection to sensor is not established
Blue	Information
● ON	Sensor in command mode

Fig. 122: Connection status

### 5.3.5 Graphical user interface

Click the menu symbol ≡ in the top left to get to the main menu of the graphical user interface (GUI) (Fig. 123):

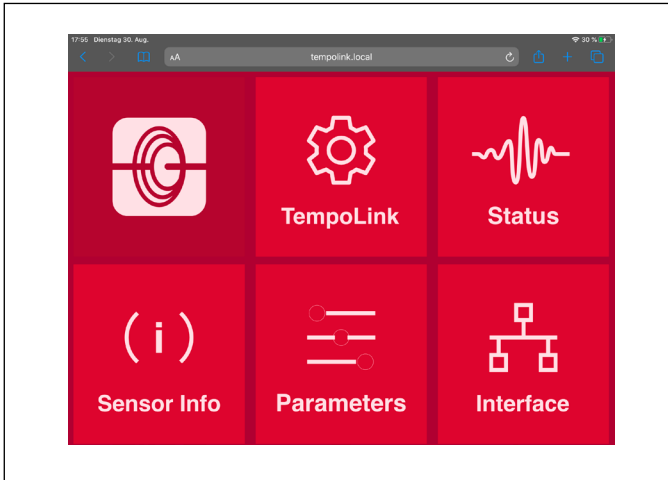


Fig. 123: Main menu of the graphical user interface

#### NOTICE

Read the TempoLink® smart assistant operation manual (document part number: [551986](#)) for more information.

#### Menu item TempoLink

Includes information about the TempoLink® smart assistant.

#### Menu item Status

Includes information about the sensor status.

#### Menu item Sensor Info

Includes information about the connected sensor.

#### Menu item Parameters

Includes information about the operational settings of the connected sensor (Fig. 124).

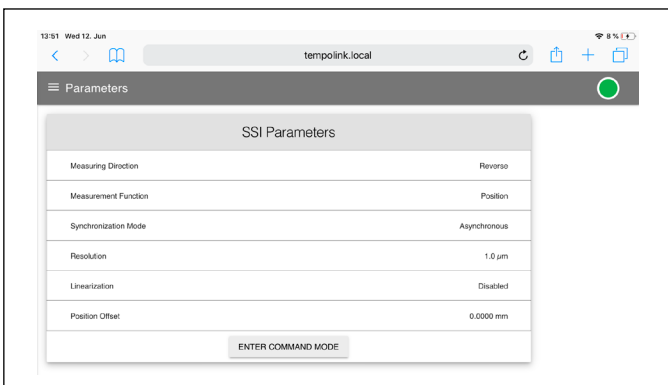


Fig. 124: SSI parameters

To change parameters or to reset the sensor to factory settings, the command mode must be started. In command mode, the sensor does not output a position value. By clicking the button “ENTER COMMAND MODE” the “Enter Command Mode” window opens. After reading the information, enter the word COMMAND and confirm by clicking “OK” (Fig. 125).

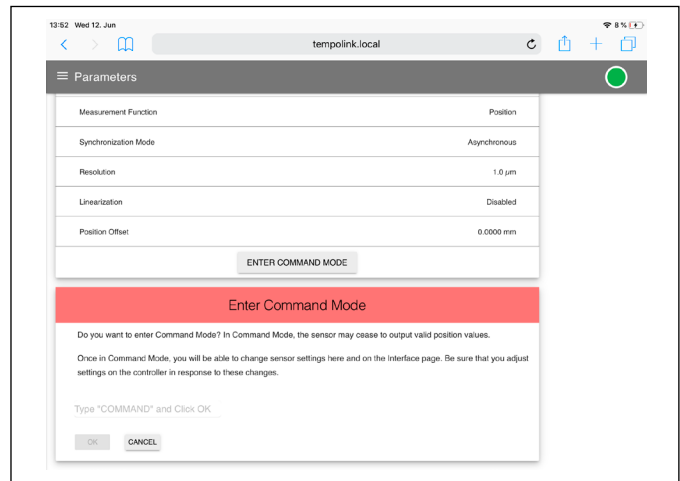


Fig. 125: Starting the command mode to change parameters of the connected sensor

After entering the command mode the connection icon on the top right will turn from green to blue. The status LED of the sensor also flashes blue. A pencil icon ✎ will appear to the right of parameter values. By clicking the pencil icon a new menu for configuring the parameters will open. Change the parameter and confirm it by clicking the “SUBMIT” button (Fig. 126).

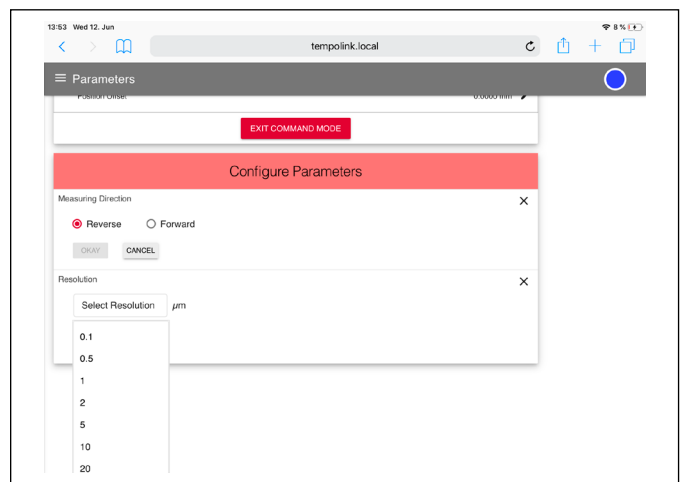


Fig. 126: Configuration of SSI parameters

**Measuring Direction:** Setting the measuring direction (see “Glossary” on page 111) for position measurement.

- Forward
- Reverse

**Measurement Function:** Setting the function of the measurement.

- Position
- Velocity
- Differential

**Synchronization Mode:** Setting the type of synchronization for the position measurement (see “Glossary” on page 111).

- Asynchronous
- Synchronous mode 1
- Synchronous mode 2
- Synchronous mode 3

**Resolution:** Setting the resolution of the position measurement (see “Glossary” on page 111).

**Linearization:** Setting the internal linearization (see “Glossary” on page 111).

- Enabled

**NOTICE** “Enabled” can only be activated if the sensor was ordered with the option “internal linearization”.

- Disabled

**Filter Configuration:** Setting of the filter for the output value (see “Glossary” on page 111).

- Filter Type: Setting the filter type.
  - None: No filter (default value)
  - FIR (Finite Impulse Response Filter)
  - IIR (Infinite Impulse Response Filter)
- Filter Window Size: Setting of position values for calculating the filter of the output value.

By clicking the button “FACTORY RESET” the sensor is reset to the factory settings. After the parameters have been configured or the factory reset has been carried out, click the “EXIT COMMAND MODE” button. A new menu for exiting the command mode will open (Fig. 127). Click the “SAVE AND EXIT” button to exit the command mode and to transfer the changed parameters to the sensor. The sensor returns to the normal function and outputs the current position value. The connection icon on the top right will turn to green. The status LED of the sensor flashes green.

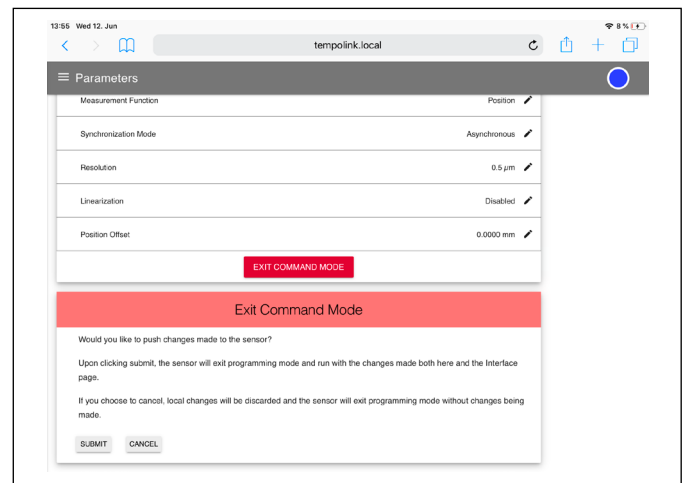


Fig. 127: Exit the command mode

**NOTICE**

Changes to the sensor parameters must also be set to the control system. Different parameter values on sensor and control system can lead to unpredictable behavior of the control system.

**Menu item Interface**

Includes information about the interface settings of the connected sensor (Fig. 128).

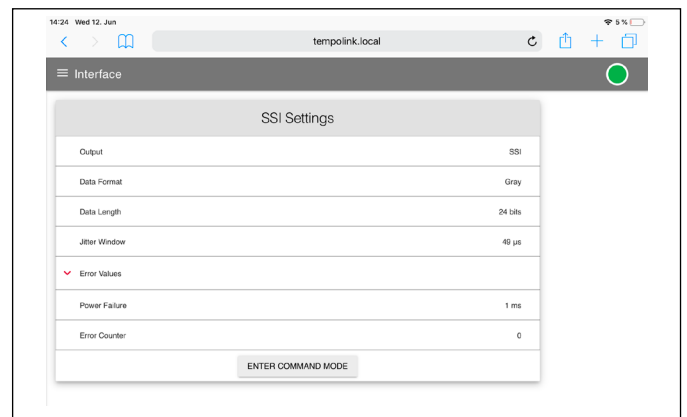


Fig. 128: Configuration of SSI settings

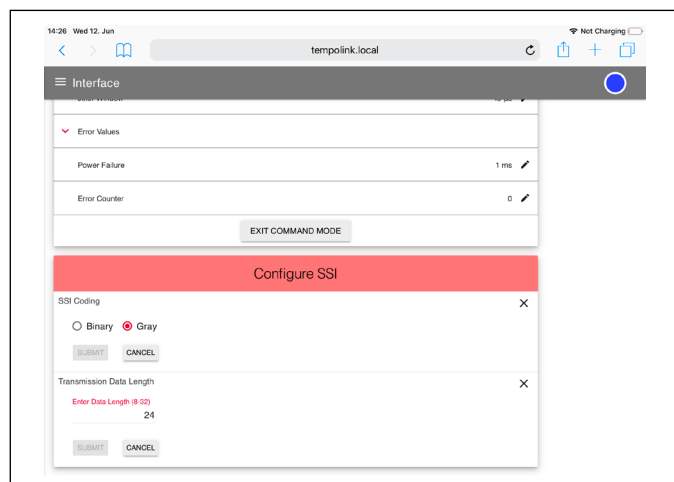



Fig. 129: Configuration of SSI settings

To change interface settings, start the command mode (page 92). After entering the command mode a pencil icon  will appear to the right of the setting values. By clicking the pencil icon a new menu for configuring the settings will open. Change the parameter and confirm it by clicking the “SUBMIT” button (Fig. 129).

**Data Format:** Setting the SSI coding for the data transmission.

**Data Length:** Setting the bit width for the data transmission.

**Jitter Window:** The jitter specifies the time interval between the start of measuring and the SSI clock, which is given by the PLC (for synchronous mode). Values between 0...255  $\mu$ s can be set for this parameter (default value: 50  $\mu$ s). A larger value extends the cycle time of the sensor.

**Monoflop Time:** Break between two consecutive bar sequences, also called “standard one shot” (Fig. 108). Values between 16...25  $\mu$ s can be set for this parameter (default value: 16  $\mu$ s).

**Error Values:** Setting the values which are transmitted in case of a failure.

**Power Failure:** Setting the time from when a power failure is output.

**Error Counter:** Setting the number how often in the case of a failure (1...255 times) the old measurement value will be repeated, before the error value will be displayed.

After the settings have been configured, click the “EXIT COMMAND MODE” button. A new menu for exiting the command mode will open. Click the “SAVE AND EXIT” button to exit the command mode and to transfer the changed settings to the sensor. The sensor returns to the normal function and outputs the current position value. The connection icon on the top right will turn to green. The status LED of the sensor flashes green.

#### NOTICE

Changes to the sensor parameters must also be set to the control system.  
Different parameter values on sensor and control systems can lead to unpredictable behavior of the control system.

## 6. Maintenance and troubleshooting

### 6.1 Error conditions, troubleshooting

See chapter “5. Commissioning” on page 87.

### 6.2 Maintenance

The sensor is maintenance-free.

### 6.3 Repair

Repairs of the sensor may be performed only by Temposonics or a repair facility explicitly authorized by Temposonics. For return see chapter “2.6 Return” on page 5.

### 6.4 List of spare parts

No spare parts are available for this sensor.

### 6.5 Transport and storage

The conditions of transport and storage of the sensor match the operating conditions mentioned in this document.

## 7. Removal from service/dismantling

The product contains electronic components and must be disposed of in accordance with the local regulations.

## 8. Technical data

### 8.1 Technical data of Temposonics® RP5

Output							
Interface	SSI (Synchronous Serial Interface) – differential signal in SSI standard (RS-485/RS-422)						
Data format	Binary or gray						
Data length	8...32 bit						
Data transmission rate	70 kBaud <sup>4</sup> ...1 MBaud, depending on cable length:						
	Cable length	< 3 m	< 50 m	< 100 m	< 200 m	< 400 m	
	Baud rate	1 MBd	< 400 kBd	< 300 kBd	< 200 kBd	< 100 kBd	
Measured value	Position or velocity, position and temperature in the sensor electronics housing						
Measurement parameters							
Resolution: Position	0.1...100 µm (0.0001...0.1 mm)						
Resolution: Velocity	0.001 mm/s (determined over 10 measured values)						
Update rate <sup>5</sup>	Stroke length	25 mm	300 mm	750 mm	1000 mm	2000 mm	6350 mm
	Update rate	10 kHz	3.4 kHz	2.7 kHz	2.1 kHz	1.2 kHz	0.4 kHz
Linearity deviation <sup>6</sup>	Stroke length	≤ 400 mm		> 400 mm			
	Linearity deviation	≤ ±40 µm		< ±0.01 % F.S.			
	Optional internal linearization: Linearity tolerance (applies for the first magnet for differential measurement)						
	Stroke length	25...300 mm	300...600 mm	600...1200 mm	1200...3000 mm	3000...5000 mm	5000...6350 mm
	Typical	± 15 µm	± 20 µm	± 25 µm	± 45 µm	± 85 µm	± 95 µm
	Maximum	± 25 µm	± 30 µm	± 50 µm	± 90 µm	± 150 µm	± 190 µm
Repeatability	< ±0.001 % F.S. (minimum ±2.5 µm) typical						
Hysteresis	< 4 µm typical						
Temperature coefficient	< 15 ppm/K typical						
Operating conditions							
Operating temperature	–40...+85 °C (–40...+185 °F)						
Humidity	90 % relative humidity, no condensation						
Ingress protection	IP67 (connectors correctly fitted)/IP68 (3 m/3 d) for cable outlet						
Shock test	150 g/11 ms, IEC standard 60068-2-27						
Vibration test	30 g/10...2000 Hz, IEC standard 60068-2-6 (excluding resonant frequencies)						
EMC test	Electromagnetic emission according to EN 61000-6-3						
	Electromagnetic immunity according to EN 61000-6-2						
	The RP5 sensors fulfill the requirements of the EMC directives 2014/30/EU and UKSI 2016 No. 1091						
Magnet movement velocity	Magnet slider: Maximum 10 m/s; U-magnet: Any; block magnet: Any						
Design/Material							
Sensor electronics housing	Aluminum (painted), zinc die-cast						
Sensor profile	Aluminum						
RoHS compliance	The used materials are compliant with the requirements of EU Directive 2011/65/EU and EU Regulation 2015/863 as well as UKSI 2022 No. 622 with amendments						
Stroke length	25...6350 mm (1...250 in.)						
Mechanical mounting							
Mounting position	Any						
Mounting instruction	Please consult the technical drawings on <a href="#">page 23</a>						

Technical data “Electrical connection” on [page 96](#)

4/ With standard one shot of 16 µs

5/ Sensor with standard settings

6/ With position magnet # 252 182

<b>Electrical connection</b>	
Connection type	1 × M16 male connector (7 pin), 1 × M12 male connector (8 pin) or cable outlet
Operating voltage	+12...30 VDC ±20 % (9.6...36 VDC); the RP5 sensors must be power supplied via an external Class 2 power source in accordance with the UL approval
Power consumption	1.2 W typical
Dielectric strength	500 VDC (DC ground to machine ground)
Polarity protection	Up to -36 VDC
Overvoltage protection	Up to 36 VDC

## 8.2 Technical data of Temposonics® RH5

Output								
Interface	SSI (Synchronous Serial Interface) – differential signal in SSI standard (RS-485/RS-422)							
Data format	Binary or gray							
Data length	8...32 bit							
Data transmission rate	70 kBaud <sup>7</sup> ...1 MBaud, depending on cable length:							
	Cable length	< 3 m	< 50 m	< 100 m	< 200 m	< 400 m		
	Baud rate	1 MBd	< 400 kBd	< 300 kBd	< 200 kBd	< 100 kBd		
Measured value	Position or velocity, position and temperature in the sensor electronics housing							
Measurement parameters								
Resolution: Position	0.1...100 µm (0.0001...0.1 mm)							
Resolution: Velocity	0.001 mm/s (determined over 10 measured values)							
Update rate <sup>8</sup>	Stroke length	25 mm	300 mm	750 mm	1000 mm	2000 mm	7620 mm	
	Update rate	10 kHz	3.4 kHz	2.7 kHz	2.1 kHz	1.2 kHz	0.3 kHz	
Linearity deviation <sup>9</sup>	Stroke length	≤ 400 mm		> 400 mm				
	Linearity deviation	≤ ±40 µm		< ±0.01 % F.S.				
	Optional internal linearization: Linearity tolerance (applies for the first magnet for differential measurement)							
	Stroke length	25...300 mm	300...600 mm	600...1200 mm				
	Typical	± 15 µm	± 20 µm	± 25 µm				
	Maximum	± 25 µm	± 30 µm	± 50 µm				
Repeatability	< ±0.001 % F.S. (minimum ±2.5 µm) typical							
Hysteresis	< 4 µm typical							
Temperature coefficient	< 15 ppm/K typical							
Operating conditions								
Operating temperature	–40...+85 °C (–40...+185 °F)							
Humidity	90 % relative humidity, no condensation							
Ingress protection	IP67 (connectors correctly fitted)/IP68 (3 m/3 d) for straight cable outlet/IP68 (3 m/3 d) & IP69 for angled cable outlet							
Shock test	150 g/11 ms, IEC standard 60068-2-27							
Vibration test	30 g/10...2000 Hz, IEC standard 60068-2-6 (excluding resonant frequencies)/ RH5-J: 15 g/10...2000 Hz, IEC standard 60068-2-6 (excluding resonant frequencies)							
EMC test	Electromagnetic emission according to EN 61000-6-3 Electromagnetic immunity according to EN 61000-6-2 The RH5 sensors fulfill the requirements of the EMC directives 2014/30/EU and UKSI 2016 No. 1091							
Operating pressure	350 bar (5,076 psi)/700 bar (10,153 psi) peak (at 10 × 1 min) for sensor rod/RH5-J: 800 bar (11,603 psi)							
Magnet movement velocity	Any							
Design/Material								
Sensor electronics housing	Aluminum (painted), zinc die-cast							
Sensor flange	Stainless steel 1.4305 (AISI 303)							
Sensor rod	Stainless steel 1.4306 (AISI 304L)/RH5-J: Stainless steel 1.4301 (AISI 304)							
RoHS compliance	The used materials are compliant with the requirements of EU Directive 2011/65/EU and EU Regulation 2015/863 as well as UKSI 2022 No. 622 with amendments							
Stroke length	25...7620 mm (1...300 in.)/RH5-J: 25...5900 mm (1...232 in.)							

Technical data “Mechanical mounting” and “Electrical connection” on [page 98](#)

7/ With standard one shot of 16 µs

8/ Sensor with standard settings

9/ With position magnet # 251 416-2

<b>Mechanical mounting</b>	
Mounting position	Any
Mounting instruction	Please consult the technical drawings on <a href="#">page 25</a> and <a href="#">page 26</a>
<b>Electrical connection</b>	
Connection type	1 × M16 male connector (7 pin), 1 × M12 male connector (8 pin) or cable outlet
Operating voltage	+12...30 VDC ±20 % (9.6...36 VDC); the RH5 sensors must be power supplied via an external Class 2 power source in accordance with the UL approval
Power consumption	1.2 W typical
Dielectric strength	500 VDC (DC ground to machine ground)
Polarity protection	Up to -36 VDC
Overvoltage protection	Up to 36 VDC

### 8.3 Technical data of Temposonics® RM5

Output								
Interface	SSI (Synchronous Serial Interface) – differential signal in SSI standard (RS-485/RS-422)							
Data format	Binary or gray							
Data length	8...32 bit							
Data transmission rate	70 kBaud <sup>10</sup> ...1 MBaud, depending on cable length:							
	Cable length	< 3 m	< 50 m	< 100 m	< 200 m	< 400 m		
	Baud rate	1 MBd	< 400 kBd	< 300 kBd	< 200 kBd	< 100 kBd		
Measured value	Position or velocity, position and temperature in the sensor electronics housing							
Measurement parameters								
Resolution: Position	0.1...100 µm (0.0001...0.1 mm)							
Resolution: Velocity	0.001 mm/s (determined over 10 measured values)							
Update rate <sup>11</sup>	Stroke length	25 mm	300 mm	750 mm	1000 mm	2000 mm	7615 mm	
	Update rate	10 kHz	3.4 kHz	2.7 kHz	2.1 kHz	1.2 kHz	0.3 kHz	
Linearity deviation <sup>12</sup>	Stroke length	≤ 400 mm	> 400 mm					
	Linearity deviation	≤ ±40 µm	< ±0.01 % F.S.					
	Optional internal linearization: Linearity tolerance (applies for the first magnet for differential measurement)							
	Stroke length	25...300 mm	300...600 mm	600...1200 mm				
	Typical	± 15 µm	± 20 µm	± 25 µm				
	Maximum	± 25 µm	± 30 µm	± 50 µm				
Repeatability	< ±0.001 % F.S. (minimum ±2.5 µm) typical							
Hysteresis	< 4 µm typical							
Temperature coefficient	< 15 ppm/K typical							
Operating conditions								
Operating temperature	-40...+85 °C (-40...+185 °F)							
Humidity	100 % relative humidity, no condensation							
Ingress protection	IP68 (3 m/180 d)/IP69							
Shock test	100 g/6 ms, IEC standard 60068-2-27							
Vibration test	10 g/10...2000 Hz, IEC 60068-2-6 (excluding resonant frequencies)							
EMC test	Electromagnetic emission according to EN 61000-6-3							
	Electromagnetic immunity according to EN 61000-6-2							
	The RM5 sensors fulfill the requirements of the EMC directives 2014/30/EU and UKSI 2016 No. 1091							
Operating pressure	350 bar (5076 psi)/700 bar (10,153 psi) peak (at 10 × 1 min) for sensor rod							
Magnet movement velocity	Any							
Design/Material								
Sensor electronics housing	Stainless steel 1.4404 (AISI 316L)							
Sensor flange	Stainless steel 1.4404 (AISI 316L)							
Sensor rod	Stainless steel 1.4404 (AISI 316L)							
RoHS compliance	The used materials are compliant with the requirements of EU Directive 2011/65/EU and EU Regulation 2015/863 as well as UKSI 2022 No. 622 with amendments							
Stroke length	25...7615 mm (1...299.8 in.)							

Technical data “Mechanical mounting” and “Electrical connection” on [page 100](#)

<sup>10</sup>/With standard one shot of 16 µs

<sup>11</sup>/Sensor with standard settings

<sup>12</sup>/With position magnet # 251 416-2

<b>Mechanical mounting</b>	
Mounting position	Any
Mounting instruction	Please consult the technical drawing on <a href="#">page 28</a>
<b>Electrical connection</b>	
Connection type	Cable outlet
Operating voltage	+12...30 VDC $\pm$ 20 % (9.6...36 VDC); the RM5 sensors must be power supplied via an external Class 2 power source in accordance with the UL approval
Power consumption	1.2 W typical
Dielectric strength	500 VDC (DC ground to machine ground)
Polarity protection	Up to -36 VDC
Overvoltage protection	Up to 36 VDC

## 8.4 Technical data of Temposonics® RF5

Output								
Interface	SSI (Synchronous Serial Interface) – differential signal in SSI standard (RS-485/RS-422)							
Data format	Binary or gray							
Data length	8...32 bit							
Data transmission rate	70 kBaud <sup>13</sup> ...1 MBaud, depending on cable length:							
	Cable length	< 3 m	< 50 m	< 100 m	< 200 m	< 400 m		
	Baud rate	1 MBd	< 400 kBd	< 300 kBd	< 200 kBd	< 100 kBd		
Measured value	Position or velocity, position and temperature in sensor electronics housing							
Measurement parameters								
Resolution: Position	0.1...100 µm (0.0001...0.1 mm)							
Resolution: Velocity	0.001 mm/s (determined over 10 measured values)							
Update rate <sup>14</sup>	Stroke length	300 mm	750 mm	1000 mm	2000 mm	7620 mm	10,000 mm	20,000 mm
	Update rate	3.4 kHz	2.7 kHz	2.1 kHz	1.2 kHz	0.3 kHz	0.25 kHz	0.125 kHz
Linearity deviation <sup>15</sup>	< ±0.02 % F.S. (minimum ±100 µm)							
Repeatability	< ±0.001 % F.S. (minimum ±2.5 µm) typical							
Hysteresis	< 4 µm typical							
Temperature coefficient	< 15 ppm/K typical							
Operating conditions								
Operating temperature	–40...+85 °C (–40...+185 °F)							
Humidity	90 % relative humidity, no condensation							
Ingress protection	IP68 (connectors and flange correctly fitted)							
Shock test	100 g/6 ms, IEC standard 60068-2-27 (when guided in a support tube, e.g. sensor rod HD/HL/HP)							
Vibration test	5 g/10...2000 Hz, IEC standard 60068-2-6 (excluding resonant frequencies) (when guided in a support tube, e.g. sensor rod HD/HL/HP)							
EMC test	Electromagnetic emission according to EN 61000-6-3							
	Electromagnetic immunity according to EN 61000-6-2							
	With EMC-compliant installation, the RF5 sensors fulfill the requirements of EMC directives 2014/30/EU and UKSI 2016 No. 1091. <sup>16</sup>							
Magnet movement velocity	Any							
Design/Material								
Sensor electronics housing	Aluminum (painted), zinc die-cast							
Sensor flange	Stainless steel 1.4305 (AISI 303)							
Sensor rod	Stainless steel conduit with PU coating							
RoHS compliance	The used materials are compliant with the requirements of EU Directive 2011/65/EU and EU Regulation 2015/863 as well as UKSI 2022 No. 622 with amendments							
Stroke length	150...20,000 mm (6...787 in.)							
Mechanical mounting								
Mounting position	Any							
Mounting instruction	Please consult the technical drawings on <a href="#">page 30</a> and <a href="#">page 31</a>							

Technical data “Electrical connection” on [page 102](#)

<sup>13</sup>/With standard one shot of 16 µs

<sup>14</sup>/Sensor with standard settings

<sup>15</sup>/With position magnet # 251 416-2

<sup>16</sup>/The flexible sensor element must be mounted in an appropriately shielded environment

<b>Electrical connection</b>	
Connection type	1 × M16 male connector (7 pin) or 1 × M12 male connector (8 pin) or cable outlet
Operating voltage	+12...30 VDC ±20 % (9.6...36 VDC); the RF5 sensors must be power supplied via an external Class 2 power source in accordance with the UL approval
Power consumption	1.2 W typical
Dielectric strength	500 VDC (DC ground to machine ground)
Polarity protection	Up to -36 VDC
Overvoltage protection	Up to 36 VDC

## 8.5 Technical data of Temposonics® RFV

Output								
Interface	SSI (Synchronous Serial Interface) – differential signal in SSI standard (RS-485/RS-422)							
Data format	Binary or gray							
Data length	8...32 bit							
Data transmission rate	70 kBaud <sup>17</sup> ...1 MBaud, depending on cable length:							
	Cable length	< 3 m	< 50 m	< 100 m	< 200 m	< 400 m		
	Baud rate	1 MBd	< 400 kBd	< 300 kBd	< 200 kBd	< 100 kBd		
Measured value	Position or velocity, position and temperature in the sensor electronics housing							
Measurement parameters								
Resolution: Position	0.1...100 µm (0.0001...0.1 mm)							
Resolution: Velocity	0.001 mm/s (determined over 10 measured values)							
Update rate <sup>18</sup>	Stroke length	300 mm	750 mm	1000 mm	2000 mm	7620 mm	10,000 mm	20,000 mm
	Update rate	3.4 kHz	2.7 kHz	2.1 kHz	1.2 kHz	0.3 kHz	0.25 kHz	0.125 kHz
Linearity deviation <sup>19</sup>	< ±0.02 % F.S. (minimum ±100 µm)							
Repeatability	< ±0.001 % F.S. (minimum ±2.5 µm) typical							
Hysteresis	< 4 µm typical							
Temperature coefficient	< 15 ppm/K typical							
Operating conditions								
Operating temperature	–40...+85 °C (–40...+185 °F)							
Humidity	90 % relative humidity, no condensation							
Ingress protection	IP30 (IP65 rating only for professional mounted guide pipe and if mating connectors are correctly fitted)							
Shock test	100 g/6 ms, IEC standard 60068-2-27							
Vibration test	5 g/10...2000 Hz, IEC standard 60068-2-6 (excluding resonant frequencies)							
EMC test	Electromagnetic emission according to EN 61000-6-3							
	Electromagnetic immunity according to EN 61000-6-2							
	With EMC-compliant installation, the RFV sensors fulfill the requirements of the EMC directives 2014/30/EU and UKSI 2016 No. 1091. <sup>20</sup>							
Magnet movement velocity	Any							
Design/Material								
Sensor electronics housing	Aluminum (painted), zinc die-cast							
Sensor flange	Stainless steel 1.4305 (AISI 303)							
Sensor rod	Stainless steel conduit with PTFE coating							
RoHS compliance	The used materials are compliant with the requirements of EU Directive 2011/65/EU and EU Regulation 2015/863 as well as UKSI 2022 No. 622 with amendments							
Stroke length	150...20,000 mm (6...787 in.)							
Mechanical mounting								
Mounting position	Any							
Mounting instruction	Please consult the technical drawings on <a href="#">page 35</a> and <a href="#">page 36</a>							

Technical data “Electrical connection” on [page 104](#)

<sup>17</sup>/With standard one shot of 16 µs

<sup>18</sup>/Sensor with standard settings

<sup>19</sup>/With position magnet # 251 416-2

<sup>20</sup>/The flexible sensor element must be mounted in an appropriately shielded environment

<b>Electrical connection</b>	
Connection type	1 × M16 male connector (7 pin) or 1 × M12 male connector (8 pin) or cable outlet
Operating voltage	+12...30 VDC ±20 % (9.6...36 VDC); the RFV sensors must be power supplied via an external Class 2 power source in accordance with the UL approval
Power consumption	1.2 W typical
Dielectric strength	500 VDC (DC ground to machine ground)
Polarity protection	Up to -36 VDC
Overvoltage protection	Up to 36 VDC

## 8.6 Technical data of Temposonics® RD5

Output							
Interface	SSI (Synchronous Serial Interface) – differential signal in SSI standard (RS-485/RS-422)						
Data format	Binary or gray						
Data length	8...32 Bit						
Data transmission rate	70 kBaud <sup>21</sup> ...1 MBaud, depending on cable length:						
	Cable length	< 3 m	< 50 m	< 100 m	< 200 m	< 400 m	
	Baud rate	1 MBd	< 400 kBd	< 300 kBd	< 200 kBd	< 100 kBd	
Measured value	Position or velocity/position and temperature in the sensor electronics housing						
Measurement parameters							
Resolution: Position	0.1...100 µm (0.0001...0.1 mm)						
Resolution: Velocity	0.001 mm/s (determined over 10 measured values)						
Update rate <sup>22</sup>	Stroke length	25 mm	300 mm	750 mm	1000 mm	2000 mm	5080 mm
	Update rate	10 kHz	3.4 kHz	2.7 kHz	2.1 kHz	1.2 kHz	0.5 kHz
Linearity deviation <sup>23, 24</sup>	Stroke length	≤ 400 mm	> 400 mm				
	Linearity deviation	≤ ±40 µm	< ±0.01 % F.S.				
Repeatability	< ±0.001 % F.S. (minimum ±2.5 µm) typical						
Hysteresis	< 4 µm typical						
Temperature coefficient	< 15 ppm/K typical						
Operating conditions							
Operating temperature	Sensor electronics housing: -40...+85 °C (-40...+185 °F) Sensor rod with »J« type cable: -40...+120 °C (-40...+248 °F) (for stroke lengths up to 2540 mm (100 in.) and up to 105 °C (221 °F) for longer stroke lengths) Sensor rod with »K« type cable: -40...+85 °C (-40...+185 °F) Sensor rod with »W« type single wires: -40...+85 °C (-40...+185 °F)						
Humidity	90% relative humidity, no condensation						
Ingress protection	Sensor electronics housing: IP67 (with correctly mounted housing and connectors) Sensor rod with »J« or »K« type cable: IP67/IP69K Connector »G« or »S« type: IP67 (correctly mated), Connector »E« type: IP30 Sensor rod with »W« type single wires: IP67 Connector »W« type: IP67 (correctly mounted)						
Shock test	150 g/11 ms, IEC standard 60068-2-27						
Vibration test	30 g/10...2000 Hz, IEC standard 60068-2-6 (excluding resonant frequencies)						
EMC test	Electromagnetic emission according to EN 61000-6-3 Electromagnetic immunity according to EN 61000-6-2 With EMC-compliant installation, the RD5 sensors fulfill the requirements of the EMC directives 2014/30/EU and UKSI 2016 No. 1091. <sup>25</sup>						
Operating pressure	350 bar (5076 psi)/700 bar (10,153 psi) peak (at 10 × 1 min) for sensor rod						
Magnet movement velocity	Any						

Technical data “Design/Material”, “Mechanical mounting” and “Electrical connection” on [page 106](#)

<sup>21</sup>/With standard one shot of 16 µs

<sup>22</sup>/Sensor with standard settings

<sup>23</sup>/With position magnet # 251 416-2

<sup>24</sup>/For rod style »S« the linearity deviation can be higher in the first 30 mm (1.2 in.) of stroke length

<sup>25</sup>/The cable between the sensor element and the sensor electronics housing must be mounted in an appropriately shielded environment

<b>Design/Material</b>	
Sensor electronics housing	Aluminum (painted), zinc die cast
Sensor rod with flange	Stainless steel 1.4301 (AISI 304)
RoHS compliance	The used materials are compliant with the requirements of EU Directive 2011/65/EU and EU Regulation 2015/863 as well as UKSI 2022 No. 622 with amendments
Stroke length	25...2540 mm (1...100 in.) for pressure-fit flange »S« 25...5080 mm (1...200 in.) for all threaded flanges
<b>Mechanical mounting</b>	
Mounting position	Any
Mounting instruction	Please consult the technical drawings on <a href="#">page 40</a> , <a href="#">page 42</a> and <a href="#">page 43</a>
<b>Electrical connection</b>	
Connection type	1 × M16 male connector (7 pin) or 1 × M12 male connector (8 pin) or cable outlet
Operating voltage	+12...30 VDC ±20 % (9.6...36 VDC); the RD5 sensors must be power supplied via an external Class 2 power source in accordance with the UL approval
Power consumption	1.2 W typical
Dielectric strength	500 VDC (DC ground to machine ground)
Polarity protection	Up to -36 VDC
Overvoltage protection	Up to 36 VDC

## 8.7 Technical data of Temposonics® RDV

Output								
Interface	SSI (Synchronous Serial Interface) – differential signal in SSI standard (RS-485/RS-422)							
Data format	Binary or gray							
Data length	8...32 Bit							
Data transmission rate	70 kBaud <sup>26</sup> ...1 MBaud, depending on cable length:							
	Cable length	< 3 m	< 50 m	< 100 m	< 200 m	< 400 m		
	Baud rate	1 MBd	< 400 kBd	< 300 kBd	< 200 kBd	< 100 kBd		
Measured value	Position or velocity, position and temperature in the sensor electronics housing							
Measurement parameters								
Resolution: Position	0.1...100 µm (0.0001...0.1 mm)							
Resolution: Velocity	0.001 mm/s (determined over 10 measured values)							
Update rate <sup>27</sup>	Stroke length	25 mm	300 mm	750 mm	1000 mm	2000 mm	5080 mm	
	Update rate	10 kHz	3.4 kHz	2.7 kHz	2.1 kHz	1.2 kHz	0.5 kHz	
Linearity deviation <sup>28, 29</sup>	Stroke length	≤ 400 mm	> 400 mm					
	Linearity deviation	≤ ±40 µm	< ±0.01 % F.S.					
	Optional internal linearization: Linearity tolerance (applies for the first magnet for differential measurement)							
	Stroke length	25...300 mm	300...600 mm	600...1200 mm				
	Typical	± 15 µm	± 20 µm	± 25 µm				
	Maximum	± 25 µm	± 30 µm	± 50 µm				
Repeatability	< ±0.001 % F.S. (minimum ±2.5 µm) typical							
Hysteresis	< 4 µm typical							
Temperature coefficient	< 15 ppm/K typical							
Operating conditions								
Operating temperature	-40...+85 °C (-40...+185 °F)							
Humidity	90 % relative humidity, no condensation							
Ingress protection	Sensor electronics: IP67 (with professional mounted housing and connectors) Measuring rod with connecting cable for side cable entry: IP65 Measuring rod with single wires and flat connector with bottom cable entry: IP30							
Shock test	100 g/11 ms, IEC standard 60068-2-27							
Vibration test	10 g/10...2000 Hz, IEC standard 60068-2-6 (excluding resonant frequencies)							
EMC test	Electromagnetic emission according to EN 61000-6-3 Electromagnetic immunity according to EN 61000-6-2 With EMC-compliant installation, the RDV sensors fulfill the requirements of the EMC directives 2014/30/EU and UKSI 2016 No. 1091. <sup>30</sup>							
Operating pressure	350 bar (5076 psi)/700 bar (10,153 psi) peak (at 10 × 1 min) for sensor rod							
Magnet movement velocity	Any							
Design/Material								
Sensor electronics housing	Aluminum (painted), zinc die-cast							
Sensor rod with flange	Stainless steel 1.4301 (AISI 304)							
RoHS compliance	The used materials are compliant with the requirements of EU Directive 2011/65/EU and EU Regulation 2015/863 as well as UKSI 2022 No. 622 with amendments							
Stroke length	25...2540 mm (1...100 in.) for pressure-fit flange »S« 25...5080 mm (1...200 in.) for all threaded flanges							

Technical data “Mechanical mounting” and “Electrical connection” on [page 108](#)

<sup>26</sup>/With standard one shot of 16 µs

<sup>27</sup>/Sensor with standard settings

<sup>28</sup>/With position magnet # 251 416-2

<sup>29</sup>/For rod style »S« the linearity deviation can be higher in the first 30 mm (1.2 in.) of stroke length

<sup>30</sup>/The cable between the sensor element and the sensor electronics housing must be mounted in an appropriately shielded environment

<b>Mechanical mounting</b>	
Mounting position	Any
Mounting instruction	Please consult the technical drawings on <a href="#">page 55</a> , <a href="#">page 56</a> and <a href="#">page 57</a>
<b>Electrical connection</b>	
Connection type	1 × M16 male connector (7 pin) oder 1 × M12 male connector (8 pin) or cable outlet
Operating voltage	+12...30 VDC ±20 % (9.6...36 VDC); the RDV sensors must be power supplied via an external Class 2 power source in accordance with the UL approval
Power consumption	1.2 W typical
Dielectric strength	500 VDC (DC ground to machine ground)
Polarity protection	Up to -36 VDC
Overvoltage protection	Up to 36 VDC

## 9. Appendix I – Safety Declaration

Dear Customer,

If you return one or several sensors for checking or repair, we need you to sign a safety declaration. The purpose of this declaration is to ensure that the returned items do not contain residues of harmful substances and/or that people handling these items will not be in danger.

Temposonics order code: \_\_\_\_\_ Sensor model(s): \_\_\_\_\_

Serial number(s): \_\_\_\_\_ Stroke length(s): \_\_\_\_\_

**The sensor has been in contact with the following materials:**

Do not specify chemical formulas.  
 Please include safety data sheets of the substances, if applicable.

In the event of suspected penetration of substances into the sensor,  
 consult Temposonics to determine measures to be taken before  
 shipment.

**Short description of malfunction:**

**Corporate information**

Company: \_\_\_\_\_

Address: \_\_\_\_\_

\_\_\_\_\_

**Contact partner**

Phone: \_\_\_\_\_

Fax: \_\_\_\_\_

Email: \_\_\_\_\_

We hereby certify that the measuring equipment has been cleaned and neutralized.  
 Equipment handling is safe. Personnel exposure to health risks during transport and repair is excluded.

Stamp

Signature

Date

**Temposonics, LLC** Tel. +1 919 677-0100  
 3001 Sheldon Drive Fax +1 (919) 677-0200  
 Cary, N.C. 27513 info.us@temposonics.com  
 United States www.temposonics.com

**Temposonics GmbH & Co.KG** Tel. +49 2351/95 87-0  
 Auf dem Schüffel 9 Fax. +49 2351/56 49 1  
 58513 Lüdenscheid info.de@temposonics.com  
 Germany www.temposonics.com



## 11. Glossary

### A

#### Alarm

The alarm bit is set by the sensor if the sensor detects more magnets (extra magnet) or less magnets (magnet status error) than configured.

#### Asynchronous mode

In asynchronous mode the position data is continuously updated inside the sensor as quickly as the sensor's measurement cycle will allow, independent of the controller. The controller's loop time will determine when the sensor's most recent data is clocked out over the SSI interface. (→ Synchronous mode)

### D

#### Differential measurement

For differential measurement, the distance between the two position magnets is output as a value.

### E

#### Extrapolation

The native measurement cycle time of a sensor increases with the stroke length. With extrapolation, the sensor is able to report data faster than the native cycle time, independent of the stroke length of the sensor. Without extrapolation, if data is requested faster than the native cycle time, the last measured value is repeated.

### F

#### FIR filter

The FIR filter (**F**inite **I**mpulse **R**esponse) is used to smooth the measured position value before output. To determine the output value, only input values corresponding to the window (filter window size) are used for filter calculation. The output value is calculated from these input values in the form of a moving average value. (→ IIR Filter)

### I

#### IIR filter

The IIR filter (**I**nfinite **I**mpulse **R**esponse) is used to smooth the measured position value before output. To determine the output value, the input values corresponding to the filter grade (filter window size) are used for the filter calculation. The previous values are also taken into account when calculating the output value. (→ FIR Filter)

#### Internal linearization

The internal linearization offers an improved linearity for an overall higher accuracy of the position measurement. The internal linearization is set for the sensor during production.

### M

#### Measuring direction

When moving the position magnet, the position and velocity values increase in the measuring direction.

- Forward: Values increasing from sensor electronics housing to rod end/profile end
- Reverse: Values decreasing from sensor electronics housing to rod end/profile end

### P

#### Parity

The parity bit is a check bit that is added to a bit string to detect transmission errors. There are even parity and odd parity. With even parity, the parity bit is set so that the total number of 1-bits in the bit string including the parity bit is even. In case of odd parity, the total number of 1-bits in the bit sequence including the parity bit is odd. Even parity is implemented in the R-Series V SSI.

### R

#### Resolution and data length depending on stroke length

The stroke length of the sensor influences the choice of resolution and data length. The resolution (step size) and data length (number of steps) must be selected so that the stroke length is covered. For example, with a data width of 24 bit and a resolution of 0.5 µm for an RH5 sensor the maximum stroke length of 7620 mm can be represented. You can adjust the resolution and the data length of the R-Series V SSI via the TempoLink® and TempoGate® smart assistants.

### S

#### Synchronous Serial Interface

SSI (**S**ynchronous **S**erial **I**nterface) is a digital interface where the data is transferred serially. The interface of R-Series V SSI corresponds to SSI industry standard for absolute encoders. Its displacement value is encoded in a 24/25/26 bit binary or gray format and transmitted as a differential signal in SSI standard (RS-485/RS-422).

#### Synchronous mode

In synchronous mode the measurement and output of the sensor is matched to the data request cycle of the controller. The synchronous mode minimizes the time delay between measurement and output. The synchronous mode is required for sophisticated motion control applications. (→ Asynchronous mode)

##### • Synchronous mode 1

Using synchronous mode 1, the sensor determines the controller's loop timing and when data is being requested. The sensor then determines when to start the next measurement cycle so that it will complete just in time to deliver the freshest data possible.

##### • Synchronous mode 2

If new position data is required faster than the sensor's measurement cycle time, synchronous mode 2 provides extrapolated data values, calculated on the fly. A measurement value will be calculated and output to the controller whenever the sensor has not yet completed the next measurement cycle.

##### • Synchronous mode 3

Synchronous mode 3 provides an extrapolation to the high speed update feature of synchronous mode 2. For this mode all measurements values which are output are calculated to fully compensate for the inherent lag time due to the sensor's measurement cycle. (→ Extrapolation)

### T

#### Temperature in the sensor electronics housing

The temperature in the sensor electronics housing is measured in °C. With this option, the transmitted data word has a length of 32 bits, with the highest 8 bits representing the temperature value, followed by 24 bits for the position value. The temperature value is coded in the same format as the position value.

**UNITED STATES**  
**Temposonics, LLC**  
Americas & APAC Region  
3001 Sheldon Drive  
Cary, N.C. 27513  
Phone: +1 919 677-0100  
E-mail: [info.us@temposonics.com](mailto:info.us@temposonics.com)

---

**GERMANY**  
**Temposonics**  
**GmbH & Co. KG**  
EMEA Region & India  
Auf dem Schüffel 9  
58513 Lüdenscheid  
Phone: +49 2351 9587-0  
E-mail: [info.de@temposonics.com](mailto:info.de@temposonics.com)

---

**ITALY**  
Branch Office  
Phone: +39 030 988 3819  
E-mail: [info.it@temposonics.com](mailto:info.it@temposonics.com)

---

**FRANCE**  
Branch Office  
Phone: +33 6 14 060 728  
E-mail: [info.fr@temposonics.com](mailto:info.fr@temposonics.com)

---

**UK**  
Branch Office  
Phone: +44 79 21 83 05 86  
E-mail: [info.uk@temposonics.com](mailto:info.uk@temposonics.com)

---

**SCANDINAVIA**  
Branch Office  
Phone: +46 70 29 91 281  
E-mail: [info.sca@temposonics.com](mailto:info.sca@temposonics.com)

---

**CHINA**  
Branch Office  
Phone: +86 21 3405 7850  
E-mail: [info.cn@temposonics.com](mailto:info.cn@temposonics.com)

---

**JAPAN**  
Branch Office  
Phone: +81 3 6416 1063  
E-mail: [info.jp@temposonics.com](mailto:info.jp@temposonics.com)

---

**Document Part Number:**  
552011 Revision G (EN) 04/2026



**temposonics.com**