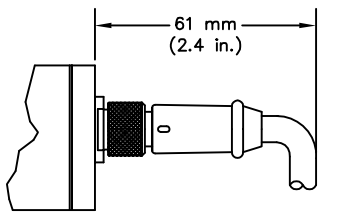
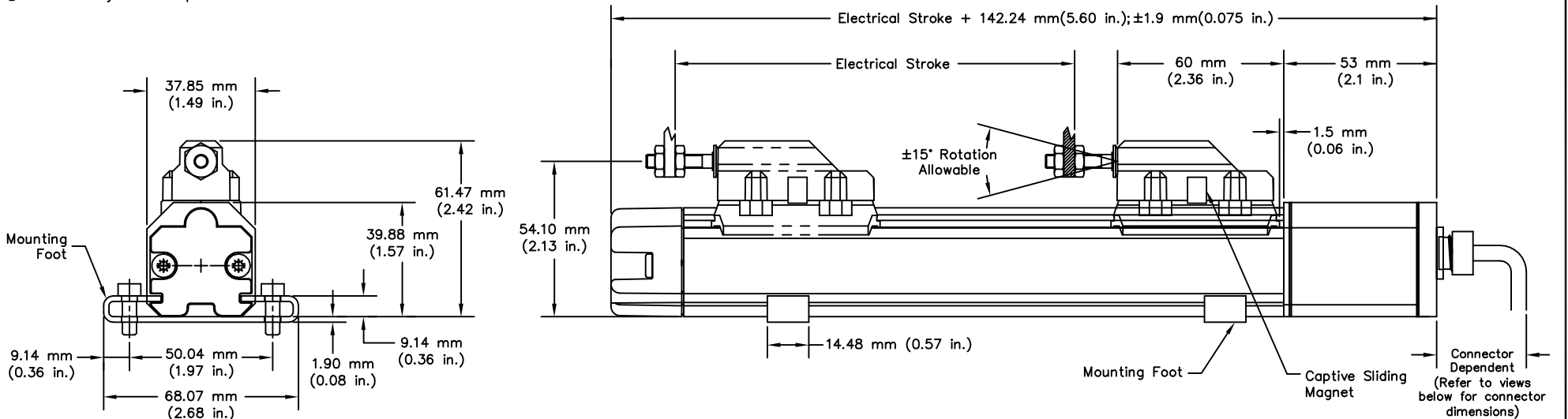
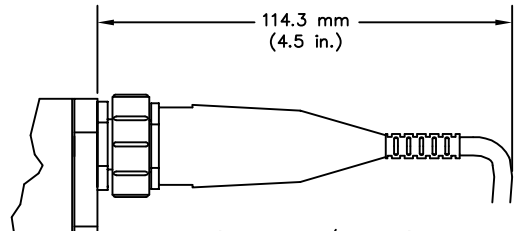


# LP CAPTIVE SLIDING MAGNET

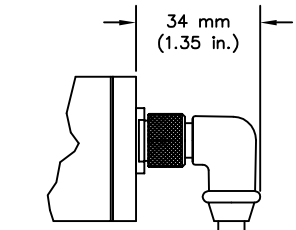
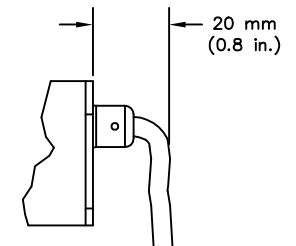
Temposonics® sensors are a registered trademark of MTS Systems Corporation  
 © 1998 MTS Systems Corporation



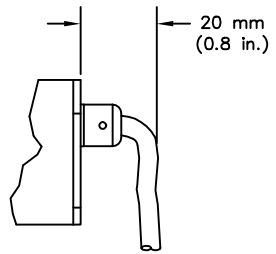
RG Connector w/Straight Exit  
 RG Mating Connector



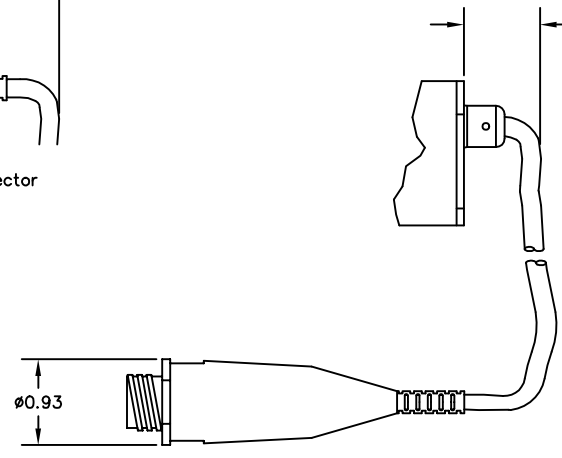
Integral Connector w/Mating Connector



RG Connector w/90°  
 RA Mating Connector



7 ft. Cable w/Pigtail



7 ft. Cable w/Connector

A	12/02/98	3720	
REV.	DATE	ECO #	
TITLE			
L-Series Captive Slide			
Profile Style			
Model Type LP			
DWG NO.	901000	SHEET 1	OF 1
			REV A